

THE INFORMATION CONTAINED HEREIN IS CONSIDERED "PROPRIETARY" TO BEL FUSE INC. AND SHALL NOT BE COPIED, REPRODUCED OR DISCLOSED WITHOUT THE WRITTEN APPROVAL OF BEL FUSE INC.

LED1 POLARITY			LED2 POLARITY		
PIN 13	PIN 14	COLOR	PIN 11	PIN 12	COLOR
+	-	YELLOW	+	-	GREEN



ELECTRICAL CHARACTERISTICS @ 25°C

URNS RATIO

(P3-P2):(J2-J1)	1CT : 1CT ±3%
(P5-P4):(J6-J3)	1CT : 1CT ±3%
(P7-P6):(J5-J4)	1CT : 1CT ±3%
(P9-P8):(J8-J7)	1CT : 1CT ±3%

QCL @ 100kHz/100mVRMS

8mA DC BIAS 350uH MIN.

INS. LOSS

100KHz TO 100MHz -1.1 dB MAX

RET. LOSS (MIN)

1MHz-30MHz -18 dB MIN.
30MHz-80MHz -12+20LOG(f/80MHz) dB

CROSS TALK:

1MHz - 60MHz -35 dB MIN
60MHz - 100MHz -25 dB MIN

CM TO CM REJ

1MHz - 100MHz -35 dB MIN

CM TO DM REJ

100kHz - 100MHz -35 dB MIN

HIPOT (Isolation Voltage):

1500 Vrms

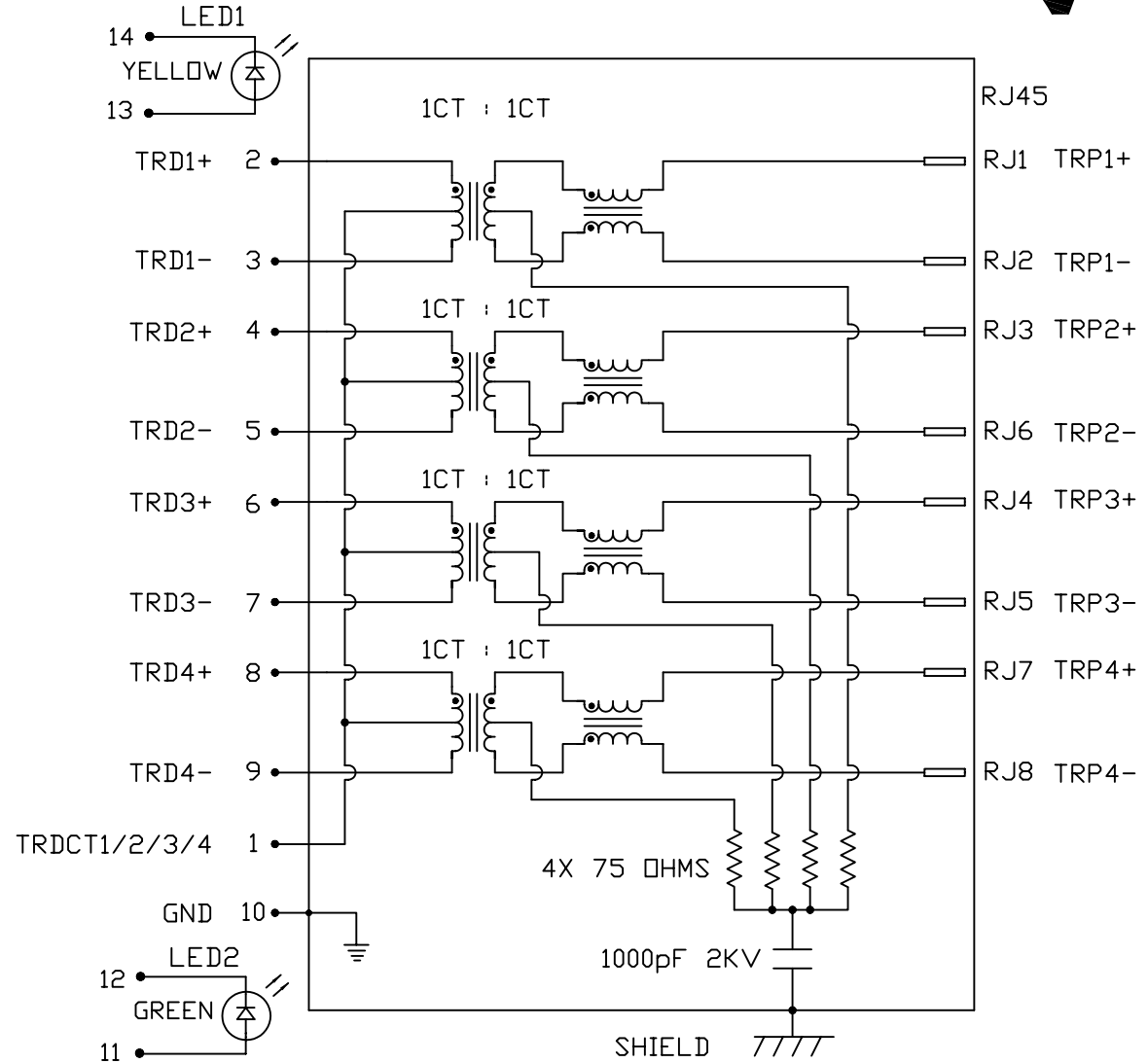
100% OF PRODUCTION TESTED TO COMPLY WITH IEEE 802.3 ISOLATION REQUIREMENTS.

LED 1

V_F (FORWARD VOLTAGE) IF=20mA YELLOW 2.1V TYP.
λ_D (DOMINANT WAVELENGTH) IF=20mA YELLOW 590nm TYP.

LED 2

V_F (FORWARD VOLTAGE) IF=20mA GREEN 2.2V TYP.
λ_D (DOMINANT WAVELENGTH) IF=20mA GREEN 565nm TYP.



ORIGINATED BY	DATE	TITLE	PART NO. / DRAWING NO.	STANDARD DIM. TOL. IN INCH	[] METRIC DIM. AS REFERENCE
CHOW WANCHUNG	10-20-09	Gigabit MagJack® WITH LED PATENTED	SI-61012-F	.X	UNIT : INCH [mm] REV. : PA
DRAWN BY	DATE			FILE NAME	.XX
LEE WEI DE	10-20-09		SI-61012-F_PA.DWG	.XXX	PAGE : 2

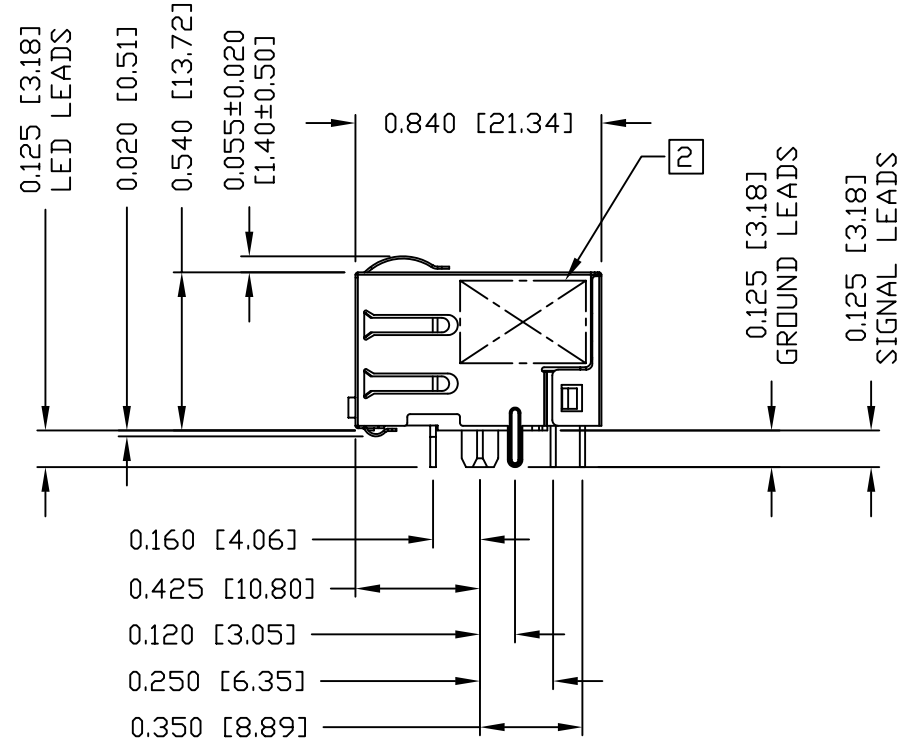
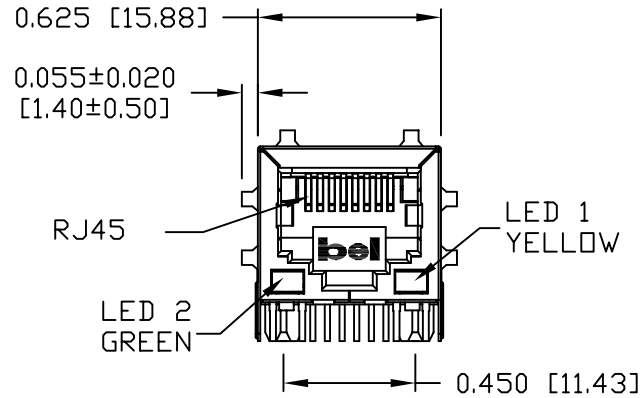
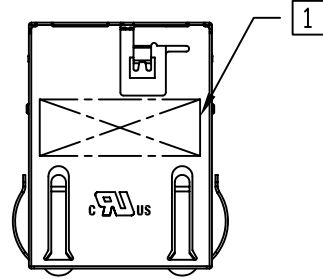


THE INFORMATION CONTAINED HEREIN IS CONSIDERED "PROPRIETARY" TO BEL FUSE INC. AND SHALL NOT BE COPIED, REPRODUCED OR DISCLOSED WITHOUT THE WRITTEN APPROVAL OF BEL FUSE INC.

RoHS
2002/95/EC



PRELIMINARY



NOTES:

- PLASTIC HOUSING: THERMOPLASTIC PBT
FLAMMABILITY RATING UL 94V-0
- CONTACTS PLATING: 50 MICRO-INCH HARD GOLD PLATING
- PINS: TIN-COATED COPPER WIRE, DIA 0.018 INCH.
- METAL SHIELD: NICKEL PLATED ON COPPER ALLOY.
(ALL GROUND LEADS ARE SOLDER DIPPED)

- 1 MARK PART WITH MFG PART NUMBER(SI-61012-F), DATE CODE AND PATENTED.
- 2 MARK PART WITH MFG LOGO, MFG NAME.
- 3. JACK CAVITY CONFORMS TO FCC RULES AND REGULATIONS
- 4. RoHS COMPLIANCE, PER EU DIRECTIVE 2002/95/EC.
- 5. THE PRODUCT IS PATENTED, THE PATENT NUMBER IS U.S. PAT. 5,736,910.

UL RECOGNIZED - FILE #E132408.

ORIGINATED BY CHEN BILL	DATE 10-20-09	TITLE Gigabit MagJack® WITH LED PATENTED	PART NO. / DRAWING NO. SI-61012-F		STANDARD DIM. TOL. IN INCH		[] METRIC DIM. AS REFERENCE	
			FILE NAME SI-61012-F_PA.DWG	.X .XX .XXX	±0.010	UNIT : INCH [mm]	REV. : PA	
DRAWN BY LIU QIN	DATE 10-20-09					SCALE : N/A	SIZE : A4	PAGE : 3

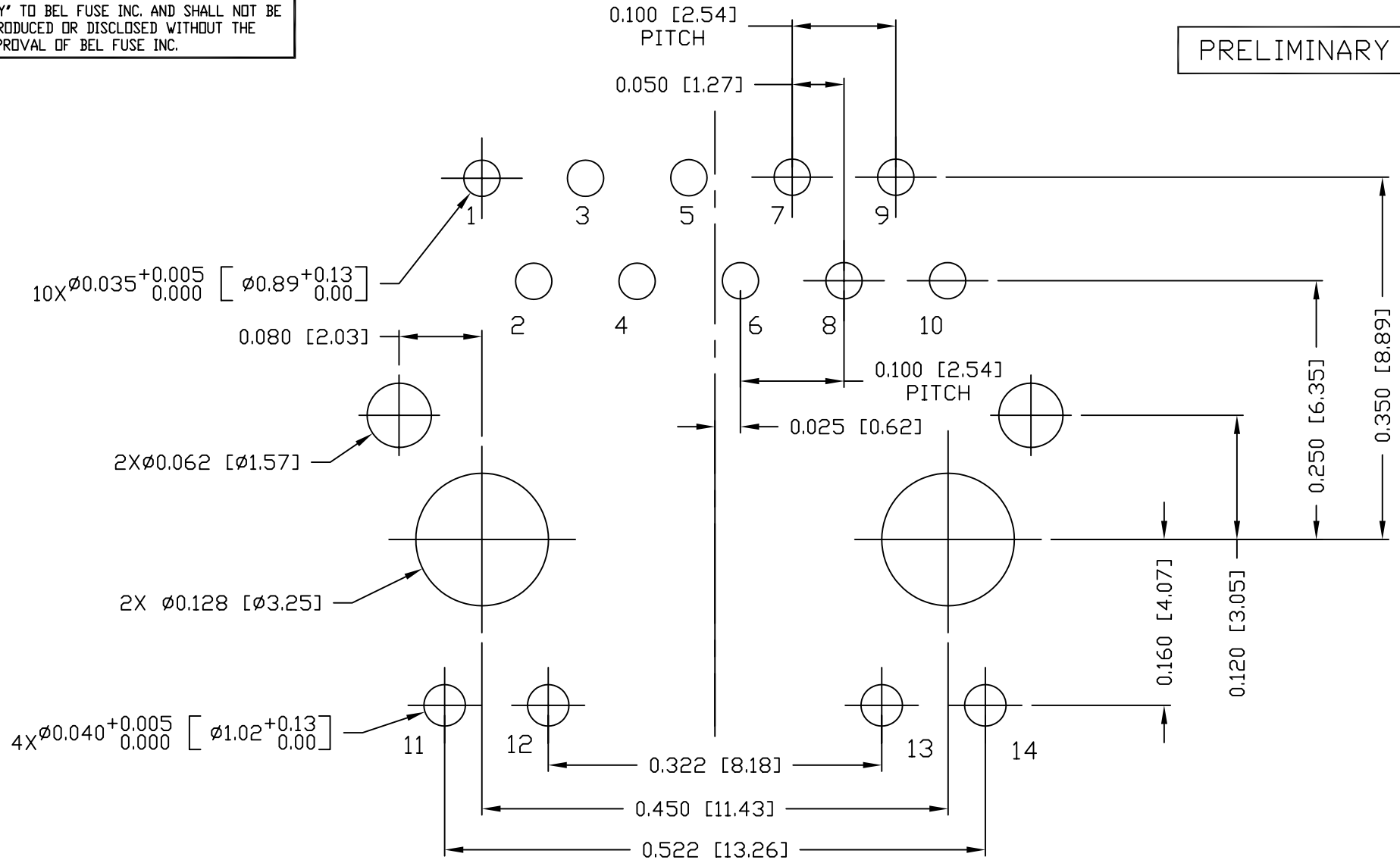


THE INFORMATION CONTAINED HEREIN IS CONSIDERED "PROPRIETARY" TO BEL FUSE INC. AND SHALL NOT BE COPIED, REPRODUCED OR DISCLOSED WITHOUT THE WRITTEN APPROVAL OF BEL FUSE INC.

RoHS
2002/95/EC



PRELIMINARY



RECOMMENDED PCB FOOTPRINT
COMPONENT SIDE VIEW

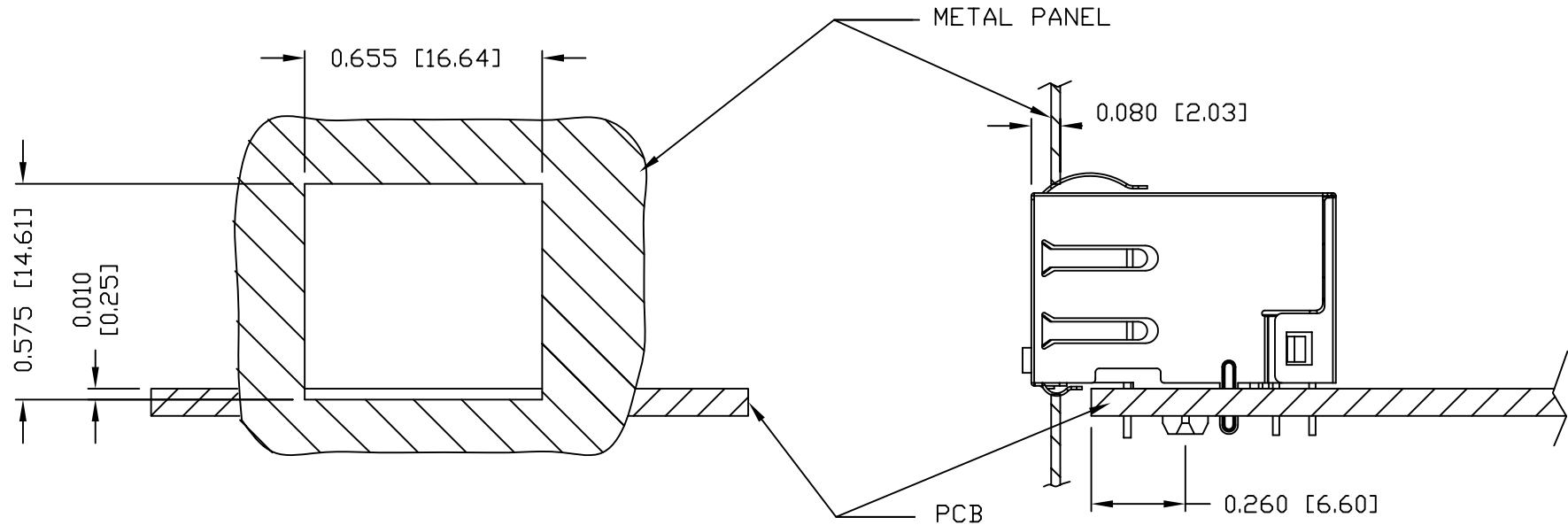
ORIGINATED BY CHEN BILL	DATE 10-20-09	TITLE Gigabit MagJack® WITH LED PATENTED	PART NO. / DRAWING NO. SI-61012-F		STANDARD DIM. TOL. IN INCH		[] METRIC DIM. AS REFERENCE		bel
			FILE NAME SI-61012-F_PA.DWG		.X		UNIT : INCH [mm]	REV. : PA	
DRAWN BY LIU QIN	DATE 10-20-09				.XX		SCALE : N/A	SIZE : A4	COMPONENTS FOR A CONNECTED PLANET
					.XXX	±0.004		PAGE : 4	

THE INFORMATION CONTAINED HEREIN IS CONSIDERED "PROPRIETARY" TO BEL FUSE INC. AND SHALL NOT BE COPIED, REPRODUCED OR DISCLOSED WITHOUT THE WRITTEN APPROVAL OF BEL FUSE INC.

PRELIMINARY



SUGGESTED PANEL OPENING



NOTES:

THE DISTANCE OF PANEL INSIDE SURFACE RELATIVE TO FRONT SURFACE OF PART IS ONLY A SUGGESTION. IN CASE THIS DISTANCE IS DIFFERENT, THE REQUIRED PANEL OPENING DIMENSIONS CHANGE ACCORDINGLY.

PACKING INFORMATION

PACKING TRAY : 0200-9999-Q7 (TOP)
0200-9999-Q8 (BOTTOM)

PACKING QUANTITY : 80 PCS FINISHED GOODS PER TRAY
10 TRAYS (800 PCS FINISHED GOODS) PER CARTON BOX

NOTE : CARDBOARDS ARE PLACED BETWEEN LAYERS OF PACKING TRAY INSIDE CARTON BOX
(INCLUDE THE UPPERMOST AND LOWERMOST TRAY)

ORIGINATED BY CHEN BILL	DATE 10-20-09	TITLE Gigabit MagJack® WITH LED PATENTED	PART NO. / DRAWING NO. SI-61012-F		STANDARD DIM. TOL. IN INCH		[] METRIC DIM. AS REFERENCE		bel
			FILE NAME SI-61012-F_PA.DWG		.X		UNIT : INCH [mm]	REV. : PA	
DRAWN BY LIU QIN	DATE 10-20-09				.XX		SCALE : N/A	SIZE : A4	COMPONENT FOR A CONNECTED PLANET
					.XXX	±0.004		PAGE : 5	