



Features

- E6 series optional
- Unit height of 5.5 mm
- Current up to 5 A
- J-hook leads
- Lead free version available (see How to Order)
- Lead free versions are RoHS compliant*

Applications

- Input/output of DC/DC converters
- Power supplies for:
 - Portable communication equipment
 - Camcorders
 - LCD TVs
 - Car radios

BOURNS®

SRR1205 Series - Shielded High Power Inductors

Electrical Specifications

Bourns Part No.	Inductance 1kHz		Q Ref.	Test Frequency (MHz)	SRF Min. (MHz)	RDC (mΩ)	I rms Max. (A)	I sat Typ. (A)
	(μH)	Tol. %						
SRR1205-2R5M_	2.5	± 20	18	7.96M	27.0	24	5.00	10.00
SRR1205-3R3M_	3.3	± 20	20	7.96M	25.0	30	4.50	9.20
SRR1205-5R0M_	5.0	± 20	20	7.96M	21.0	35	4.00	8.20
SRR1205-7R5M_	7.5	± 20	20	7.96M	17.0	40	3.50	7.80
SRR1205-100M_	10	± 20	21	2.52M	15.0	54	3.00	6.00
SRR1205-120M_	12	± 20	20	2.52M	13.0	65	2.80	5.60
SRR1205-150M_	15	± 20	20	2.52M	11.0	70	2.70	5.30
SRR1205-180M_	18	± 20	20	2.52M	10.0	82	2.60	4.80
SRR1205-220M_	22	± 20	19	2.52M	9.0	95	2.40	4.60
SRR1205-270M_	27	± 20	18	2.52M	8.0	120	2.00	4.00
SRR1205-330M_	33	± 20	18	2.52M	8.0	145	1.80	3.50
SRR1205-390M_	39	± 20	18	2.52M	7.5	160	1.65	3.20
SRR1205-500Y_	50	± 15	18	2.52M	7.0	200	1.50	2.80
SRR1205-560Y_	56	± 15	18	2.52M	7.0	240	1.40	2.50
SRR1205-680Y_	68	± 15	17	2.52M	6.5	280	1.30	2.40
SRR1205-750Y_	75	± 15	17	2.52M	6.0	330	1.20	2.20
SRR1205-101K_	100	± 10	12	0.796M	5.0	400	1.00	2.00
SRR1205-121K_	120	± 10	10	0.796M	4.5	500	0.90	1.60
SRR1205-151K_	150	± 10	10	0.796M	4.0	580	0.80	1.50
SRR1205-181K_	180	± 10	9	0.796M	3.5	750	0.70	1.40
SRR1205-221K_	220	± 10	9	0.796M	3.0	840	0.65	1.30
SRR1205-271K_	270	± 10	9	0.796M	2.5	1000	0.60	1.00
SRR1205-331K_	330	± 10	7	0.796M	2.0	1340	0.54	0.88
SRR1205-391K_	390	± 10	7	0.796M	2.0	1500	0.50	0.80
SRR1205-471K_	470	± 10	7	0.796M	2.0	1980	0.45	0.72
SRR1205-561K_	560	± 10	6	0.796M	1.5	2200	0.40	0.65
SRR1205-681K_	680	± 10	6	0.796M	1.5	2400	0.35	0.60
SRR1205-821K_	820	± 10	5	0.796M	1.0	3000	0.30	0.57

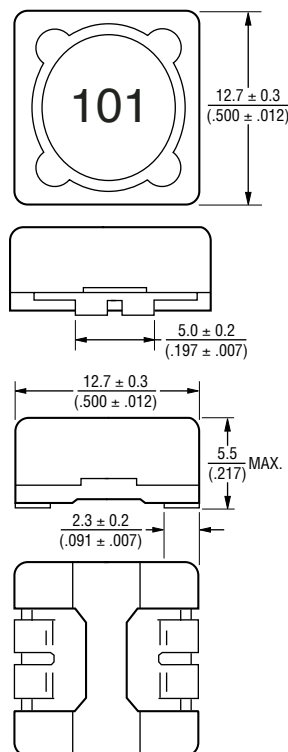
General Specifications

Test Voltage 1 V
 Reflow Soldering 230 °C, 50 sec. max.
 Operating Temperature .. -40 °C to +125 °C
 (Temperature rise included)
 Storage Temperature .. -40 °C to +125 °C
 Resistance to Soldering Heat
 260 °C for 5 sec.

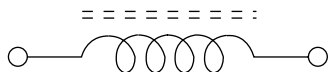
Materials

Core Ferrite DR and RI core
 Wire Enameled copper
 Base LCP E4008
 Terminal See How to Order
 Rated Current
 Ind. drop 10 % typ. at Isat
 Temperature Rise
 40 °C max. at rated I rms
 Packaging 600 pcs. per reel

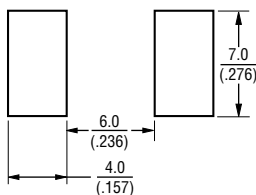
Product Dimensions



Electrical Schematic



Recommended Layout



How to Order

SRR1205 - 100M

Model _____
 Value/Tolerance: from table _____
 Termination _____
 L = Cu/Ni/Sn
 Blank = Cu/Ni/SnPb

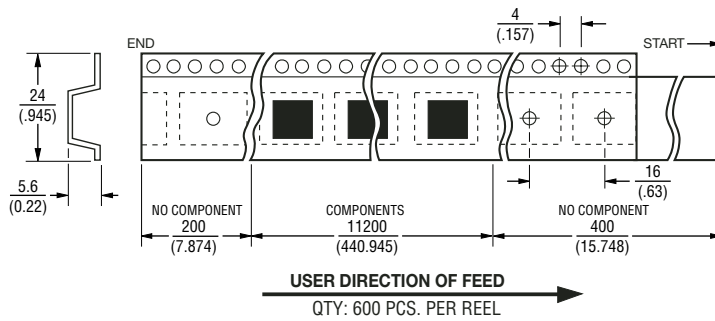
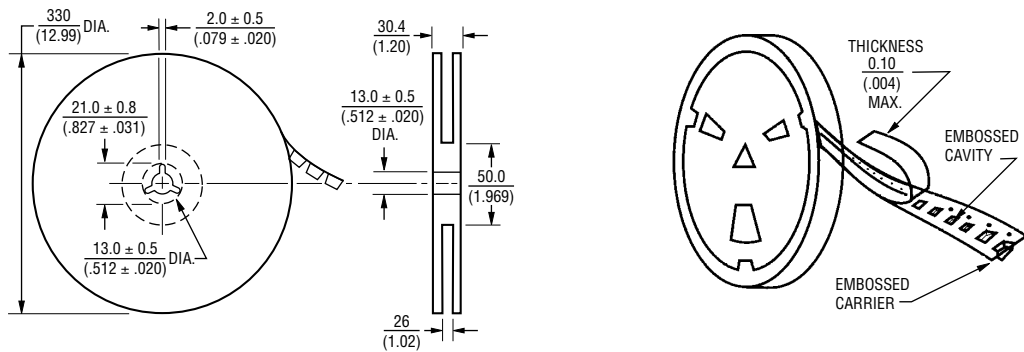
DIMENSIONS: $\frac{\text{MM}}{\text{(INCHES)}}$

*RoHS Directive 2002/95/EC Jan 27 2003 including Annex
 Specifications are subject to change without notice.
 Customers should verify actual device performance in their specific applications.

SRR1205 Series - Shielded High Power Inductors

BOURNS®

Packaging Specifications



DIMENSIONS: $\frac{\text{MM}}{\text{(INCHES)}}$