

Male connectors, straight

Identification	Number of contacts	Contact arrangement*	Part number
5.4 SU male connector with press-in termination	6.0 mm	78	7 07 05 711 7015 07 05 711 8015
		126	6 07 05 611 7015 07 05 611 8015
		200	4 07 05 411 7015 07 05 411 8015
		250	1 07 05 111 7016 07 05 111 8016
	14.0 mm	78	7 07 05 712 7015 07 05 712 8015
		126	6 07 05 612 7015 07 05 612 8015
		200	4 07 05 412 7015 07 05 412 8015
		250	1 07 05 112 7015 07 05 112 8015
	17.75 mm	78	7 07 05 713 7015 07 05 713 8015
		126	6 07 05 613 7015 07 05 613 8015
		200	4 07 05 413 7015 07 05 413 8015
		250	1 07 05 113 7015 07 05 113 8015
	21.5 mm	78	7 07 05 714 7015 07 05 714 8015
		126	6 07 05 614 7015 07 05 614 8015
		200	4 07 05 414 7015 07 05 414 8015
		250	1 07 05 114 7015 07 05 114 8015

har-pak

* Contact arrangements see page 09.03



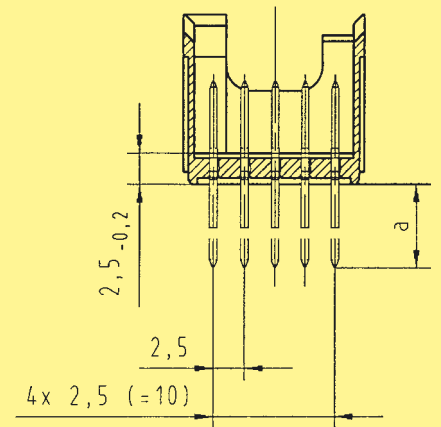
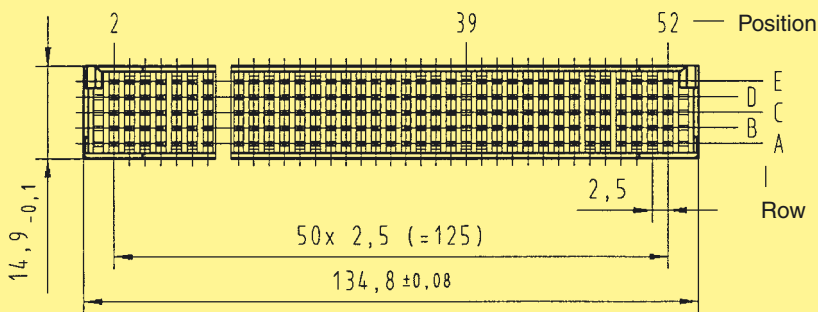
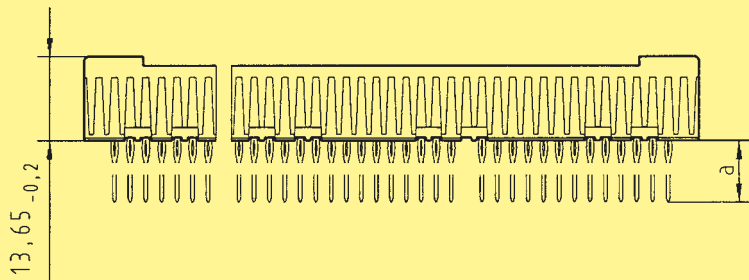
Male connectors, straight

Drawing

Dimensions in mm

Connector dimensions [mm]

a
6.00
14.00
17.75
21.50



(View magnified)

Board drillings

