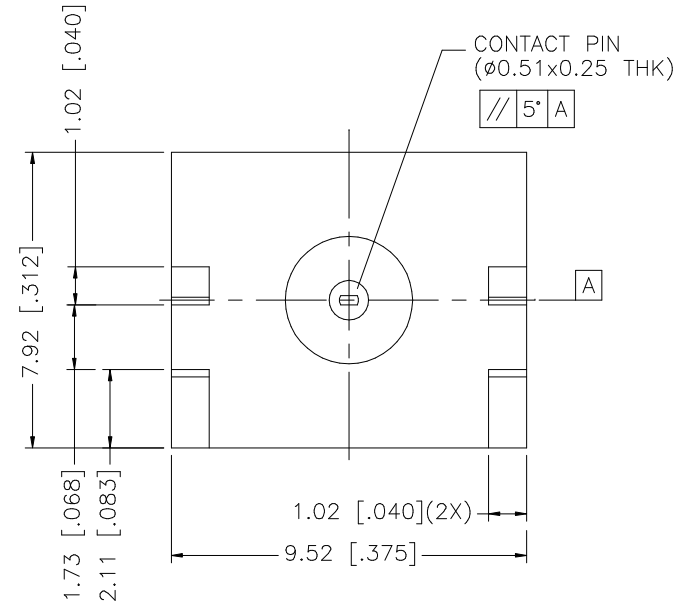
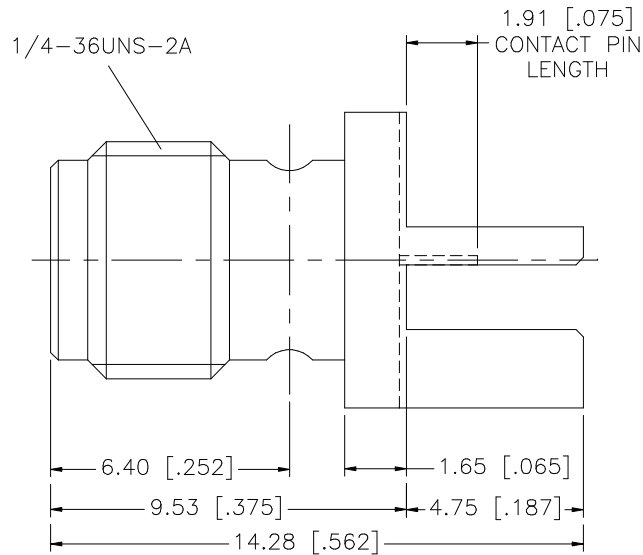


REV.	DATE	DESCRIPTION
A	09/16/03	MODIFY CONTACT PIN LENGTH



NOTE:
1. MAX. BOARD THICKNESS = 1.57mm

8					<small>UNLESS OTHERWISE SPECIFIED DIMENSIONS ARE IN MILLIMETERS. DIMENSIONS IN [] ARE IN INCHES AND FOR CUSTOMER REFERENCE ONLY.</small> <small>UNLESS OTHERWISE SPECIFIED TOLERANCES FOR MILLIMETERS ARE: 0.5 - 8mm ± 0.20mm 8 - 30mm ± 0.40mm 30 - 120mm ± 0.50mm</small> <small>UNLESS OTHERWISE SPECIFIED TOLERANCES FOR INCHES ARE: .020 - .315 = ± 0.007" .315 - 1.180 = ± 0.015" 1.180 - 4.724 = ± 0.020"</small>	APPROVALS	DATE	<h1 style="color: blue; margin: 0;">Amphenol Connex</h1>				
7						DRAWN	G.R.S.					09/16/03
6						CHECKED			PART DESCRIPTION			
5						ISSUED			SMA END LAUNCH RECEPTACLE JACK (TAB CONTACT)			
4						SHEET	1 OF 1					
3	CONTACT PIN	BER. COPPER	GOLD	1				PART NO.				
2	INSULATOR	TEFLON	NATURAL	1				132357				
1	BODY	BRASS	GOLD	1				DWG. NO.				
	DESCRIPTION	MATERIAL	FINISH	QTY	DO NOT SCALE DRAWING	CAD FILE		C:/132/132357.DWG	132157.DWG	REV. A	SIZE A	SCALE NA

Mouser Electronics

Authorized Distributor

Click to View Pricing, Inventory, Delivery & Lifecycle Information:

[Amphenol:](#)

[132357](#)