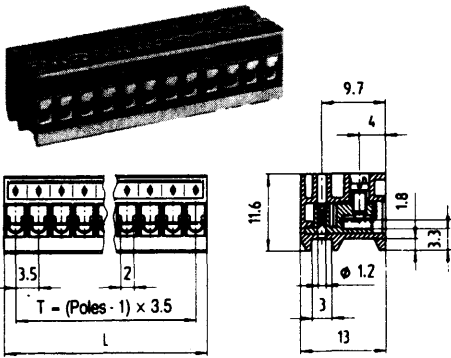


Type 8543 Two-Piece Terminal Strips 1.0mm²

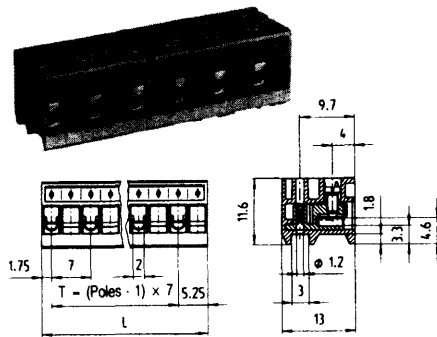
3.5 mm Connector



Wire strip length: 5 mm

poles	part no	L	T
	marked		
2	25.600.5253.0	7.0	3.5
3	25.600.5353.0	10.5	7.0
4	25.600.5453.0	14.0	10.5
	unmarked		
5	25.600.5553.0	17.5	14.0
6	25.600.5653.0	21.0	17.5
7	25.600.5753.0	24.5	21.0
8	25.600.5853.0	28.0	24.5
9	25.600.5953.0	31.5	28.0
10	25.600.6053.0	35.0	31.5
11	25.600.6153.0	38.5	35.0
12	25.600.6253.0	42.0	38.5
13	25.600.6353.0	45.5	42.0
14	25.600.6453.0	49.0	45.5
15	25.600.6553.0	52.5	49.0
16	25.600.6653.0	56.0	52.5
17	25.600.6753.0	59.5	56.0
18	25.600.6853.0	63.0	59.5
19	25.600.6953.0	66.5	63.0
20	25.600.7053.0	70.0	66.5
21	25.600.7153.0	73.5	70.0
22	25.600.7253.0	77.0	73.5
23	25.600.7353.0	80.5	77.0
24	25.600.7453.0	84.0	80.5

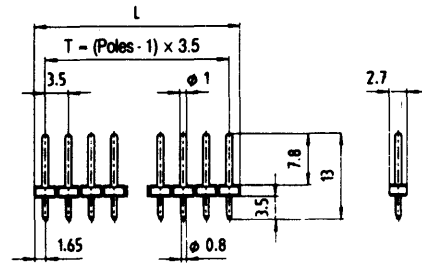
7 mm Connector



Wire strip length: 5 mm

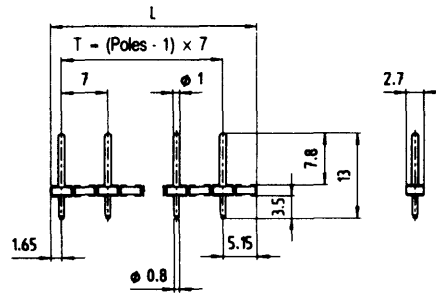
poles	part no	L	T
	marked		
2	25.601.3253.0	14	7
3	25.601.3353.0	21	14
4	25.601.3453.0	28	21
	unmarked		
5	25.601.3553.0	35	28
6	25.601.3653.0	42	35
7	25.601.3753.0	49	42
8	25.601.3853.0	56	49
9	25.601.3953.0	63	56
10	25.600.4053.0	70	63
11	25.600.4153.0	77	70
12	25.600.4253.0	84	77

Straight Pin Strip



poles	part no	Diameter	Diameter
		0.8 mm/1.0mm	1.0 mm/1.0mm
2	Z5.531.0225.0	Z5.531.3225.0	
3	Z5.531.0325.0	Z5.531.3325.0	
4	Z5.531.0425.0	Z5.531.3425.0	
5	Z5.531.0525.0	Z5.531.3525.0	
6	Z5.531.0625.0	Z5.531.3625.0	
7	Z5.531.0725.0	Z5.531.3725.0	
8	Z5.531.0825.0	Z5.531.3825.0	
9	Z5.531.0925.0	Z5.531.3925.0	
10	Z5.531.1025.0	Z5.531.4025.0	
11	Z5.531.1125.0	Z5.531.4125.0	
12	Z5.531.1225.0	Z5.531.4225.0	
13	Z5.531.1325.0	Z5.531.4325.0	
14	Z5.531.1425.0	Z5.531.4425.0	
15	Z5.531.1525.0	Z5.531.4525.0	
16	Z5.531.1625.0	Z5.531.4625.0	
17	Z5.531.1725.0	Z5.531.4725.0	
18	Z5.531.1825.0	Z5.531.4825.0	
19	Z5.531.1925.0	Z5.531.4925.0	
20	Z5.531.2025.0	Z5.531.5025.0	
21	Z5.531.2125.0	Z5.531.5125.0	
22	Z5.531.2225.0	Z5.531.5225.0	
23	Z5.531.2325.0	Z5.531.5325.0	
24	Z5.531.2425.0	Z5.531.5425.0	

7 mm Straight Pin Strip

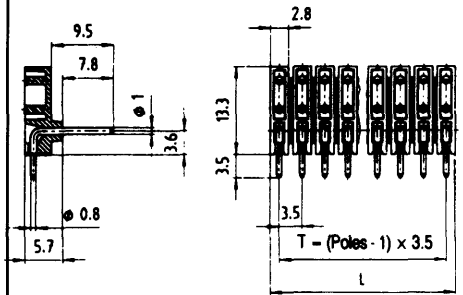


poles	part no.	solder connection pin	solder connection pin
		Diameter	Diameter
		0.8 mm/1.0mm	1.0 mm/1.0mm
2	Z5.531.6225.0	Z5.531.8225.0	
3	Z5.531.6325.0	Z5.531.8325.0	
4	Z5.531.6425.0	Z5.531.8425.0	
5	Z5.531.6525.0	Z5.531.8525.0	
6	Z5.531.6625.0	Z5.531.8625.0	
7	Z5.531.6725.0	Z5.531.8725.0	
8	Z5.531.6825.0	Z5.531.8825.0	
9	Z5.531.6925.0	Z5.531.8925.0	
10	Z5.531.7025.0	Z5.531.9025.0	
11	Z5.531.7125.0	Z5.531.9125.0	
12	Z5.531.7225.0	Z5.531.9225.0	

Type 8543 Ratings

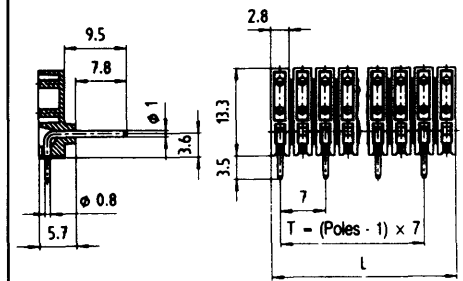
UR ratings: AWG No 22-16
300 V 10 A
CSA ratings: AWG No 22-16
300 V 10 A

Right Angle Pin Strip



poles	part no	Diameter	Diameter
		0.8 mm/1.0mm	1.0 mm/1.0mm
2	Z5.532.0225.0	Z5.532.3225.0	
3	Z5.532.0325.0	Z5.532.3325.0	
4	Z5.532.0425.0	Z5.532.3425.0	
5	Z5.532.0525.0	Z5.532.3525.0	
6	Z5.532.0625.0	Z5.532.3625.0	
7	Z5.532.0725.0	Z5.532.3725.0	
8	Z5.532.0825.0	Z5.532.3825.0	
9	Z5.532.0925.0	Z5.532.3925.0	
10	Z5.532.1025.0	Z5.532.4025.0	
11	Z5.532.1125.0	Z5.532.4125.0	
12	Z5.532.1225.0	Z5.532.4225.0	
13	Z5.532.1325.0	Z5.532.4325.0	
14	Z5.532.1425.0	Z5.532.4425.0	
15	Z5.532.1525.0	Z5.532.4525.0	
16	Z5.532.1625.0	Z5.532.4625.0	
17	Z5.532.1725.0	Z5.532.4725.0	
18	Z5.532.1825.0	Z5.532.4825.0	
19	Z5.532.1925.0	Z5.532.4925.0	
20	Z5.532.2025.0	Z5.532.5025.0	
21	Z5.532.2125.0	Z5.532.5125.0	
22	Z5.532.2225.0	Z5.532.5225.0	
23	Z5.532.2325.0	Z5.532.5325.0	
24	Z5.532.2425.0	Z5.532.5425.0	

7 mm Right Angle Pin Strip



poles	part no.	solder connection pin	solder connection pin
		Diameter	Diameter
		0.8 mm/1.0mm	1.0 mm/1.0mm
2	Z5.532.6225.0	Z5.532.8225.0	
3	Z5.532.6325.0	Z5.532.8325.0	
4	Z5.532.6425.0	Z5.532.8425.0	
5	Z5.532.6525.0	Z5.532.8525.0	
6	Z5.532.6625.0	Z5.532.8625.0	
7	Z5.532.6725.0	Z5.532.8725.0	
8	Z5.532.6825.0	Z5.532.8825.0	
9	Z5.532.6925.0	Z5.532.8925.0	
10	Z5.532.7025.0	Z5.532.9025.0	
11	Z5.532.7125.0	Z5.532.9125.0	
12	Z5.532.7225.0	Z5.532.9225.0	