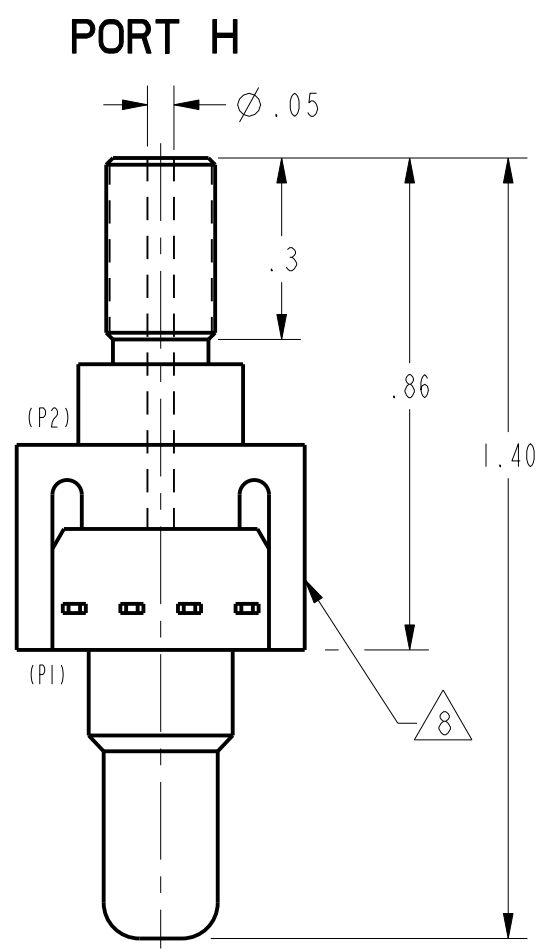
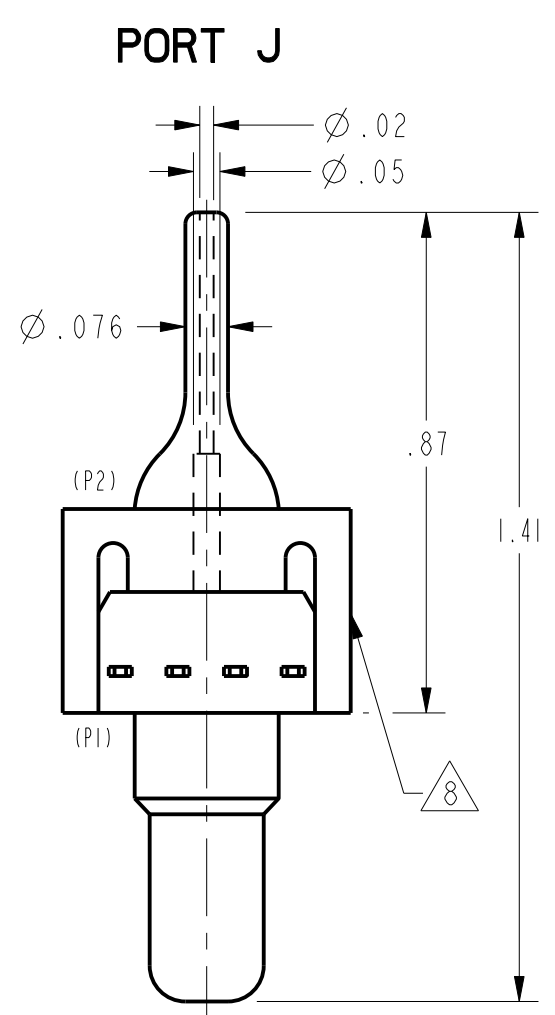


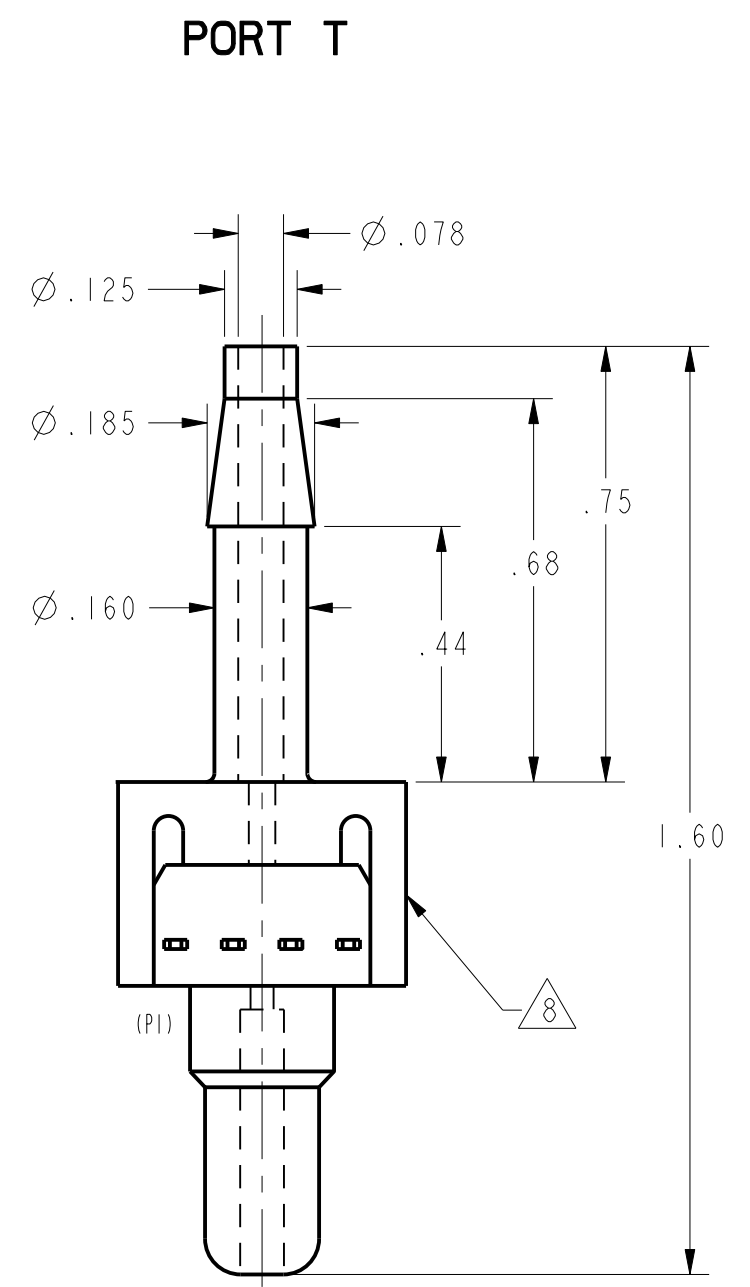
PORT A



PORT H



PORT J



PORT T

26PC -- 6D

CATALOG LISTING	LASER BRAND / 8
26PCAF6D	6AF6D
26PCDF6D	6DF6D
26PCFF6D	6FF6D
26PCCFJ6D	6CF6D
26PCBFA6D	6BF6D
26PCCF6D	6CF6D
26PCFNH6D	6FN6D
26PCFF6D	6FF6D
26PCGFA6D	6GF6D
26PCGNH6D	6GN6D
26PCBVA6D	6BV6D
26PCCVA6D	6CV6D

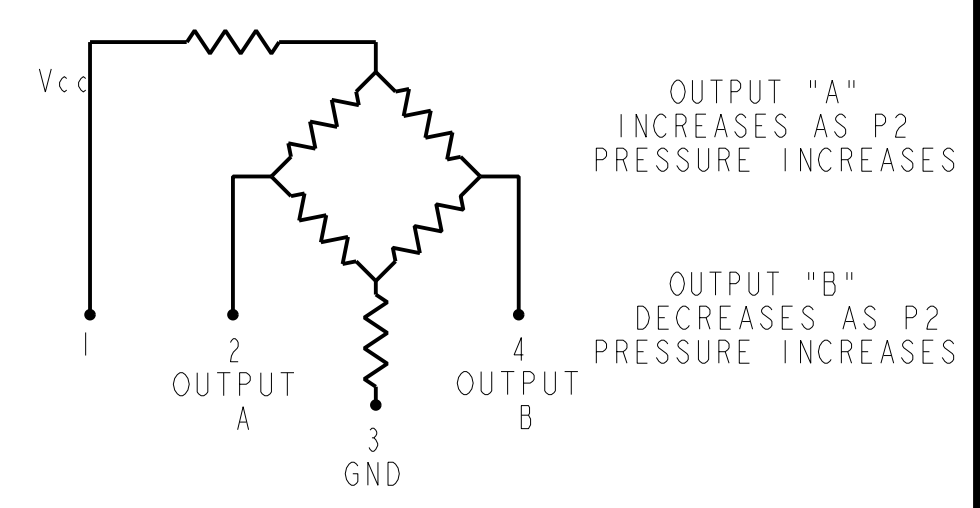
- STYLE
- (D) DIFFERENTIAL
- TERMINATION
- (6) 1 X 4 (.60 IN.)
- PORT
- (A) STRAIGHT
- (H) 5mm THREAD
- (J) SMALL NEEDLE
- (T) LONG BARBED
- SEAL
- (F) FLUOROSILICONE
- (N) NEOPRENE (70 DURO)
- (V) VITON
- PRESSURE
- (A) 1 PSI
- (B) 5 PSI
- (C) 15 PSI
- (D) 30 PSI
- (E) 100 PSI
- (G) 250 PSI

METRIC	INCHES
0.41	.016
0.51	.020
1.02	.040
1.3	.05
1.8	.07
1.93	.076
1.98	.078
2.0	.08
2.3	.09
2.5	.10
3.18	.125
4.06	.160
4.70	.185
5.1	.20
6.4	.25
7.9	.31
9.1	.36
11.2	.44
11.7	.46
12.7	.50
15.3	.60
16.5	.64
17.3	.68
19.1	.75
21.8	.86
22.1	.87
34.3	1.35
35.6	1.40
35.8	1.41
40.6	1.60

PRESSURE RANGE (PSI)	0 - 1		0 - 5		0 - 15		0 - 30		0 - 100		0-250		UNITS								
	MIN	NOM	MAX	MIN	NOM	MAX	MIN	NOM	MAX	MIN	NOM	MAX									
SPAN (P2>P1) / 1	14.7	16.7	18.7	47	50	53	97	100	103	95	100	103	95	100	105	143	150	157	mV		
NULL OFFSET	-1.5	0	+1.5	-1.5	0	+1.5	-1.5	0	+1.5	-1.5	0	+1.5	-2.0	0	+2.0	-2.0	0	+2.0	mV		
LINEARITY (BFSL, P2>P1)	TYP		MAX	TYP		MAX	TYP		MAX	TYP		MAX	TYP		MAX	TYP		MAX	UNITS		
NULL SHIFT (0 TO 25 °C, 25 TO 50 °C) / 2	±0.5		±1.0	±0.5		±1.0	±0.5		±1.0	±0.75		±1.5	±0.5		±1.0	±2.0		±1.0	±2.0	mV	
SPAN SHIFT (0 TO 25 °C, 25 TO 50 °C) P2>P1 / 2	±1.0		±2.0	±1.0		±1.5	±0.75		±1.5	±0.5		±1.5	±0.5		±1.5	±0.5		±1.5	±0.5	±1.5	%SPAN
REPEATABILITY AND HYSTERESIS	±0.5		±2.0	±0.2		±0.2	±0.2		±0.2	±0.2		±0.2	±0.2		±0.2	±0.2		±0.2	±0.2	%SPAN	
OVERPRESSURE (P2>P1; P1>P2)			20			20			45			60			200			500	PSI		
ALL PRESSURE RANGES	MIN	NOM	MAX	UNITS																	
EXCITATION VOLTAGE			10			16	VDC														
INPUT RESISTANCE			5.5K			7.5K	OHMS														
OUTPUT RESISTANCE			1.5K			2.5K	OHMS														
RESPONSE TIME						1.0	ms														
TEMPERATURE RANGES																					
STORAGE	-55 °C TO +100 °C (-67°F TO +212°F)																				
OPERATE	-40 °C TO +85 °C (-40°F TO +185°F)																				
COMPENSATED	0 TO +50 °C (+32 °F TO +122 °F)																				

- NOTES
- SPAN IS THE ALGEBRAIC DIFFERENCE BETWEEN OUTPUT AT MAXIMUM RATED OPERATING PRESSURE AND OUTPUT AT 0 PSI
  - TEMPERATURE ERROR IS CALCULATED WITH RESPECT TO 25 °C
  - INPUT MEDIA LIMITED ONLY TO THOSE MATERIALS THAT WILL NOT ATTACK SILICON, THE HOUSING MATERIAL OR SEAL MATERIAL
  - TERMINALS ARE PLATED FOR SOLDERING (LIMIT SOLDERING TO 315 °C FOR 10 SECONDS MAXIMUM)
  - PIN 1 IS IDENTIFIED BY NOTCH IN LEAD
  - SENSOR IS OPERATIONAL OVER VACUUM PRESSURE RANGE
  - RATIOMETRIC TO SUPPLY VOLTAGE
  - CATALOG LISTING AND DATE CODE HERE. ALTERNATE FORMAT OF CATALOG LISTING BRAND IS THE ENTIRE CATALOG LISTING

CIRCUIT DIAGRAM



THIRD ANGLE PROJECTION
SCALE 3 : 1
DO NOT SCALE PRINT
UNLESS OTHERWISE SPECIFIED TOLERANCES ARE
ONE PLACE (.0) +.030
TWO PLACE (.00) +.015
THREE PLACE (.000) +.005
ANGLES °
WEIGHT 2.0Z