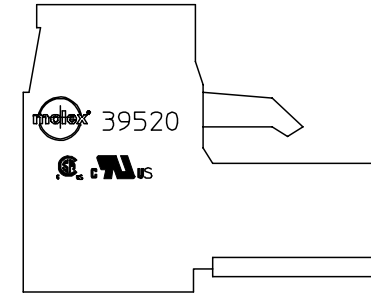
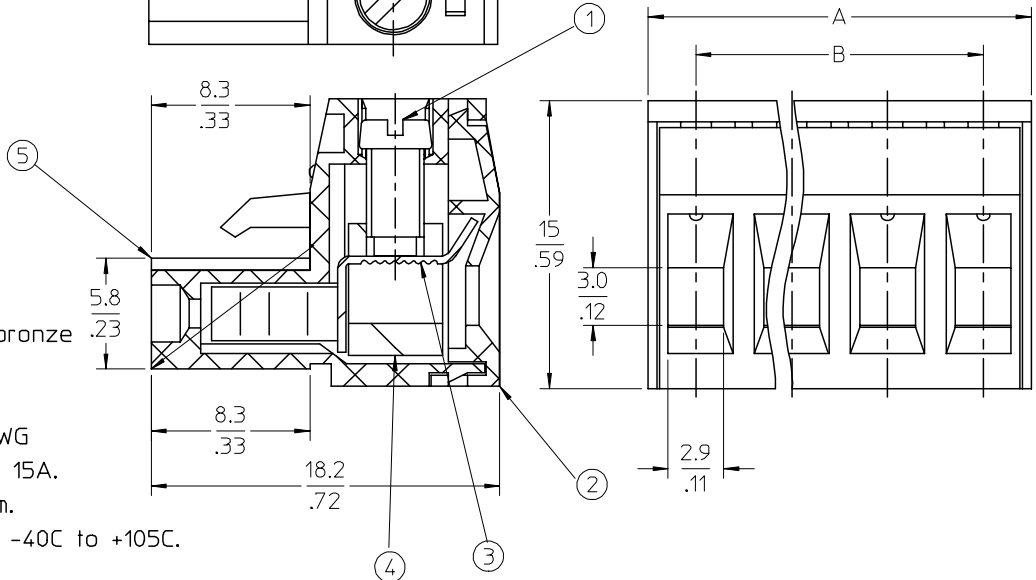
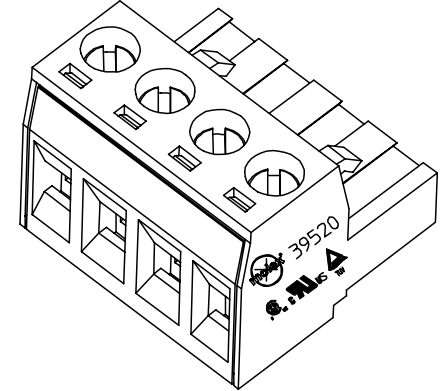
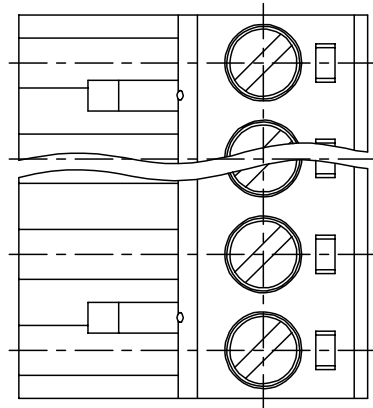


10 9 8 7 6 5 4 3 2 1

F
E
D
C
B
A



SPECIFICATIONS:

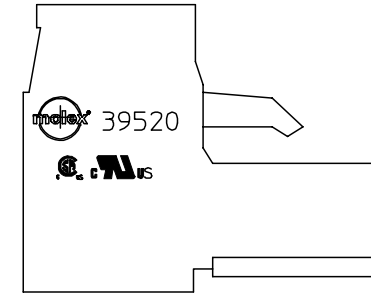
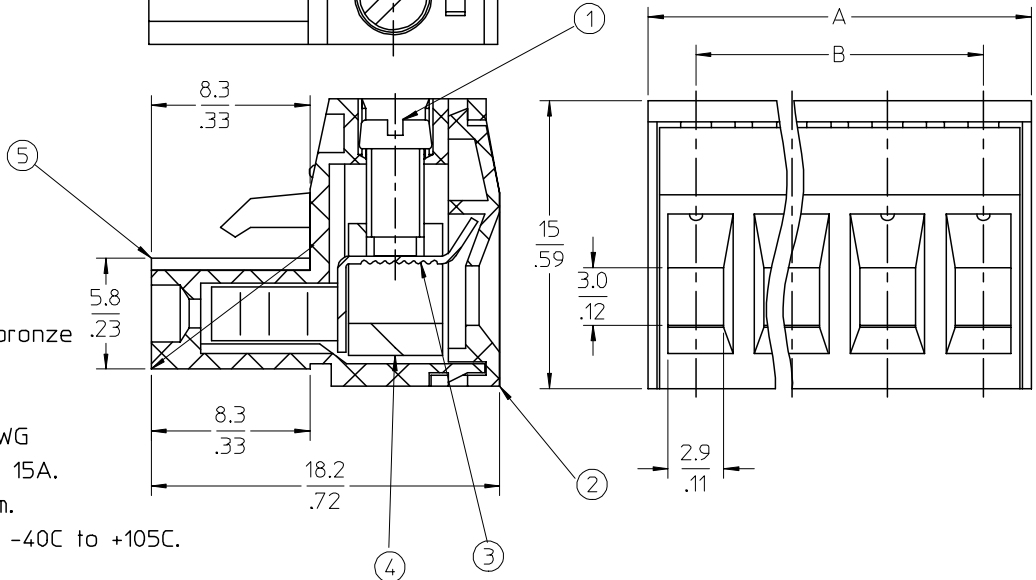
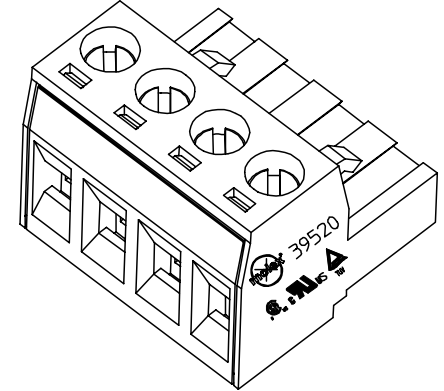
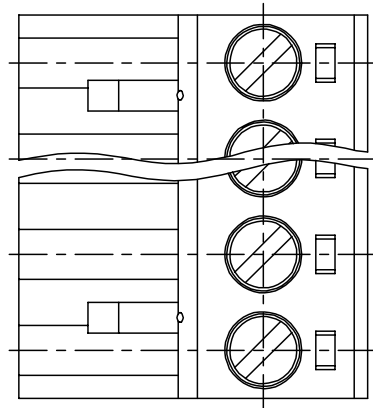
1. Material:
 - (1). Screw: Steel
 - (2). Cover: PA66
 - (3). Terminal: Phosphor bronze
 - (4). Cage: Brass
 - (5). Body: PA66
2. Wire range: 12 - 26 AWG
3. Electrical rating: 300V, 15A.
4. Wire strip length: 5.0mm.
5. Operating temperature: -40C to +105C.
6. Max torque: 5 In Lbs.
7. Insulation resistance: DC 500V, 500M.
8. Dielectric withstand: AC 2500V for 1 minute.
9. Breakdown voltage: 4000V.
10. Contact resistance: <10 m-ohms.
11. A = (N x P)
12. B = (N - 1) x P
13. P (PITCH) = 5.0mm (.197").
14. N = Number of positions available 2 through 24.

ENTER DESCRIPTION EC NO: NEO2006-0310 DRWNL: LROTHAUS 2006/01/09 CHKD: C YORK 2006/01/09 APPR: J PAMLIK 2006/01/10	QUALITY SYMBOLS ▽=0 ▽=0	GENERAL TOLERANCES (UNLESS SPECIFIED)		DIMENSION STYLE MM/IN		SCALE 4:1	DESIGN UNITS INCH	THIRD ANGLE PROJECTION	
			mm	INCH	DRAWN BY LROTHAUS	DATE 12/6/05	TITLE 5.0MM, EURO PLUG RIGHT ANGLE		
		4 PLACES	± ---	±.0015	CHECKED BY C. YORK	DATE 01/06/06			
		3 PLACES	±0.038	±.005	APPROVED BY	DATE	MATERIAL NO. DOCUMENT NO. SHEET NO.		
2 PLACES	±0.13	±.01	SEE CHART		SD-39520-001		1 OF 1		
1 PLACE	±0.3	± ---	DRAFT WHERE APPLICABLE MUST REMAIN WITHIN DIMENSIONS		THIS DRAWING CONTAINS INFORMATION THAT IS PROPRIETARY TO MOLEX INCORPORATED AND SHOULD NOT BE USED WITHOUT WRITTEN PERMISSION				
ANGULAR ± 2 °									

9 8 7 6 5 4 3 2 1

10 9 8 7 6 5 4 3 2 1

F
E
D
C
B
A



SPECIFICATIONS:

1. Material:
 - (1). Screw: Steel
 - (2). Cover: PA66
 - (3). Terminal: Phosphor bronze
 - (4). Cage: Brass
 - (5). Body: PA66
2. Wire range: 12 - 26 AWG
3. Electrical rating: 300V, 15A.
4. Wire strip length: 5.0mm.
5. Operating temperature: -40C to +105C.
6. Max torque: 5 In Lbs.
7. Insulation resistance: DC 500V, 500M.
8. Dielectric withstand: AC 2500V for 1 minute.
9. Breakdown voltage: 4000V.
10. Contact resistance: <10 m-ohms.
11. A = (N x P)
12. B = (N - 1) x P
13. P (PITCH) = 5.0mm (.197").
14. N = Number of positions available 2 through 24.

ENTER DESCRIPTION EC NO: NEO2006-0310 DRWNL: LROTHAUS 2006/01/09 CHKD: CYORK 2006/01/09 APPR: JPAMLIK 2006/01/10	DESCRIPTION QUALITY SYMBOLS ▽=0 ▽=0	GENERAL TOLERANCES (UNLESS SPECIFIED)		DIMENSION STYLE MM/IN		SCALE 4:1	DESIGN UNITS INCH	THIRD ANGLE PROJECTION	
			mm	INCH	DRAWN BY LROTHAUS	DATE 12/6/05	TITLE 5.0MM, EURO PLUG RIGHT ANGLE		
		4 PLACES	± ---	±.0015	CHECKED BY C. YORK	DATE 01/06/06			
		3 PLACES	±0.038	±.005	APPROVED BY	DATE	MATERIAL NO. SEE CHART		
2 PLACES	±0.13	±.01	ANGULAR ± 2 °		DOCUMENT NO. SD-39520-001		SHEET NO. 1 OF 1		
1 PLACE	±0.3	± ---	DRAFT WHERE APPLICABLE MUST REMAIN WITHIN DIMENSIONS		THIS DRAWING CONTAINS INFORMATION THAT IS PROPRIETARY TO MOLEX INCORPORATED AND SHOULD NOT BE USED WITHOUT WRITTEN PERMISSION				

9 8 7 6 5 4 3 2 1

10 9 8 7 6 5 4 3 2 1

Description	Circuit size	Material Numbers											Dimensional Information				
		Black						Green					Dim. A		Dim B		
		100% Tin			30 u" Gold			100% Tin			30 u" Gold						
		Printing Options			Printing Options			Printing Options			Printing Options						
None	10A	11A	None	10A	11A	None	10A	11A	None	10A	11A	mm	inch	mm	inch		
5.0mm, Euro Plug, Right Angle	2	395200002	395200102	395200202	395200502	395200602	395200702	395205002	395205102	395205202	395205502	395205602	395205702	10.00	0.394	5.00	0.197
5.0mm, Euro Plug, Right Angle	3	395200003	395200103	395200203	395200503	395200603	395200703	395205003	395205103	395205203	395205503	395205603	395205703	15.00	0.591	10.00	0.394
5.0mm, Euro Plug, Right Angle	4	395200004	395200104	395200204	395200504	395200604	395200704	395205004	395205104	395205204	395205504	395205604	395205704	20.00	0.787	15.00	0.591
5.0mm, Euro Plug, Right Angle	5	395200005	395200105	395200205	395200505	395200605	395200705	395205005	395205105	395205205	395205505	395205605	395205705	25.00	0.984	20.00	0.787
5.0mm, Euro Plug, Right Angle	6	395200006	395200106	395200206	395200506	395200606	395200706	395205006	395205106	395205206	395205506	395205606	395205706	30.00	1.181	25.00	0.984
5.0mm, Euro Plug, Right Angle	7	395200007	395200107	395200207	395200507	395200607	395200707	395205007	395205107	395205207	395205507	395205607	395205707	35.00	1.378	30.00	1.181
5.0mm, Euro Plug, Right Angle	8	395200008	395200108	395200208	395200508	395200608	395200708	395205008	395205108	395205208	395205508	395205608	395205708	40.00	1.575	35.00	1.378
5.0mm, Euro Plug, Right Angle	9	395200009	395200109	395200209	395200509	395200609	395200709	395205009	395205109	395205209	395205509	395205609	395205709	45.00	1.772	40.00	1.575
5.0mm, Euro Plug, Right Angle	10	395200010	395200110	395200210	395200510	395200610	395200710	395205010	395205110	395205210	395205510	395205610	395205710	50.00	1.969	45.00	1.772
5.0mm, Euro Plug, Right Angle	11	395200011	395200111	395200211	395200511	395200611	395200711	395205011	395205111	395205211	395205511	395205611	395205711	55.00	2.165	50.00	1.969
5.0mm, Euro Plug, Right Angle	12	395200012	395200112	395200212	395200512	395200612	395200712	395205012	395205112	395205212	395205512	395205612	395205712	60.00	2.362	55.00	2.165
5.0mm, Euro Plug, Right Angle	13	395200013	395200113	395200213	395200513	395200613	395200713	395205013	395205113	395205213	395205513	395205613	395205713	65.00	2.559	60.00	2.362
5.0mm, Euro Plug, Right Angle	14	395200014	395200114	395200214	395200514	395200614	395200714	395205014	395205114	395205214	395205514	395205614	395205714	70.00	2.756	65.00	2.559
5.0mm, Euro Plug, Right Angle	15	395200015	395200115	395200215	395200515	395200615	395200715	395205015	395205115	395205215	395205515	395205615	395205715	75.00	2.953	70.00	2.756
5.0mm, Euro Plug, Right Angle	16	395200016	395200116	395200216	395200516	395200616	395200716	395205016	395205116	395205216	395205516	395205616	395205716	80.00	3.150	75.00	2.953
5.0mm, Euro Plug, Right Angle	17	395200017	395200117	395200217	395200517	395200617	395200717	395205017	395205117	395205217	395205517	395205617	395205717	85.00	3.346	80.00	3.150
5.0mm, Euro Plug, Right Angle	18	395200018	395200118	395200218	395200518	395200618	395200718	395205018	395205118	395205218	395205518	395205618	395205718	90.00	3.543	85.00	3.346
5.0mm, Euro Plug, Right Angle	19	395200019	395200119	395200219	395200519	395200619	395200719	395205019	395205119	395205219	395205519	395205619	395205719	95.00	3.740	90.00	3.543
5.0mm, Euro Plug, Right Angle	20	395200020	395200120	395200220	395200520	395200620	395200720	395205020	395205120	395205220	395205520	395205620	395205720	100.00	3.937	95.00	3.740
5.0mm, Euro Plug, Right Angle	21	395200021	395200121	395200221	395200521	395200621	395200721	395205021	395205121	395205221	395205521	395205621	395205721	105.00	4.134	100.00	3.937
5.0mm, Euro Plug, Right Angle	22	395200022	395200122	395200222	395200522	395200622	395200722	395205022	395205122	395205222	395205522	395205622	395205722	110.00	4.331	105.00	4.134
5.0mm, Euro Plug, Right Angle	23	395200023	395200123	395200223	395200523	395200623	395200723	395205023	395205123	395205223	395205523	395205623	395205723	115.00	4.528	110.00	4.331
5.0mm, Euro Plug, Right Angle	24	395200024	395200124	395200224	395200524	395200624	395200724	395205024	395205124	395205224	395205524	395205624	395205724	120.00	4.724	115.00	4.528

SEE SHEET 1 EC NO: NEC2006-0310 DRWNL: LROTHAUS 2006/01/09 CHKDC: CYORK 2006/01/09 APPR: JPAMLIK 2006/01/10	QUALITY SYMBOLS ▽=0 ▽=0	GENERAL TOLERANCES (UNLESS SPECIFIED)		DIMENSION STYLE		SCALE	DESIGN UNITS	THIRD ANGLE PROJECTION	
				MM/IN		4:1	INCH		
				DRAWN BY DATE		TITLE			
				CHECKED BY DATE					
		APPROVED BY DATE							
		ANGULAR ± 2 °							
		DRAFT WHERE APPLICABLE MUST REMAIN WITHIN DIMENSIONS		MATERIAL NO.		DOCUMENT NO.		SHEET NO.	
				SEE CHART		SD-39520-001		2 OF 2	
				SIZE B		THIS DRAWING CONTAINS INFORMATION THAT IS PROPRIETARY TO MOLEX INCORPORATED AND SHOULD NOT BE USED WITHOUT WRITTEN PERMISSION			

9 8 7 6 5 4 3 2 1

10 9 8 7 6 5 4 3 2 1

Description	Circuit size	Material Numbers											Dimensional Information				
		Black						Green					Dim. A		Dim B		
		100% Tin			30 u" Gold			100% Tin			30 u" Gold						
		Printing Options			Printing Options			Printing Options			Printing Options						
None	10A	11A	None	10A	11A	None	10A	11A	None	10A	11A	mm	inch	mm	inch		
5.0mm, Euro Plug, Right Angle	2	395200002	395200102	395200202	395200502	395200602	395200702	395205002	395205102	395205202	395205502	395205602	395205702	10.00	0.394	5.00	0.197
5.0mm, Euro Plug, Right Angle	3	395200003	395200103	395200203	395200503	395200603	395200703	395205003	395205103	395205203	395205503	395205603	395205703	15.00	0.591	10.00	0.394
5.0mm, Euro Plug, Right Angle	4	395200004	395200104	395200204	395200504	395200604	395200704	395205004	395205104	395205204	395205504	395205604	395205704	20.00	0.787	15.00	0.591
5.0mm, Euro Plug, Right Angle	5	395200005	395200105	395200205	395200505	395200605	395200705	395205005	395205105	395205205	395205505	395205605	395205705	25.00	0.984	20.00	0.787
5.0mm, Euro Plug, Right Angle	6	395200006	395200106	395200206	395200506	395200606	395200706	395205006	395205106	395205206	395205506	395205606	395205706	30.00	1.181	25.00	0.984
5.0mm, Euro Plug, Right Angle	7	395200007	395200107	395200207	395200507	395200607	395200707	395205007	395205107	395205207	395205507	395205607	395205707	35.00	1.378	30.00	1.181
5.0mm, Euro Plug, Right Angle	8	395200008	395200108	395200208	395200508	395200608	395200708	395205008	395205108	395205208	395205508	395205608	395205708	40.00	1.575	35.00	1.378
5.0mm, Euro Plug, Right Angle	9	395200009	395200109	395200209	395200509	395200609	395200709	395205009	395205109	395205209	395205509	395205609	395205709	45.00	1.772	40.00	1.575
5.0mm, Euro Plug, Right Angle	10	395200010	395200110	395200210	395200510	395200610	395200710	395205010	395205110	395205210	395205510	395205610	395205710	50.00	1.969	45.00	1.772
5.0mm, Euro Plug, Right Angle	11	395200011	395200111	395200211	395200511	395200611	395200711	395205011	395205111	395205211	395205511	395205611	395205711	55.00	2.165	50.00	1.969
5.0mm, Euro Plug, Right Angle	12	395200012	395200112	395200212	395200512	395200612	395200712	395205012	395205112	395205212	395205512	395205612	395205712	60.00	2.362	55.00	2.165
5.0mm, Euro Plug, Right Angle	13	395200013	395200113	395200213	395200513	395200613	395200713	395205013	395205113	395205213	395205513	395205613	395205713	65.00	2.559	60.00	2.362
5.0mm, Euro Plug, Right Angle	14	395200014	395200114	395200214	395200514	395200614	395200714	395205014	395205114	395205214	395205514	395205614	395205714	70.00	2.756	65.00	2.559
5.0mm, Euro Plug, Right Angle	15	395200015	395200115	395200215	395200515	395200615	395200715	395205015	395205115	395205215	395205515	395205615	395205715	75.00	2.953	70.00	2.756
5.0mm, Euro Plug, Right Angle	16	395200016	395200116	395200216	395200516	395200616	395200716	395205016	395205116	395205216	395205516	395205616	395205716	80.00	3.150	75.00	2.953
5.0mm, Euro Plug, Right Angle	17	395200017	395200117	395200217	395200517	395200617	395200717	395205017	395205117	395205217	395205517	395205617	395205717	85.00	3.346	80.00	3.150
5.0mm, Euro Plug, Right Angle	18	395200018	395200118	395200218	395200518	395200618	395200718	395205018	395205118	395205218	395205518	395205618	395205718	90.00	3.543	85.00	3.346
5.0mm, Euro Plug, Right Angle	19	395200019	395200119	395200219	395200519	395200619	395200719	395205019	395205119	395205219	395205519	395205619	395205719	95.00	3.740	90.00	3.543
5.0mm, Euro Plug, Right Angle	20	395200020	395200120	395200220	395200520	395200620	395200720	395205020	395205120	395205220	395205520	395205620	395205720	100.00	3.937	95.00	3.740
5.0mm, Euro Plug, Right Angle	21	395200021	395200121	395200221	395200521	395200621	395200721	395205021	395205121	395205221	395205521	395205621	395205721	105.00	4.134	100.00	3.937
5.0mm, Euro Plug, Right Angle	22	395200022	395200122	395200222	395200522	395200622	395200722	395205022	395205122	395205222	395205522	395205622	395205722	110.00	4.331	105.00	4.134
5.0mm, Euro Plug, Right Angle	23	395200023	395200123	395200223	395200523	395200623	395200723	395205023	395205123	395205223	395205523	395205623	395205723	115.00	4.528	110.00	4.331
5.0mm, Euro Plug, Right Angle	24	395200024	395200124	395200224	395200524	395200624	395200724	395205024	395205124	395205224	395205524	395205624	395205724	120.00	4.724	115.00	4.528

SEE SHEET 1 EC NO: NEC2006-0310 DRWNL: LROTHAUS 2006/01/09 CHKDC: CYORK 2006/01/09 APPR: JPAMLIK 2006/01/10	QUALITY SYMBOLS ▽=0 ▽=0	GENERAL TOLERANCES (UNLESS SPECIFIED)		DIMENSION STYLE		SCALE	DESIGN UNITS	THIRD ANGLE PROJECTION	
				MM/IN		4:1	INCH		
				DRAWN BY DATE		CHECKED BY DATE		TITLE	
				APPROVED BY DATE		MATERIAL NO.		DOCUMENT NO.	
		ANGULAR ± 2 °		DRAFT WHERE APPLICABLE MUST REMAIN WITHIN DIMENSIONS		SEE CHART		SHEET NO. 2 OF 2	
				SIZE B		THIS DRAWING CONTAINS INFORMATION THAT IS PROPRIETARY TO MOLEX INCORPORATED AND SHOULD NOT BE USED WITHOUT WRITTEN PERMISSION			

9 8 7 6 5 4 3 2 1