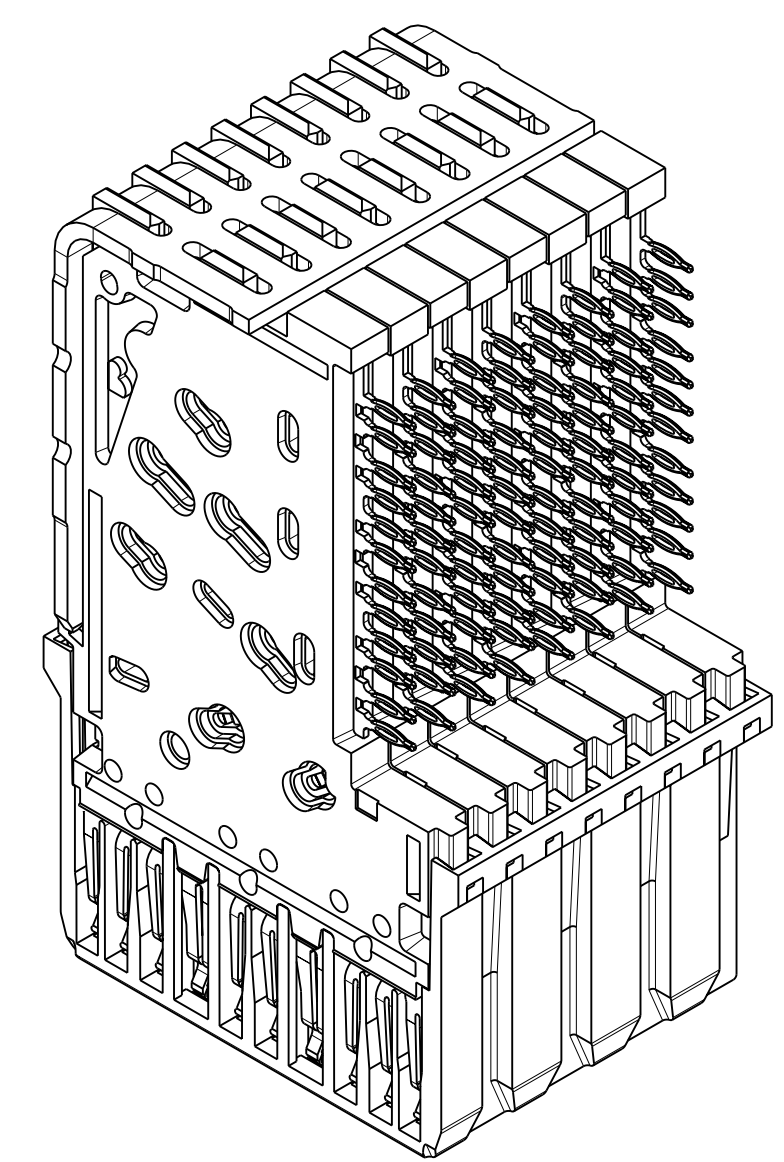


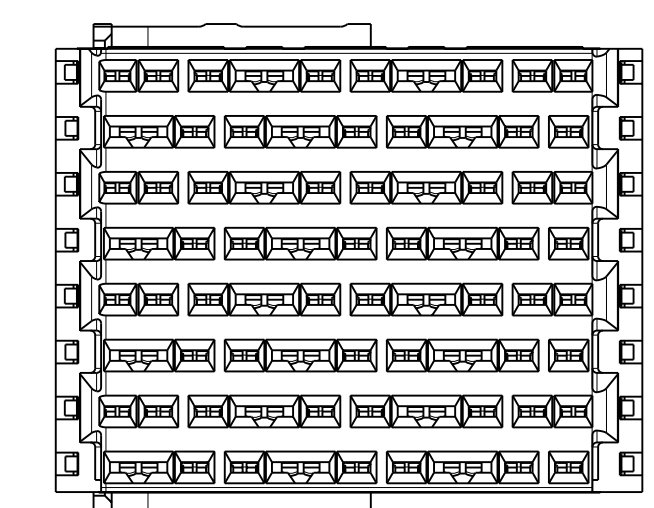
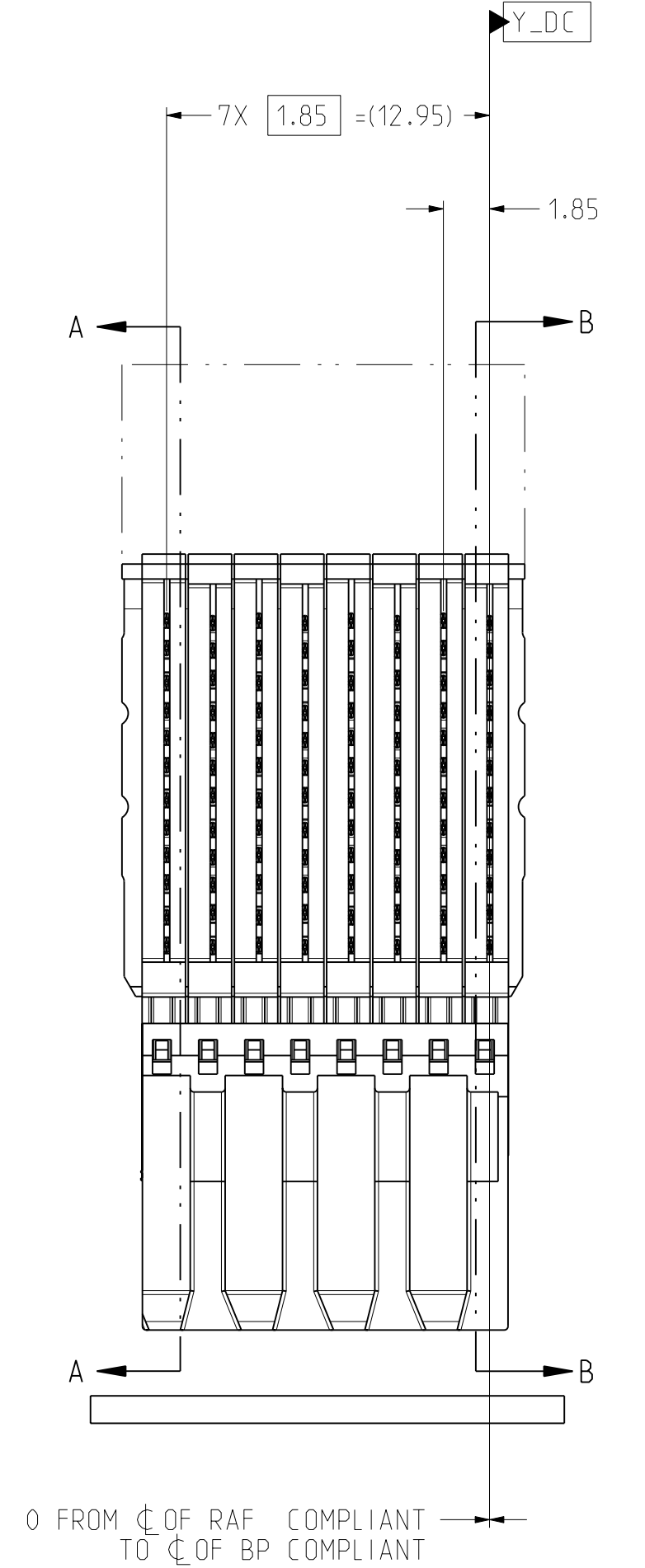
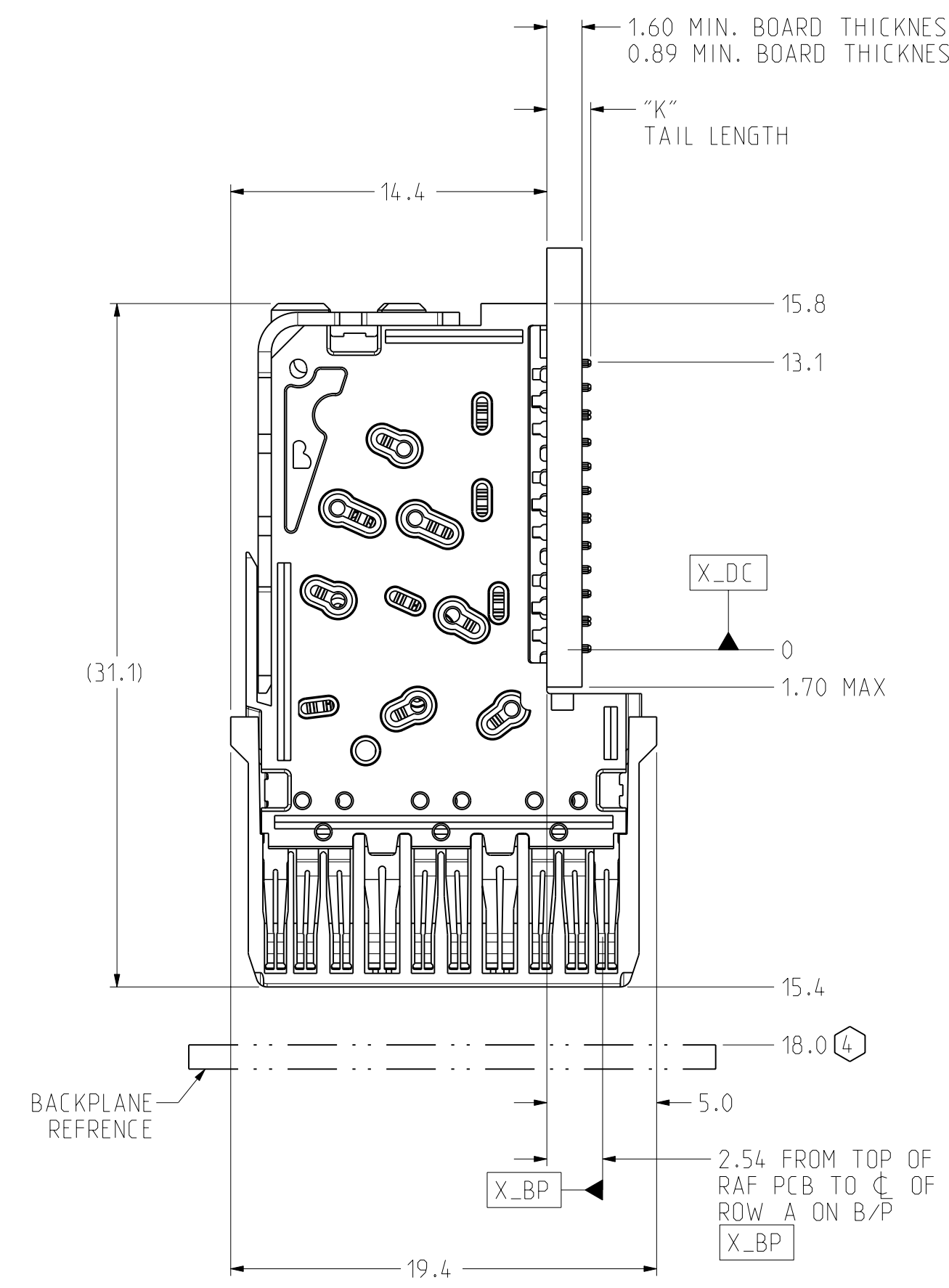
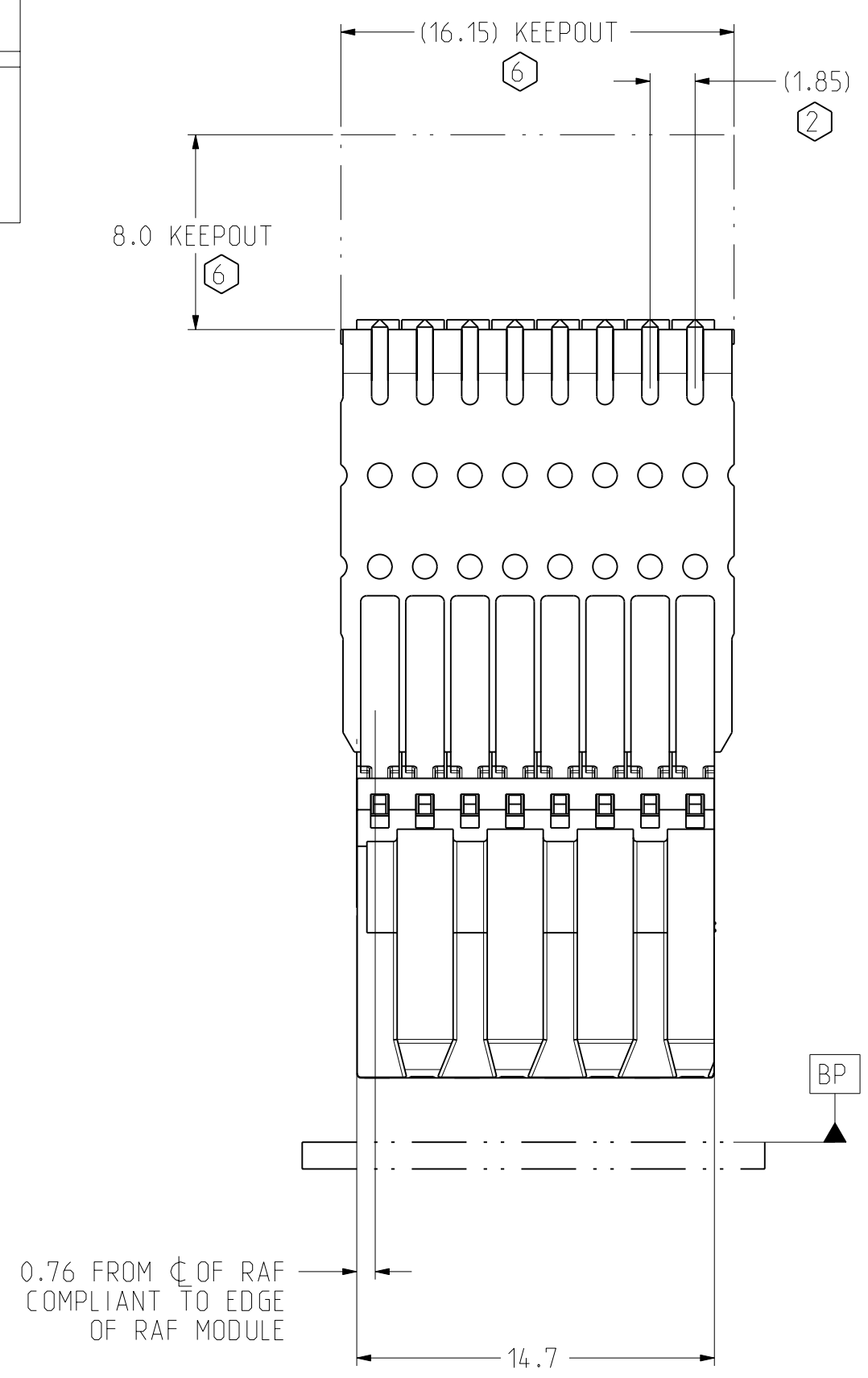
ZONE	REV	SCR NUMBER	DESCRIPTION	BY	DATE	APPROVED
ALL	1.0		NEW RELEASE	HCL-GM	02/17/2009	D.MANTER

PART NUMBER	COMPLIANT PIN	IMPEDANCE	DESCRIPTION	PLATING	DIM "K"
950-321A-B1B	Ø0.0225"	100Ω	HIGH SPEED DIFFERENTIAL	30 MICROINCH GOLD	2.0
950-321A-B1C				50 MICROINCH GOLD	
950-321A-B1D				30 MICROINCH GOLD, LEADFREE	
950-321A-B1E				50 MICROINCH GOLD, LEADFREE	
950-321C-B1B	Ø0.0225"	85Ω	HIGH SPEED DIFFERENTIAL	30 MICROINCH GOLD	2.0
950-321C-B1C				50 MICROINCH GOLD	
950-321C-B1D				30 MICROINCH GOLD, LEADFREE	
950-321C-B1E				50 MICROINCH GOLD, LEADFREE	
950-321A-B3B	Ø0.0177"	100Ω	HIGH SPEED DIFFERENTIAL	30 MICROINCH GOLD	1.3
950-321A-B3C				50 MICROINCH GOLD	
950-321A-B3D				30 MICROINCH GOLD, LEADFREE	
950-321A-B3E				50 MICROINCH GOLD, LEADFREE	
950-321C-B3B	Ø0.0177"	85Ω	HIGH SPEED DIFFERENTIAL	30 MICROINCH GOLD	1.3
950-321C-B3C				50 MICROINCH GOLD	
950-321C-B3D				30 MICROINCH GOLD, LEADFREE	
950-321C-B3E				50 MICROINCH GOLD, LEADFREE	
950-321E-B1B	Ø0.0225"	100Ω	LOW SPEED DIFFERENTIAL	30 MICROINCH GOLD	2.0
950-321E-B1C				50 MICROINCH GOLD	
950-321E-B1D				30 MICROINCH GOLD, LEADFREE	
950-321E-B1E				50 MICROINCH GOLD, LEADFREE	
950-321E-B3B	Ø0.0177"	100Ω	LOW SPEED DIFFERENTIAL	30 MICROINCH GOLD	1.3
950-321E-B3C				50 MICROINCH GOLD	
950-321E-B3D				30 MICROINCH GOLD, LEADFREE	
950-321E-B3E				50 MICROINCH GOLD, LEADFREE	

	COMPLIANT PIN DRILL Ø0.0225"	COMPLIANT PIN DRILL Ø0.0177"
PTH	Ø0.51 0.41	Ø0.40 0.30
DRILL	Ø0.57 [0.0225"]	Ø0.45 [0.0177"]
PAD	Ø0.88 (3)	Ø0.75 (3)



ISOMETRIC VIEW
SCALE 4/1



- NOTES:
- INTENDED FOR LAYOUT PURPOSES ONLY.
 - FOR WAFER PITCH USE 1.85mm NOMINAL FOR DAUGHTERCARD LAYOUT.
 - STATED PAD SIZE MAY REQUIRE FILLETING. SEE TB-2149 FOR ROUTING GUIDELINES.
 - NOMINAL DIMENSIONS FOR FULLY SEATED CONNECTOR.
 - REFER TO TB-2150 FOR XcEdE PRODUCT SPECIFICATIONS.
 - FOR CONNECTOR REPAIRABILITY, USE KEEP OUT ZONE.
 - DIMENSION APPLIES FOR BOTH COMPLIANT PINS

INTERPRET PER ASME Y14.5M
CODE IDENT 31413

TOLERANCES	DESIGN 02/17/2009 D.MANTER	Amphenol TCS A Division of Amphenol Corporation 200 Innovative Way, Nashua, NH 03062 603.879.3000
0.0 ±0.25	DRAWN 02/17/2009 HCL-GM	
0.00 ±0.13	CHK 02/17/2009 D.MANTER	
0.000 ± -	APVD 02/17/2009 D.MANTER	
ANGLES ± 3°		TITLE RIGHT ANGLE FEMALE MODULE, 3PAIR, 8POS XcEdE
PART NO. SEE TABLE 1		REV 1.0
DRAWING NO. C950-321A-500		Pro/E Type: Q1109-2ND-CONNECTOR3-BWAF 1.3 Pro/E DRAWING: C950-321A-500-DC3-BWAF 1.3
SIZE D	SCALE 4/1	SHEET 1 OF 2

CUSTOMER USE
DRAWING

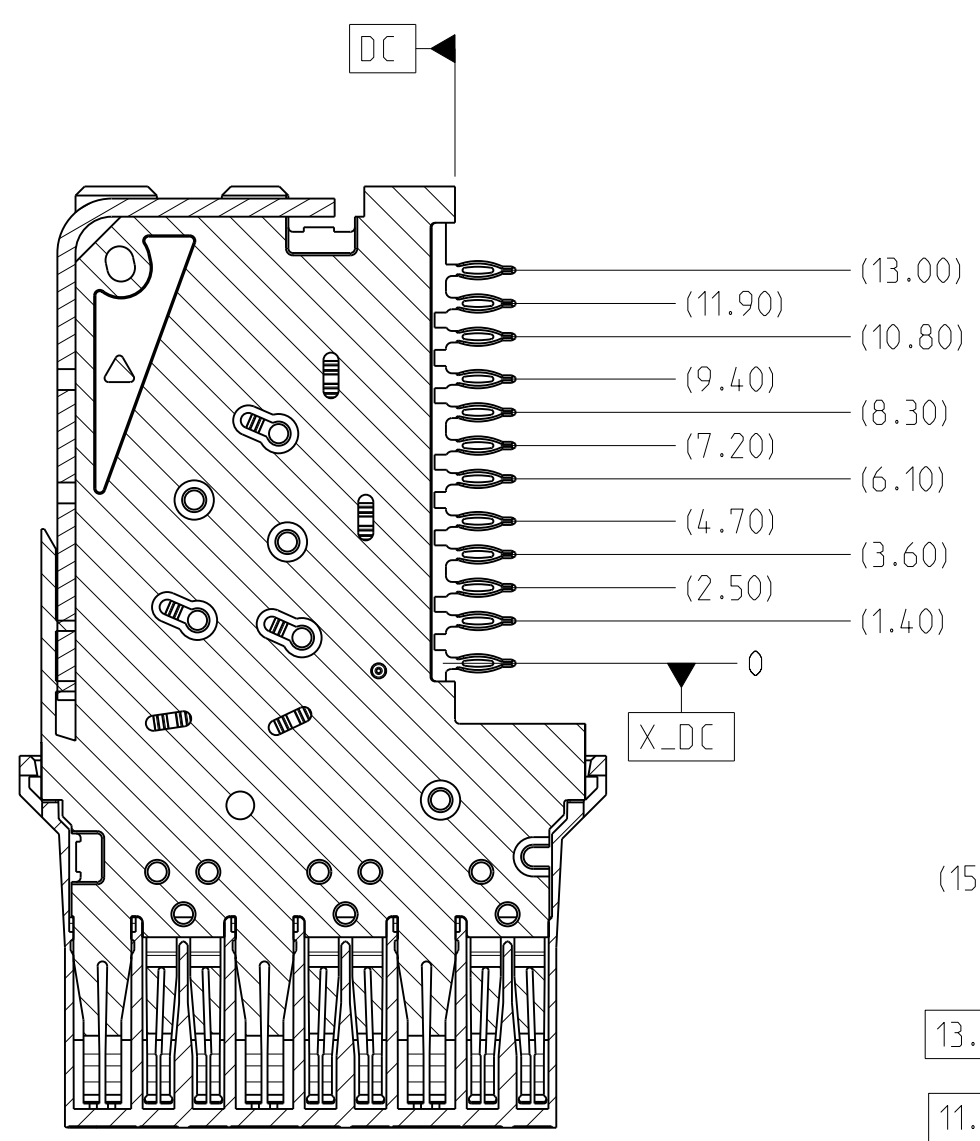
DRW NO. C950-321A-500

SH 1 REV 1.0

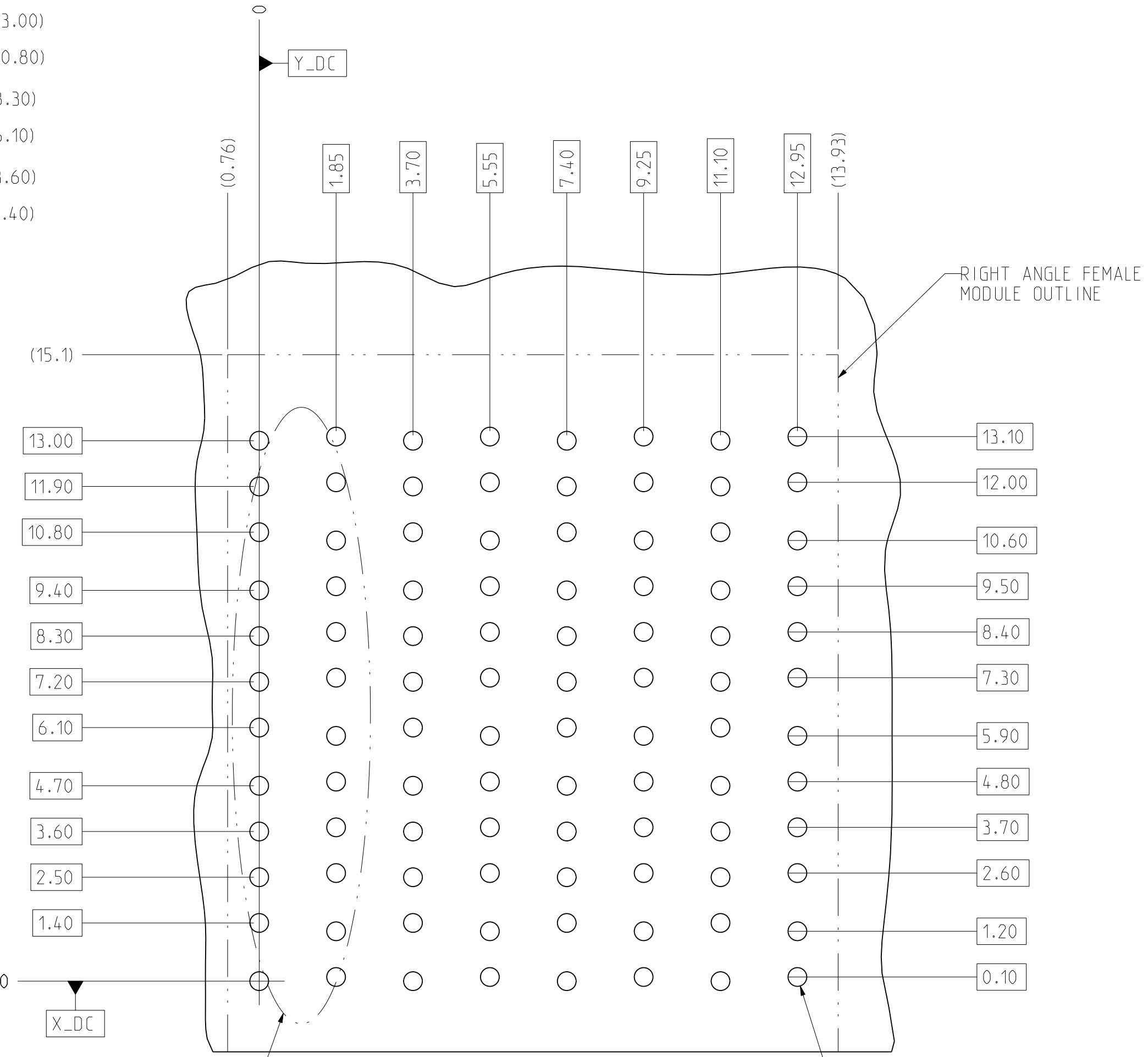
ZONE	REV	SCR NUMBER	DESCRIPTION	BY	DATE	APPROVED
			SEE SHEET 1			

D
C
B
A

D
C
B
A



SECTION B-B
WAFER "A"

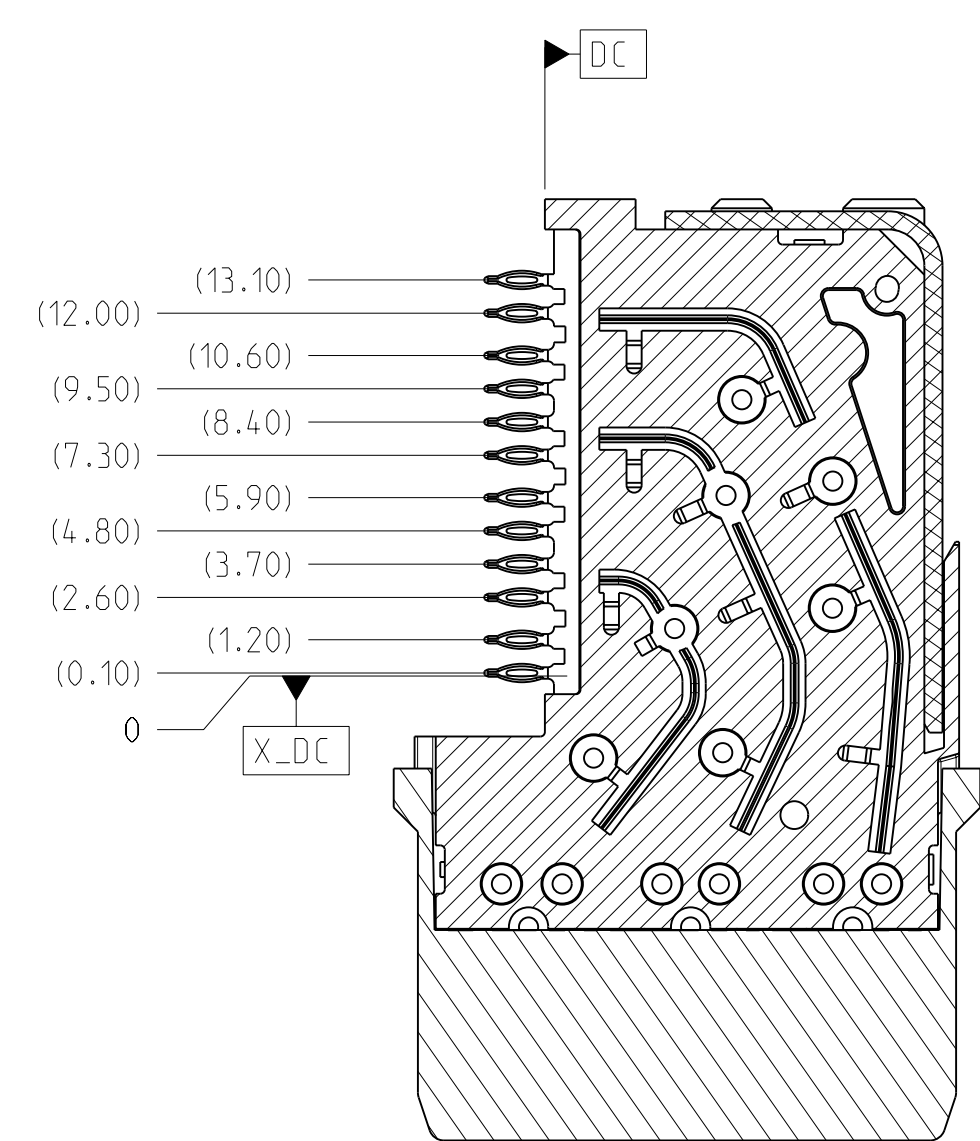


RIGHT ANGLE FEMALE
HIGH SPEED AND LOW SPEED DIFFERENTIAL
HOLE PATTERN FOR BOTH COMPLIANT PIN DRILL
($\varnothing 0.0225"$ AND $\varnothing 0.0177"$)
SCALE 10/1

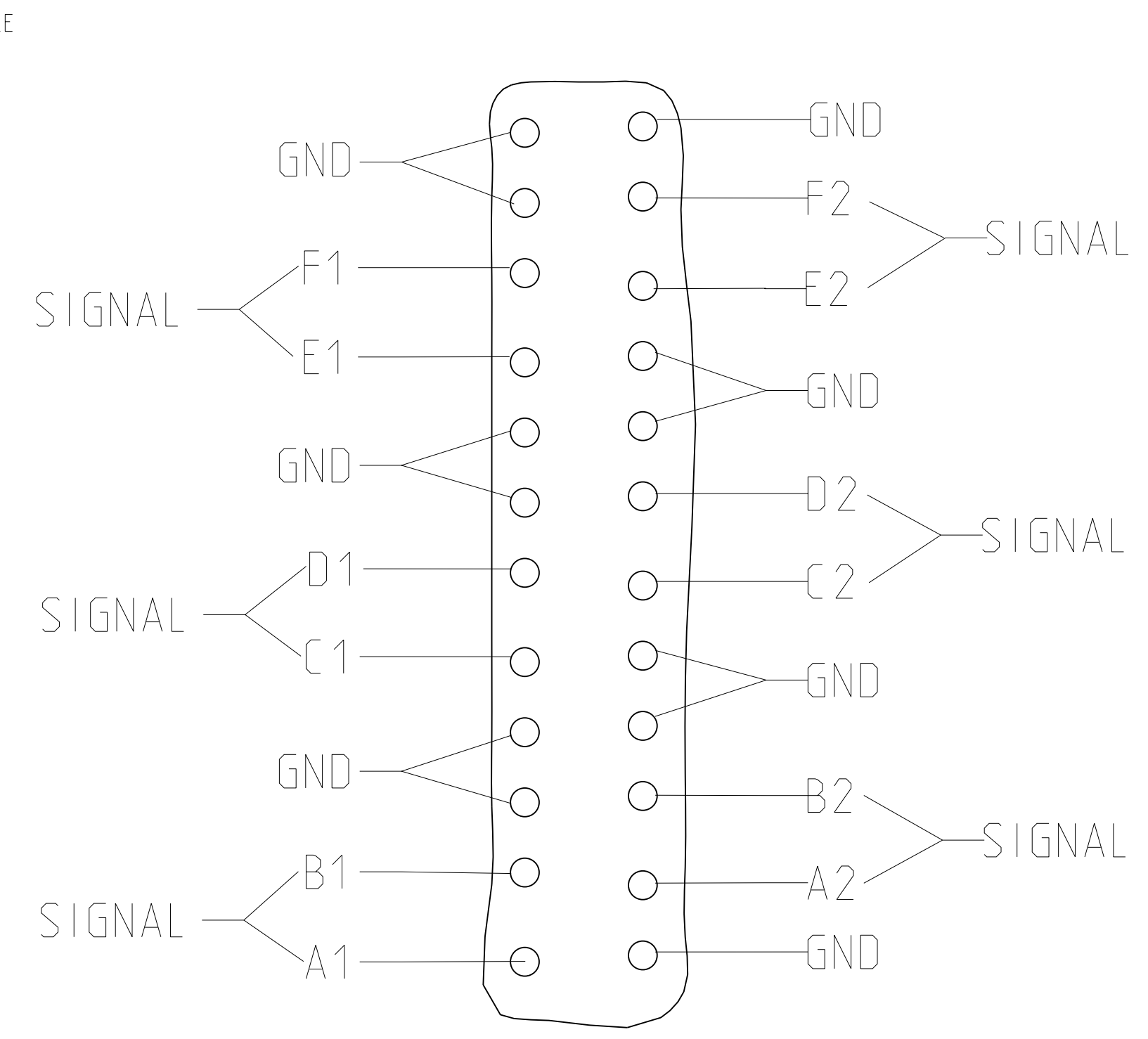
CONNECTOR SIDE

SEE TABLE 2
SHEET 1
TYP
 $\varnothing \varnothing 0.10$ X_DC Y_DC

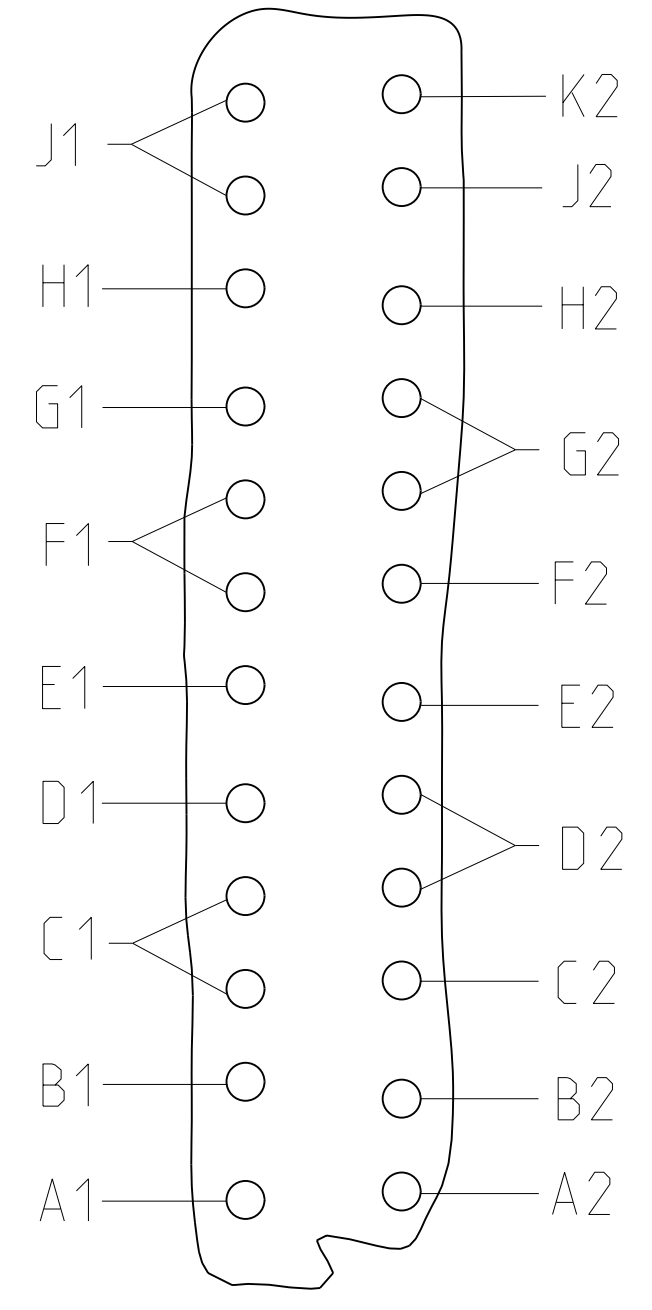
SEE DETAIL C & D
FOR PINOUTS



SECTION A-A
WAFER "B"



DETAIL C
SCALE 12/1
HIGH SPEED DIFFERENTIAL
PINOUTS



DETAIL D
SCALE 12/1
LOW SPEED DIFFERENTIAL
PINOUTS

TOLERANCES	DESIGN 02/17/2009 D.MANTER	Amphenol TCS A Division of Amphenol Corporation 200 Innovative Way, Nashua, NH 03062 603.879.3000	TITLE	RIGHT ANGLE FEMALE MODULE, 3PAIR, 8POS XCede
0.0 ±0.25	DRAWN 02/17/2009 HCL-GM		PART NO.	SEE TABLE 1
0.00 ±0.13	CHK 02/17/2009 D.MANTER		DRAWING NO.	C950-321A-500
0.000 ± -	APVD 02/17/2009 D.MANTER		PROJ TYPE	Q1109-2ND-CONNECTOR3-BWAF PROJ DRAWING: C950-321A-500-DC3-BWAF
ANGLES ± 3°	UNLESS OTHERWISE SPECIFIED DIMENSIONS ARE IN MM. DECIMAL MARKER IS A PERIOD.		SIZE	D
INTERPRET PER ASME Y14.5M CODE IDENT 31413			CUSTOMER USE DRAWING	
			SCALE	4/1
			SHEET	2 OF 2

DRW NO.
C950-321A-500

SH
2
REV
1.0