

MULTILAYER FERRITE SHARP CHIP BEAD

ACSB-0402



RoHS
Compliant



1.0 x 0.5 x 0.5mm

FEATURES:

- Sharp impedance characteristics at desirable frequencies
- Multilayer monolithic construction yields high reliability
- Does not effect the signal frequency

APPLICATIONS:

- Hand-held organizers
- Computer peripherals
- Industrial electronics
- Entertainment electronics devices

STANDARD SPECIFICATIONS:

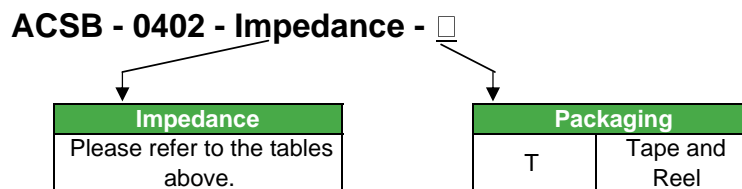
PARAMETERS

ABRACON P/N:	ACSB-0402-xxx Series
Operating temperature:	-55°C to + 125°C
Storage temperature:	-55°C to + 125°C

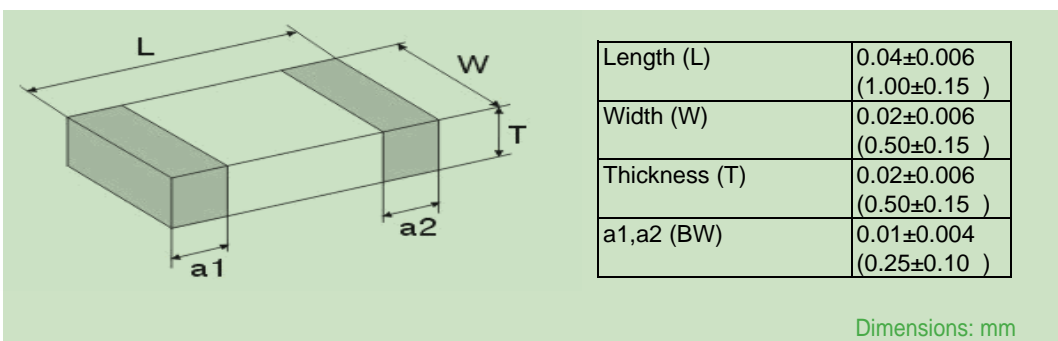
Part Number	Z (Ω) $\pm 25\%$	RDC Ω Max	IRATE mA Max
ACSB-0402-100	10	0.1	500
ACSB-0402-300	30	0.2	300
ACSB-0402-600	60	0.4	200
ACSB-0402-121	120	0.5	200
ACSB-0402-221	220	0.7	200
ACSB-0402-301	300	0.8	200
ACSB-0402-601	600	1.0	150

OPTIONS AND PART IDENTIFICATION:

(Left blank if standard)



OUTLINE DRAWING:



ABRACON IS
ISO 9001 / QS 9000
CERTIFIED



Visit www.abracon.com for Terms & Conditions of Sale **Revised: 08.16.07**
30332 Esperanza, Rancho Santa Margarita, California 92688
tel 949-546-8000 | fax 949-546-8001 | www.abracon.com

MULTILAYER FERRITE SHARP CHIP BEAD

ACSB-0402



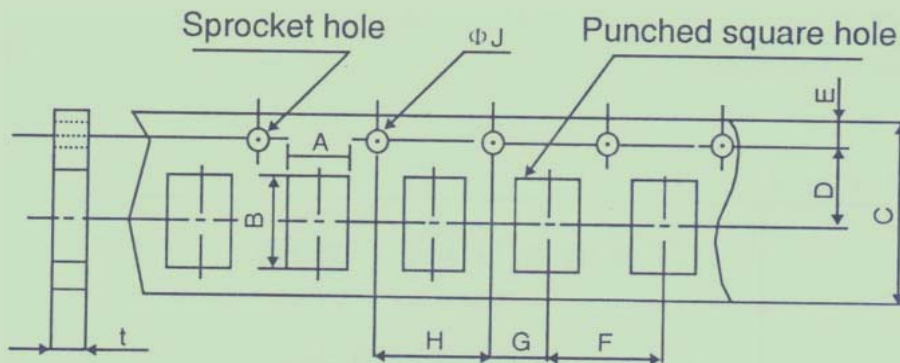
RoHS
Compliant



1.0 x 0.5 x 0.5mm

TAPE & REEL: Tape and reel 4,000pcs/reel

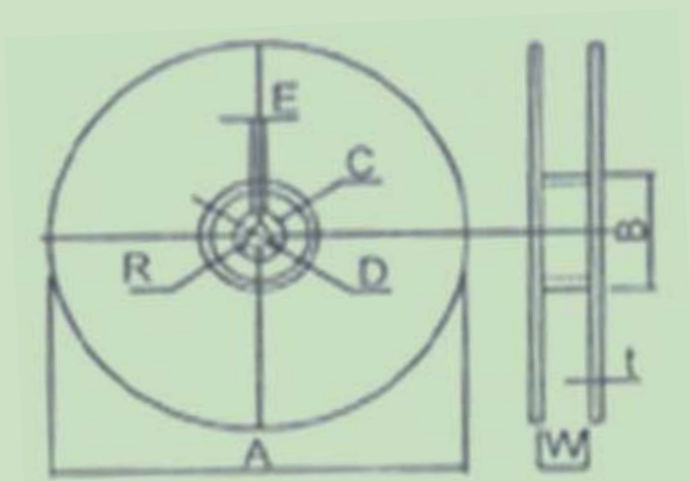
Dimensions of Tape



Type	0402
T*	0.5±0.15
	Paper
	carrier tape
A	0.65±0.15
B	1.3±0.15
C	8.0±0.3
D	3.5±0.05
E	1.75±0.1
F	2.0±0.05
G	2.0±0.05
H	4.0±0.1
ΦJ	1.5+0.1/-0
t(max)	0.8±0.05

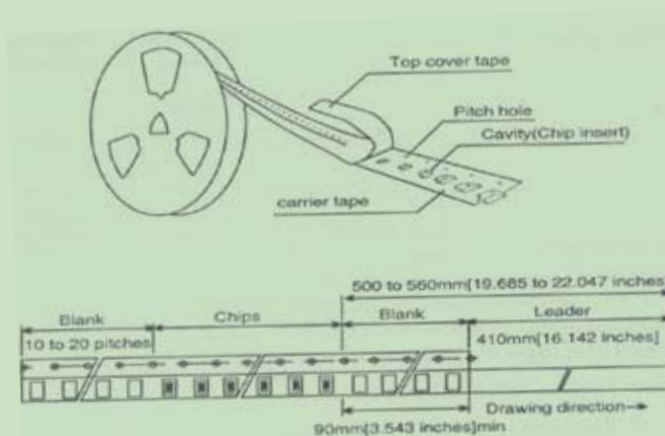
T*: Product thickness

Dimensions of Reel



	mm
A	178±2
B	60±2
C	13.0±0.5
D	21.0±0.8
E	2.0±0.5
W	10.0±1.15
t	1.2±0.2
R	1.0±0.25

Taping figure and drawing direction



ABRACON IS
ISO 9001 / QS 9000
CERTIFIED



ABRACON
CORPORATION

Visit www.abracon.com for Terms & Conditions of Sale Revised: 08.16.07
30332 Esperanza, Rancho Santa Margarita, California 92688
tel 949-546-8000 | fax 949-546-8001 | www.abracon.com