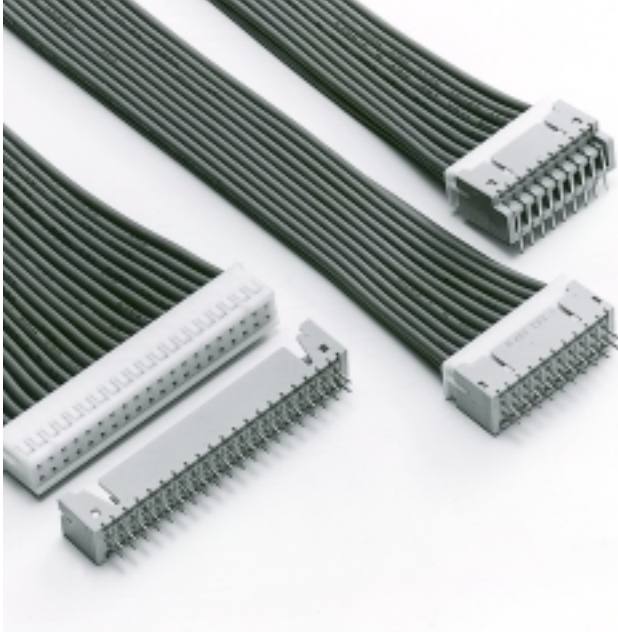


JST

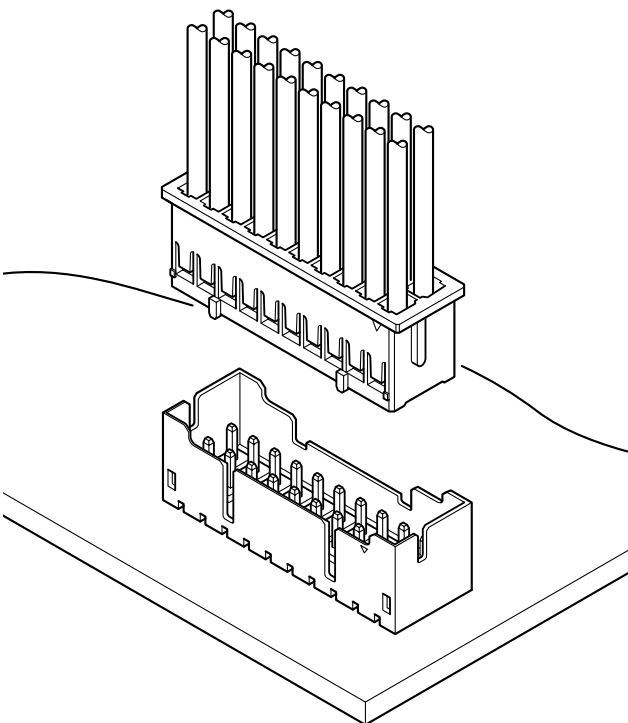
Crimp

2.5mm
(.098") pitch

XAD CONNECTOR

Disconnectable Crimp style connectors

Dual-row construction allows high density mounting.



Features

- **Solder crack prevention**

The header wafer is manufactured using glass-filled PA66 nylon, as a prevention against solder crack.

- **Low insertion force**

The header pins are round and reflow-treated, to provide low insertion forces.

- **Fully shrouded header**

The header is fully shrouded, having walls on all four sides to prevent mis-insertion, pin damage during mating and any intrusion of flux during soldering.

- **Interchangeability**

The contacts are the same as those used with the XA connector.


Specifications

- Current rating: 3.0A AC,DC (AWG#20)
 - Voltage rating: 250V AC,DC
 - Temperature range: -25°C to +85°C
(including temperature rise in applying electrical current)
 - Contact resistance: Initial value/10mΩ max.
After environmental testing/20mΩ max.
 - Insulation resistance: 1,000MΩ min.
 - Withstanding voltage: AC 1,000V/minute
 - Applicable wire: AWG#28 to #22
 - Applicable PC board thickness: 1.6mm (.063")
- * Contact JST for details.

Standards

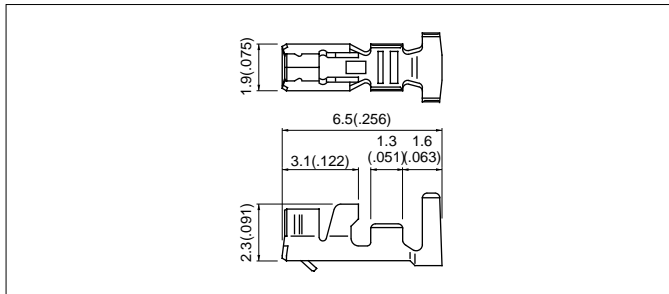
 Recognized E60389

 Certified LR20812

 R9851219

XAD CONNECTOR

Contact

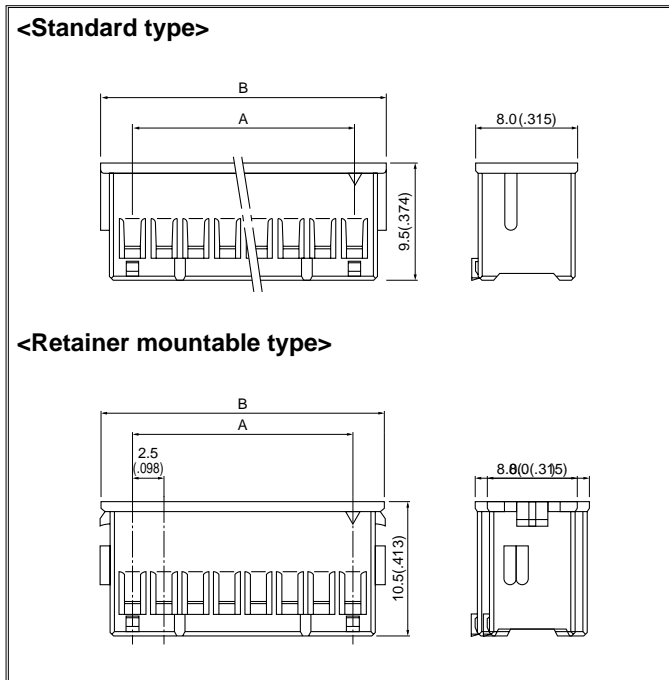


Model No.	Applicable wire			Q'ty / reel
	mm ²	AWG#	Insulation O.D mm(in.)	
SXA- 01T-P0.6	0.22 to 0.5	24 to 20	1.5 to 1.9(.059 to .075)	7,000
SXA-001T-P0.6	0.08 to 0.33	28 to 22	1.2 to 1.9(.047 to .075)	7,000

Material and Finish

Phosphor bronze, tin-plated

Housing

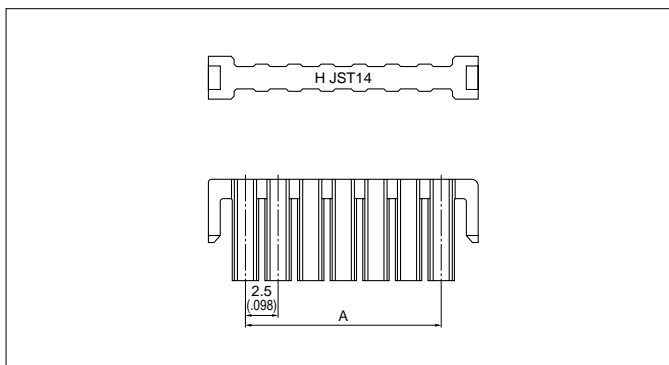


Circuits	Model No.		Dimensions mm(in.)		Q'ty / bag
	Standard type	Retainer mountable type	A	B	
10	XADP-10V-F	—	10.0(.394)	15.0(.591)	2,000
14	XADP-14V-F	—	15.0(.591)	20.0(.787)	1,000
18	XADP-18V-F	XADRP-18V-F	20.0(.787)	25.0(.984)	1,000
20	XADP-20V-F	—	22.5(.886)	27.5(1.083)	1,000
26	XADP-26V-F	XADRP-26V-F	30.0(1.181)	35.0(1.378)	1,000
30	XADP-30V-F	XADRP-30V-F	35.0(1.378)	40.0(1.575)	500
34	XADP-34V-F	XADRP-34V-F	40.0(1.575)	45.0(1.772)	500
40	XADP-40V-F	—	47.5(1.870)	52.5(2.067)	500

Material

Nylon 66, UL94V-0, natural (white)

Retainer

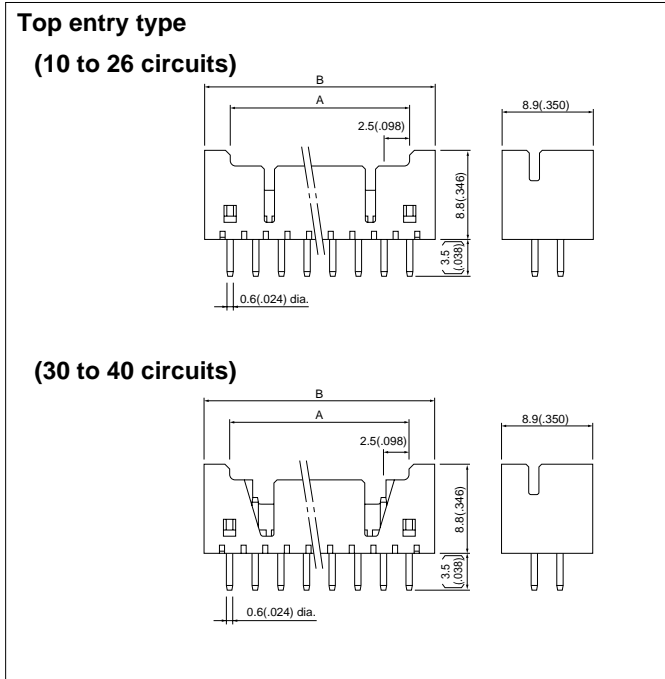


Circuits	Model No.	Dimension A mm (in.)	Q'ty/bag
18	XADS-18V	20.0(.787)	1,000
26	XADS-26V	30.0(1.181)	1,000
30	XADS-30V	35.0(1.378)	1,000
34	XADS-34V	40.0(1.575)	1,000

Material

Glass-filled nylon66, UL94V-0, natural (ivory)

Shrouded header

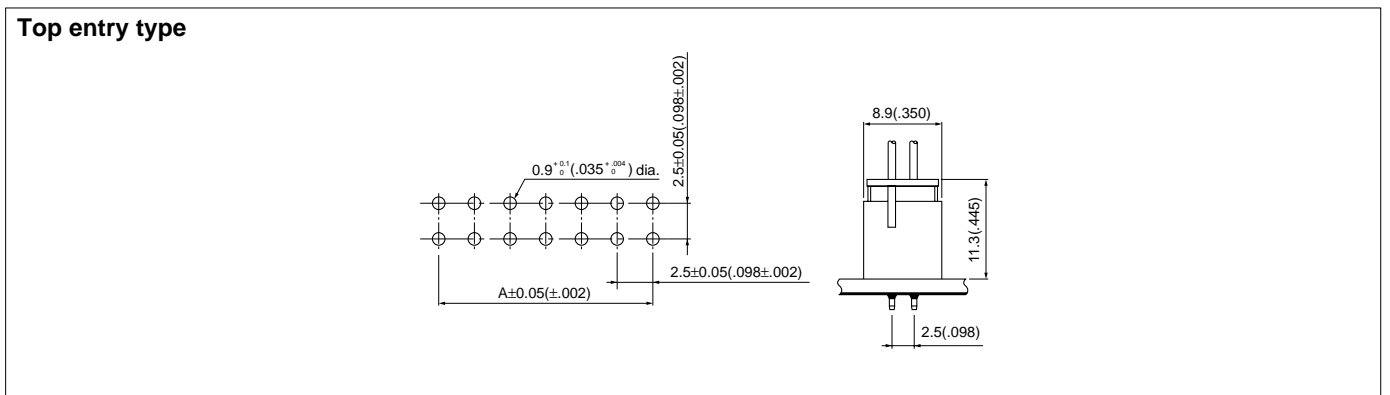


Circuits	Model No.	Dimensions mm(in.)		Q'ty / box
		A	B	
10	B10B-XADSS-F	10.0(.394)	15.0(.591)	200
14	B14B-XADSS-F	15.0(.591)	20.0(.787)	200
18	B18B-XADSS-F	20.0(.787)	25.0(.984)	100
20	B20B-XADSS-F	22.5(.886)	27.5(1.083)	100
26	B26B-XADSS-F	30.0(1.181)	35.0(1.378)	100
30	B30B-XADSS-F	35.0(1.378)	40.4(1.591)	50
34	B34B-XADSS-F	40.0(1.575)	45.4(1.787)	50
40	B40B-XADSS-F	47.5(1.870)	52.9(2.083)	50

Material & Finish

Pin: Copper alloy, copper-undercoated, tin/lead plated
Wafer: Glass-filled nylon 66, UL94V-0, natural (ivory)

PC board layout and Assembly layout



Note:

1. Tolerances are non-Cumulative: $\pm 0.05\text{mm}$ ($\pm .002''$) for all centers.
2. Hole dimensions differ according to the kind of PC board and piercing method.
The dimensions above should serve as a guide line. Contact JST for details.