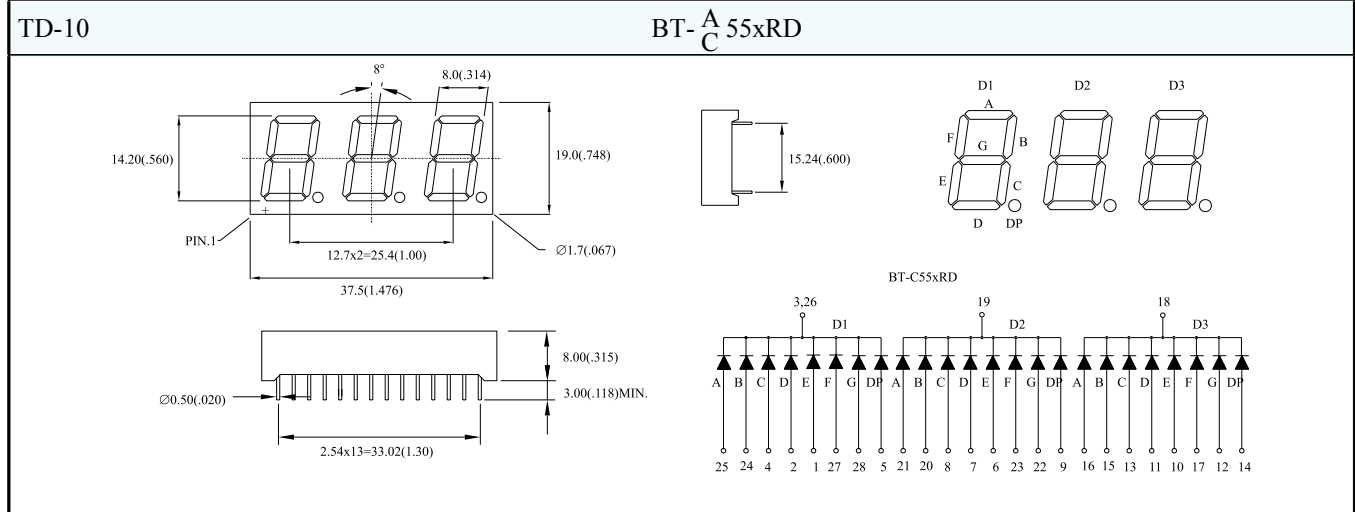
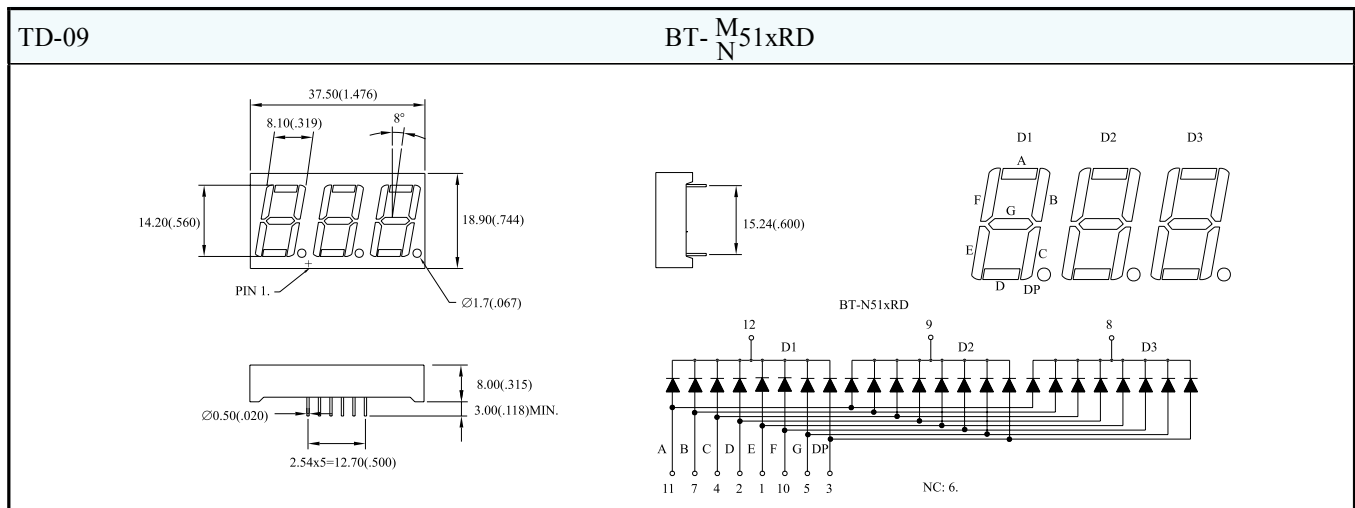




Three Digit LED Displays 7-Segment

Digit Size	Part No.		Chip		Absolute Maximum Ratings				Electro-optical Data(At 10mA)			Drawing No.
	Common Anode	Common Cathode	Material/Emitted Color	Peak Wave Length $\lambda_p(\text{nm})$	$\Delta\lambda$ (nm)	Pd (mw)	If (mA)	Ifp (mA)	Vf (v)		Iv. Typ. Per.Seg. (mcd)	
									Typ.	Max.		
0.56" Three-Digit	BT-M511RD	BT-N511RD	GaAsP/Red	655	40	80	40	200	1.7	2.0	0.6	TD-09
	BT-M515RD	BT-N515RD	GaP/ Bright Red	700	90	40	15	50	2.2	2.5	1.2	
	BT-M515RE	BT-N515RE										
	BT-M512RD	BT-N512RD	GaP/ Green	568	30	80	30	150	2.2	2.5	3.0	
	BT-M513RD	BT-N513RD	GaAsP/GaP/ Yellow	585	35	80	30	150	2.1	2.5	2.0	
	BT-M514RD	BT-N514RD	GaAsP/GaP/ Hi-Eff.Red	635	45	80	30	150	2.0	2.5	3.0	
			GaAsP/GaP/ Orange									
	BT-M516RD	BT-N516RD	GaAlAs/ SH Super Red	660	20	80	30	150	1.7	2.5	6.0	
	BT-M51DRD	BT-N51DRD	GaAlAs/ DH Super Red	660	20	80	30	150	1.7	2.5	7.0	
	TD-10	BT-A551RD	BT-C551RD	GaAsP/Red	655	40	80	40	200	1.7	2.0	0.6
		BT-A555RD	BT-C555RD	GaP/ Bright Red	700	90	40	15	50	2.2	2.5	1.2
		BT-A552RD	BT-C552RD	GaP/ Green	568	30	80	30	150	2.2	2.5	3.0
		BT-A553RD	BT-C553RD	GaAsP/GaP/ Yellow	585	35	80	30	150	2.1	2.5	2.0
		BT-A554RD	BT-C554RD	GaAsP/GaP/ Hi-Eff.Red	635	45	80	30	150	2.0	2.5	3.0
				GaAsP/GaP/ Orange								
		BT-A556RD	BT-C556RD	GaAlAs/ SH Super Red	660	20	80	30	150	1.7	2.5	6.0
		BT-A55DRD	BT-C55DRD	GaAlAs/ DH Super Red	660	20	80	30	150	1.7	2.5	7.0



NOTES: 1.ALL Dimensions are in millimeters(inches).
 2.Tolerance is±0.25mm(.010")
 3.Specifications are subject to change without notice.
 4.NP:No Pin. 5.NC:No Connect