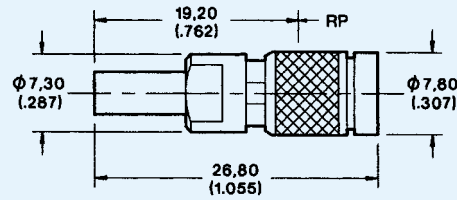


50Ω Cable Plugs

**Straight Crimp Plug
Push-Pull Coupling**

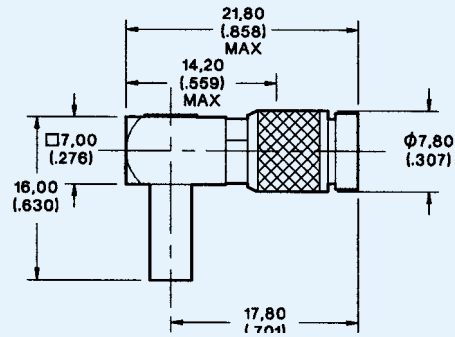
Part Number	Cable Numbers
F55-B24-3060A90	RG188A/U, 316/U



Assembly Instruction BBAI-1249 (Apply ITT Cannon Sales Dept.)

**Right Angle Crimp Plug
Push-Pull Coupling**

Part Number	Cable Numbers
F55-B28-3060A90	RG188A/U, 316/U

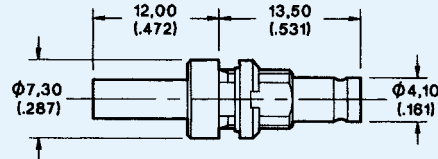


Assembly Instruction BBAI-1251 (Apply ITT Cannon Sales Dept.)

50Ω Cable Jacks

**Straight Crimp Bulkhead Jack
All Couplings**

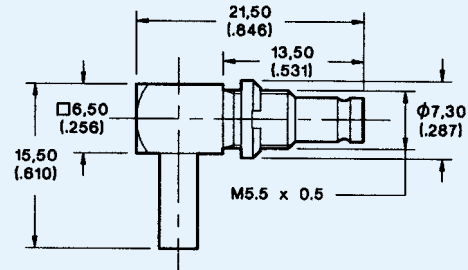
Part Number	Cable Numbers
F50-B27-3060A90	RG188A/U, 316/U
F50-B27-3058A90	RG58C/U



Mounting Plan K (Page 108). Maximum Panel Thickness 1,50 (0.059)
Assembly Instruction BBAI-1250 (Apply ITT Cannon Sales Dept.)

**Right Angle Crimp Bulkhead Jack
All Couplings**

Part Number	Cable Numbers
F50-B30-3060A90	RG188A/U, 316/U



Mounting Plan J (Page 108). Maximum Panel Thickness 2,00 (0.078)
Assembly Instruction BBAI-1252 (Apply ITT Cannon Sales Dept.)

OTHER CABLE TYPES AVAILABLE ON
REQUEST