

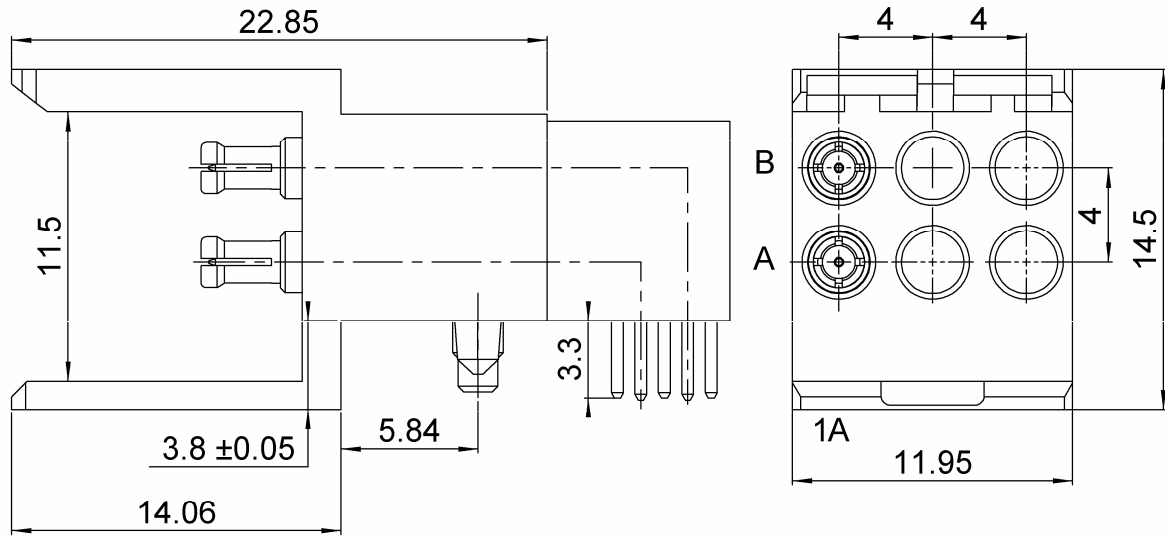
**MALE SHIELDED COAXIPACK 2 COAX**

**R694.281.251**

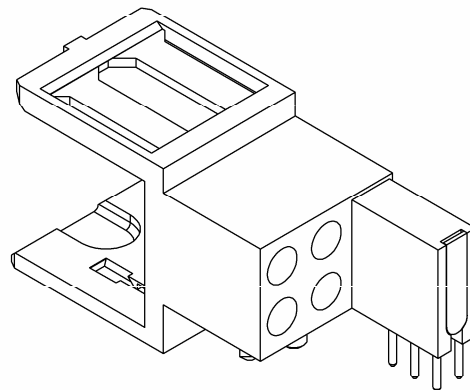
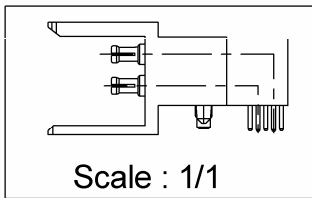
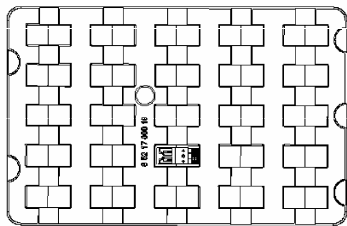
**SOLDER TYPE 3.5**

Series : MCC2

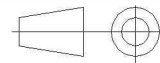
1 COAX POSITION AB/ 1A



Connectors' packaging



All dimensions are in mm.



COMPONENTS	MATERIALS	PLATING (µm)
BODY	BRASS	NICKEL 2
CENTER CONTACT	BERYLLIUM COPPER	NPGR
OUTER CONTACT	BRONZE	NPGR
INSULATOR	PEEK , ULTEM	
GASKET		
OTHERS PARTS	POLYM. C. L. 30% FV	NICKEL 0.6 OVER COPPER 3
.	.	.
.	.	.

Issue : 0918 A

In the effort to improve our products, we reserve the right to make changes judged to be necessary.



**MALE SHIELDED COAXIPACK 2 COAX**

**R694.281.251**

**SOLDER TYPE 3.5**

Series : **MCC2**

**PACKAGING**

**SPECIFICATION**

Standard	Unit	Other
<b>25</b>	<b>'W' option</b>	<b>Contact us</b>

**ELECTRICAL CHARACTERISTICS**

**ENVIRONMENTAL**

Impedance	<b>75</b>	$\Omega$
Frequency	<b>0-6</b>	GHz
VSWR	<b>1.20*</b> + <b>0.0000</b>	x F(GHz) Maxi
Insertion loss	<b>0.2</b>	$\sqrt{F(GHz)}$ dB Maxi
RF leakage	- ( <b>NA</b> )	- F(GHz)) dB Maxi
Voltage rating	<b>500</b>	Veff Maxi
Dielectric withstanding voltage	<b>750</b>	Veff mini
Insulation resistance	<b>5000</b>	M $\Omega$ mini

Operating temperature	<b>-25/+125</b>	$^{\circ}$ C
Hermetic seal	<b>NA</b>	Atm.cm3/s
Panel leakage	<b>NA</b>	

**OTHER CHARACTERISTICS**

Assembly instruction **See/Voir Pg3**

Others :  
 \*ROS optimised 0~3GHz  
 Housing Material: UL94V-0

**MECHANICAL CHARACTERISTICS**

Center contact retention		
Axial force – Mating end	<b>6</b>	N mini
Axial force – Opposite end	<b>6</b>	N mini
Torque	<b>NA</b>	N.cm mini
Recommended torque		
Mating	<b>NA</b>	N.cm
Panel nut	<b>NA</b>	N.cm
Mating life	<b>500</b>	Cycles mini
Weight	<b>3.6100</b>	g

Issue : 0918 A

In the effort to improve our products, we reserve the right to make changes judged to be necessary.



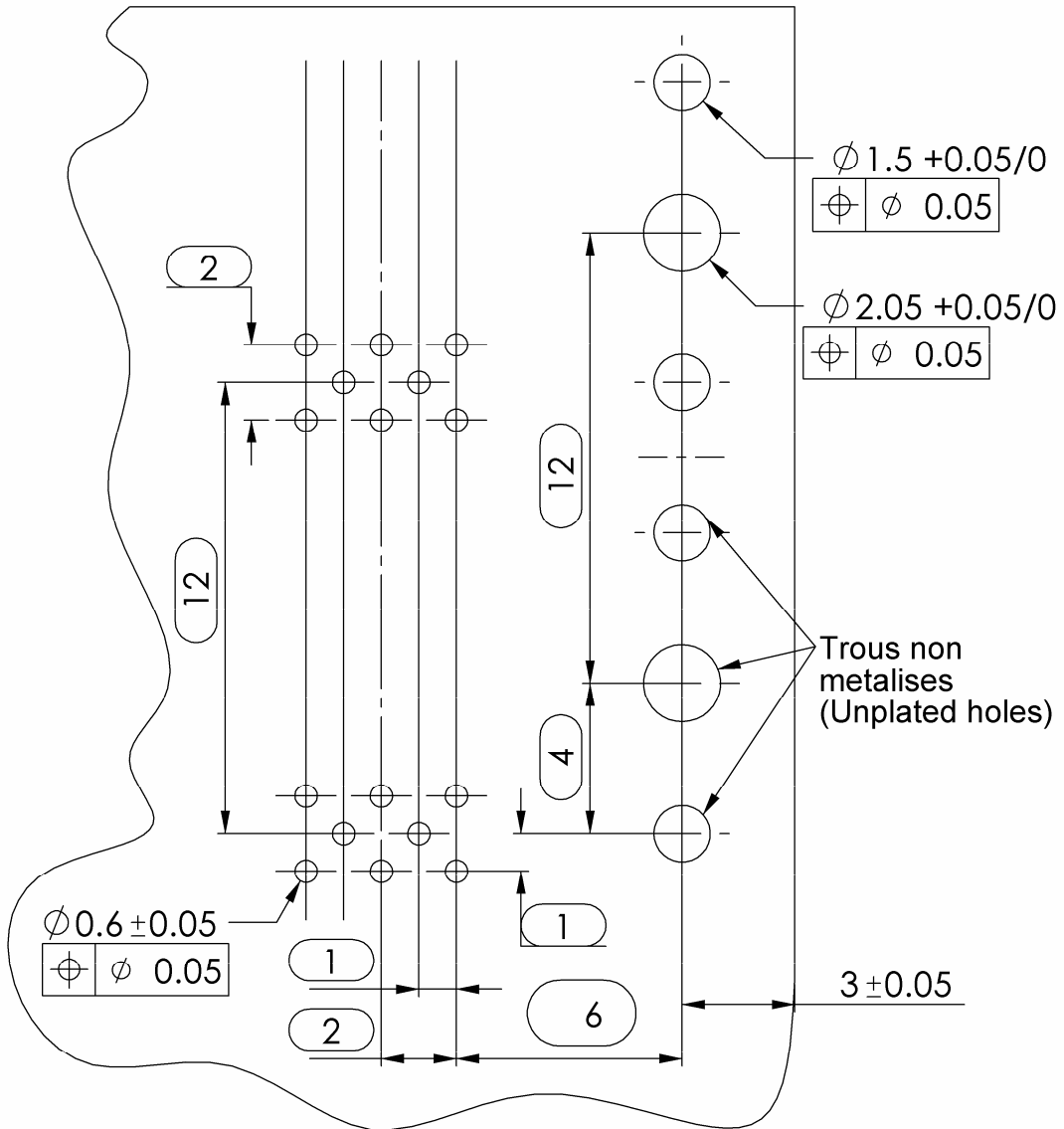
MALE SHIELDED COAXIPACK 2 COAX

**R694.281.251**

SOLDER TYPE 3.5

Series : MCC2

**PERCAGE PANNEAU RECOMMANDE-FACE COMPOSANTS  
RECOMMENDED P-C BOARD LAYOUT-COMPONENT SIDE**



Issue : 0918 A

In the effort to improve our products, we reserve the right to make changes judged to be necessary.

