

W-METAL SHELL — RECEPTACLE — NON-ENVIRONMENTAL

TYPE WB1A TYPE WB2A

Mates with Plug
Types WA, WC, WD

TYPE WC1A TYPE WC2A

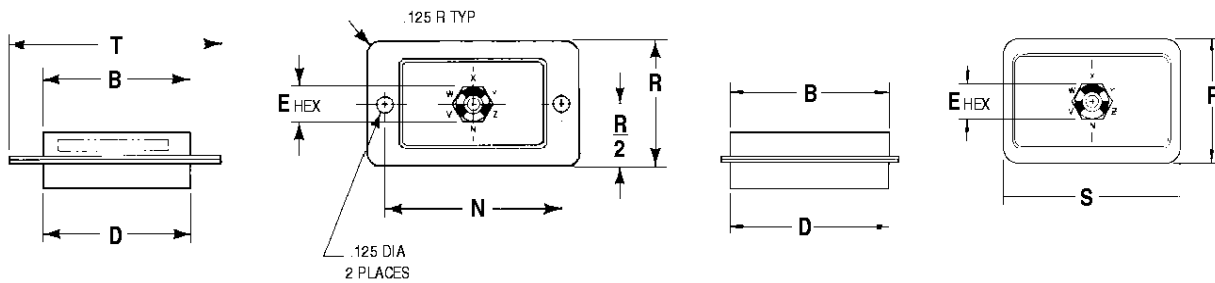
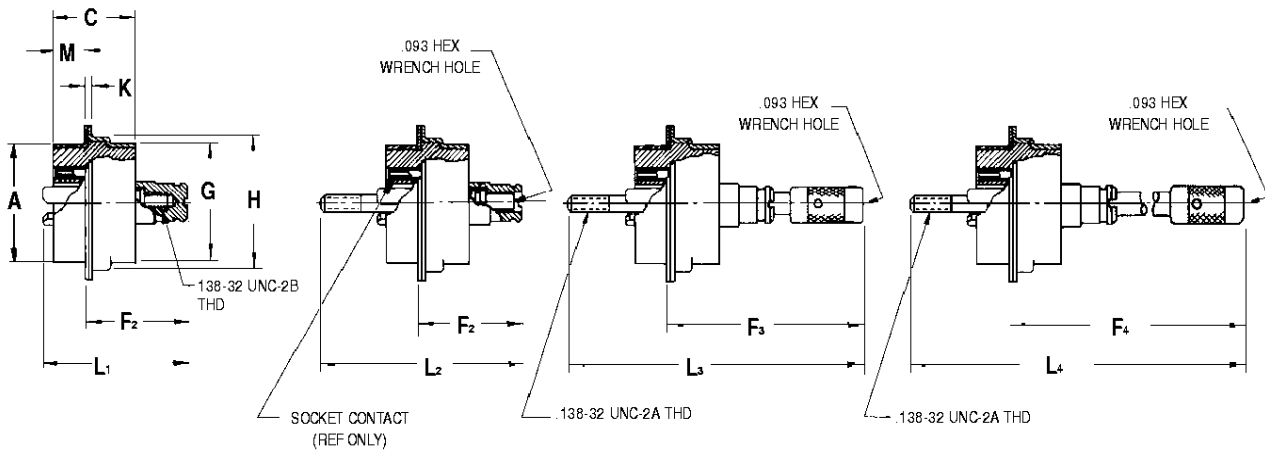
Mates with Plug
Type WB

TYPE WA1A TYPE WA2A

Mates with Plug
Type WB

TYPE WD1A TYPE WD2A

Mates with Plug
Type WB



SHELL SIZE	A	B	C	D	E	F ₂	F ₃	F ₄	G	H	K	L ₁	L ₂	L ₃	L ₄	M	N	R	S	T
	MAX	MAX		MAX	HEX	MAX	MAX	MAX	MAX	MAX		MAX	MAX	MAX	MAX		±.015	±.015	±.015	
10	.432	1.156	.462	1.108	.312	.760	1.360	2.008	.478	.578	.032	1.123	1.625	2.207	2.840	.216	1.625	.725	1.308	1.945
12	.432	1.996	.462	1.948	.312	.760	1.360	2.008	.478	.578	.032	1.123	1.625	2.207	2.840	.216	2.460	.725	2.148	2.780
14	.781	1.380	.462	1.332	.312	.760	1.360	2.008	.830	.930	.032	1.123	1.625	2.207	2.840	.216	1.718	1.077	1.532	1.990
16	.616	2.004	.462	1.956	.312	.760	1.360	2.008	.655	.578	.032	1.123	1.625	2.207	2.840	.216	2.470	.902	2.156	2.790
18	.626	3.342	.462	3.307	.312	.760	1.360	2.008	.655	.578	.036	1.123	1.625	2.207	2.840	.212	3.808	.902	3.494	4.128