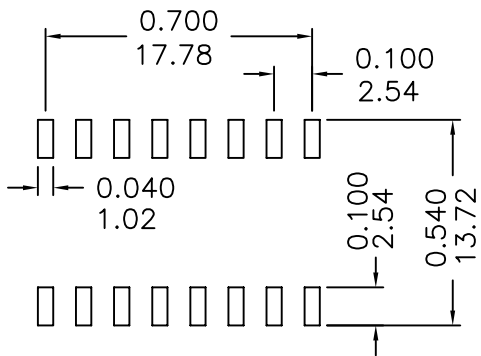
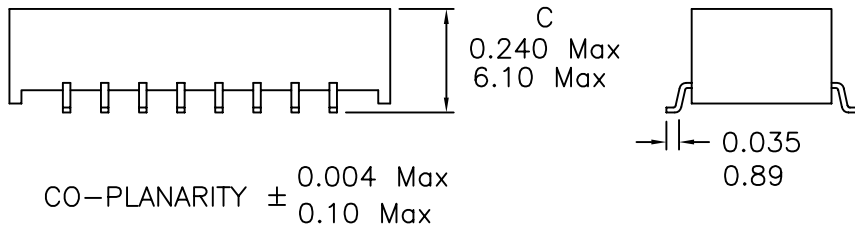
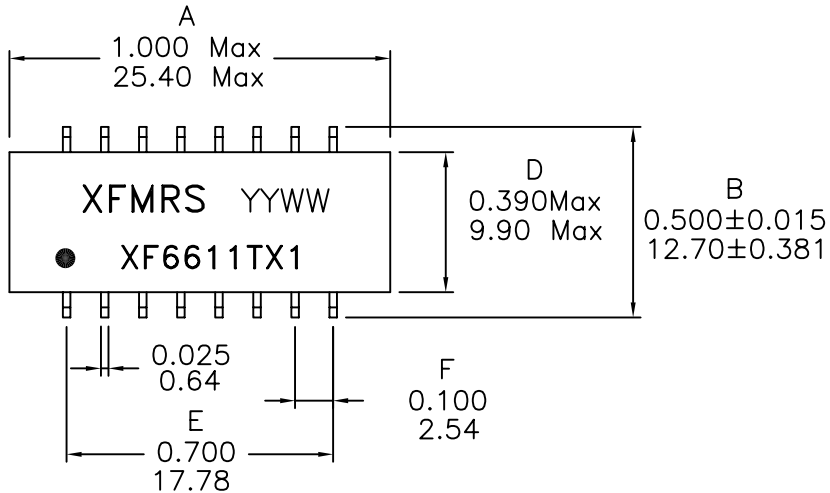


1. Mechanical Dimensions:

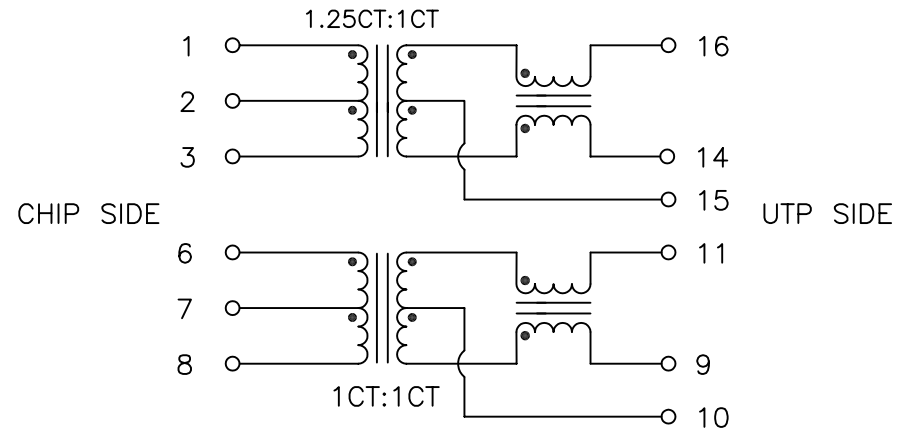


SUGGESTED FOOTPRINT

Notes:

1. Solderability: Leads shall meet MIL-STD-202G, Method 208H for solderability.
2. Flammability: UL94V-0
3. ASTM oxygen index: > 28%
4. Insulation System: Class F 155°C. UL file E151556
5. Operating Temperature Range: All listed parameters are to be within tolerance from -40°C to +85°C
6. Storage Temperature Range: -55°C to +125°C
7. Aqueous wash compatible
8. SMD Lead Coplanarity: ±0.004*(0.102mm)
9. Electrical and mechanical specifications 100% tested
10. RoHS Compliant Component

2. Schematic:



3. Electrical Specifications: @25°

UTP Impedance: 100 OHMS

Turns Ratio: TX : 1.25CT:1CT ±2% RX : 1CT:1CT ±2%

Isolation Voltage: 1500 VAC (Input to Output)

UTP Side OCL: 350uH Minimum @100KHz, 100mV 8mADC

Rise Time (10-90%): 2.0ns Typical

Insertion Loss (1M-100MHz): 1.0dB Maximum

Return Loss(5-100MHz): 15dB Typical

CMRR (1MHz-100MHz): 40dB TYPICAL

Crosstalk Attenuation: 30dB Minimum

XFMRS INC. www.XFMRS.com	Title: 10/100BASE-TX MAGNETICS		
	UNLESS OTHERWISE SPECIFIED TOLERANCES: .xxx ±0.010 Inch Dimensions in Inch/mm	P/N: XF6611TX1	REV. C
	DWN.	Mei Chen	Jan-03-10
	CHK.	YK Liao	Jan-03-10
SHT 1 OF 1	APP.	BW	Jan-03-10

DOC. REV. C/2

PROPRIETARY

Document is the property of XFMRS Group & is not allowed to be duplicated without authorization.