

ZONE	REV	SCR NO.	DESCRIPTION	BY	DATE	APPROVED
-	-	31789	NEW RELEASE	JV	8/26/00	D.Manter
-	A	35270	ADDED MATERIAL P/N	SG	5/22/01	LEBLANC
-	B	KLEC-63Z06A.VER02	ADDED NOTE 9	SG	9/14/04	LEBLANC
-	C	DMAG-6BSK00.VER01	ADDED LEAD FREE PLATING OPTION	GKR	05/16/05	S.BAIR
-	D	MLEE-6KGMFU.VER01	REPLACED DRAWING FORMAT	M.LEE	01/20/06	C.SAMMIS
-	E	SBAR-6WJK7S.VER01	TABLE II AND TABLE III MODIFIED	HCL	04/12/06	K.LEBLANC

ASSEMBLY PART NUMBER	BACKPLANE INSULATOR MODULE	K	(L)	TOTAL NUMBER OF SIGNAL CONTACTS	TOTAL NUMBER OF SHIELD CONTACTS
474-X005-0XX	474-0005-072	4	(8.00)	20	5

ASSEMBLY PART NUMBER	SIGNAL CONTACT	CONTACT LENGTH
474-5005-0X1	260-0022-⑥	4.75
474-5005-0X2	260-0021-⑥	6.25
474-5005-0X3	260-0023-⑥	4.25
474-5005-0X4	260-0024-⑥	5.15
474-6005-0X1	260-0002-⑥	4.75
474-6005-0X2	260-0001-⑥	6.25
474-6005-0X3	260-0003-⑥	4.25
474-6005-0X4	260-0004-⑥	5.15

ASSEMBLY PART NUMBER	SHIELD CONTACT (SEE DETAIL W)	SHIELD HEIGHT
474-50XX-0XX	262-0022-⑥	5.3
474-60XX-0XX	262-0002-⑥	5.3

PART NUMBER	REV
474-X005-0XX	N

6 ROW HSD BACKPLANE
5 POSITION WITH
ENDWALLS

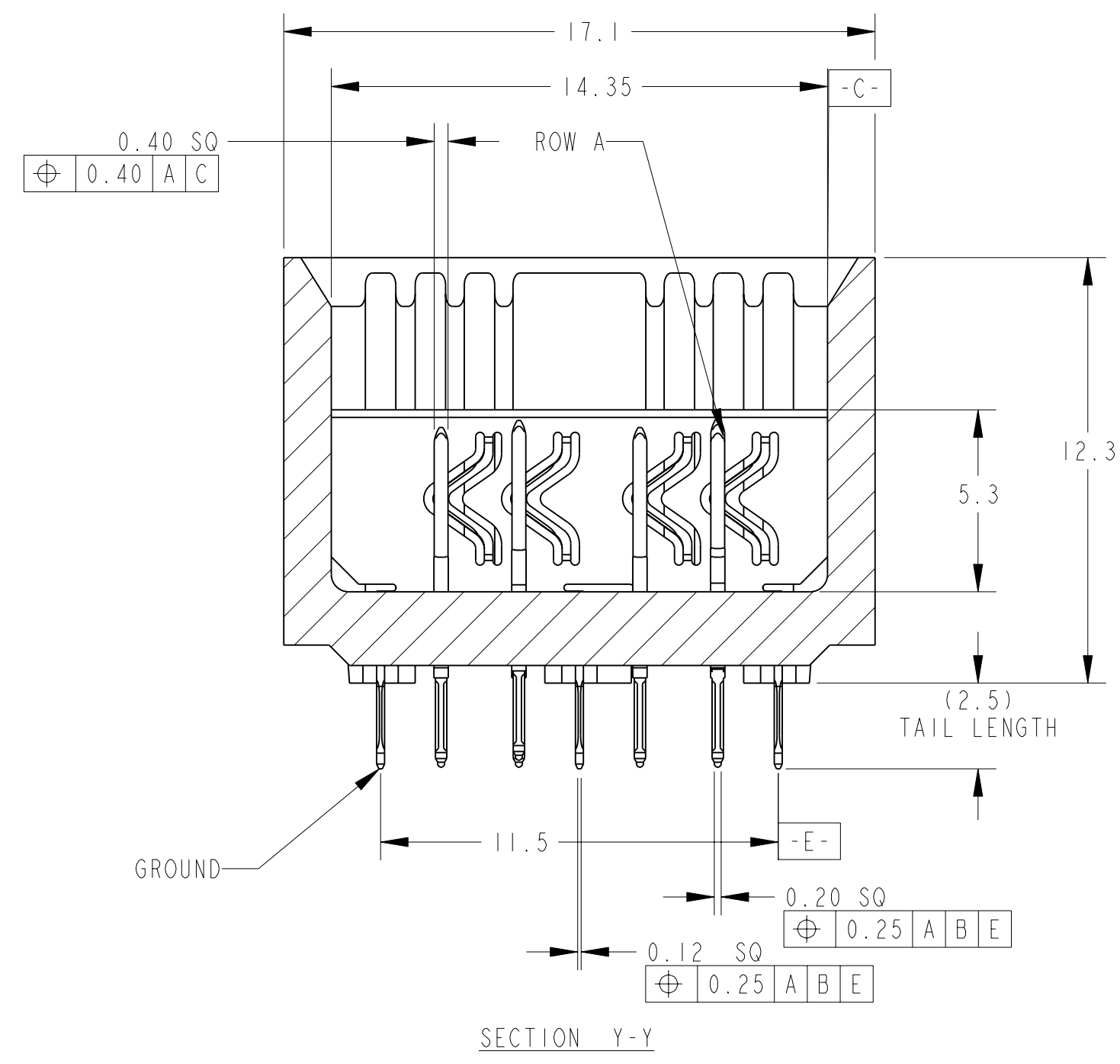
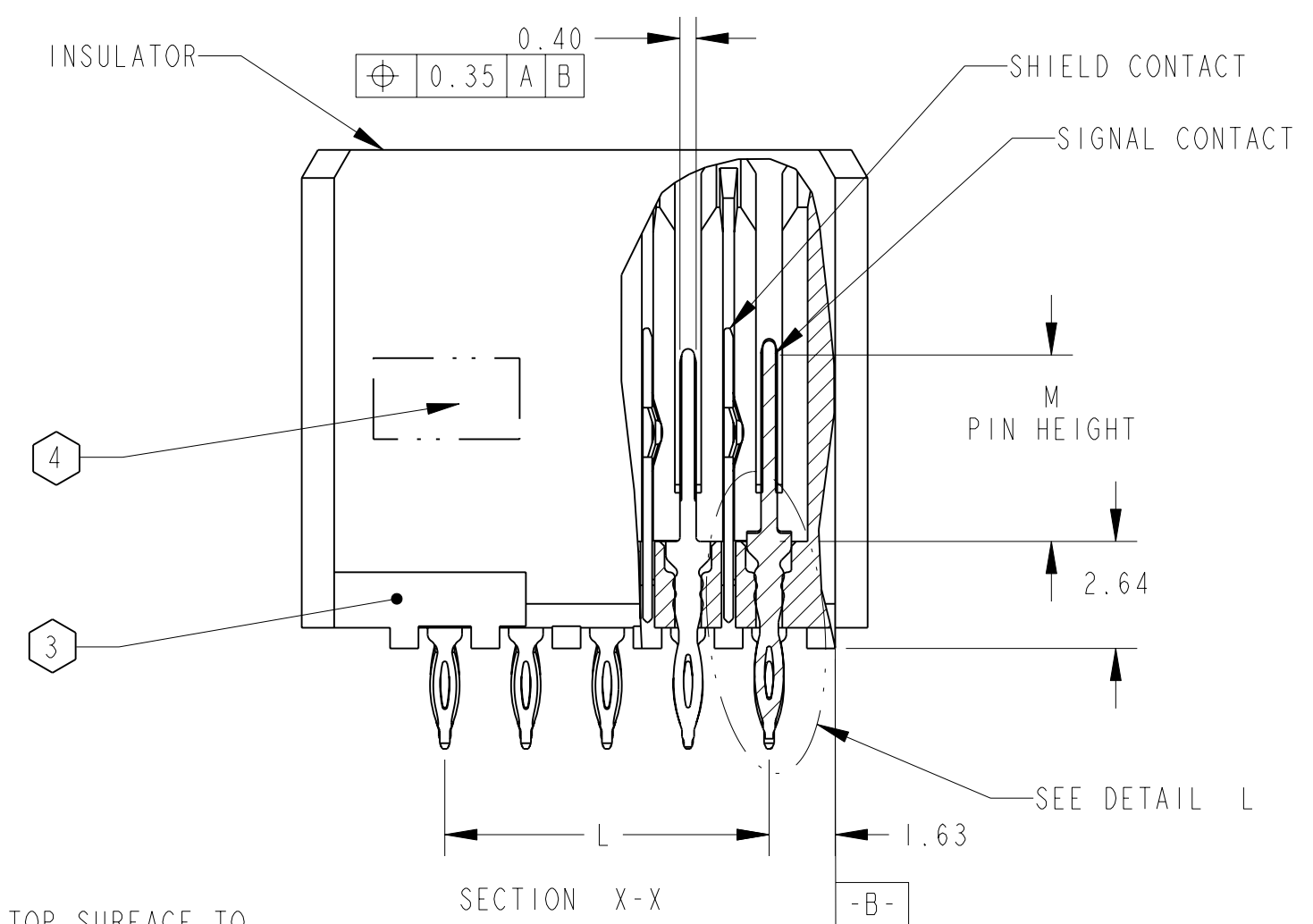
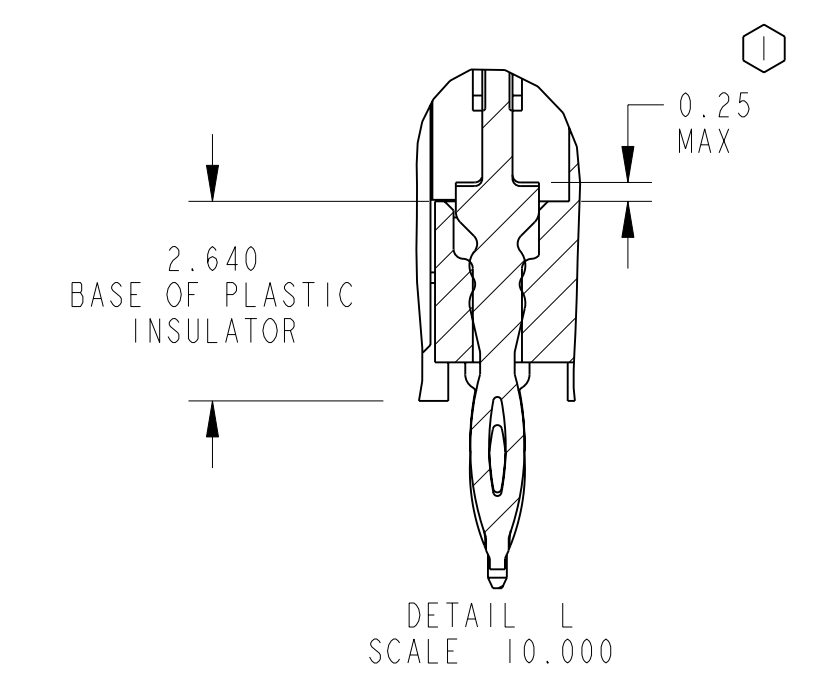
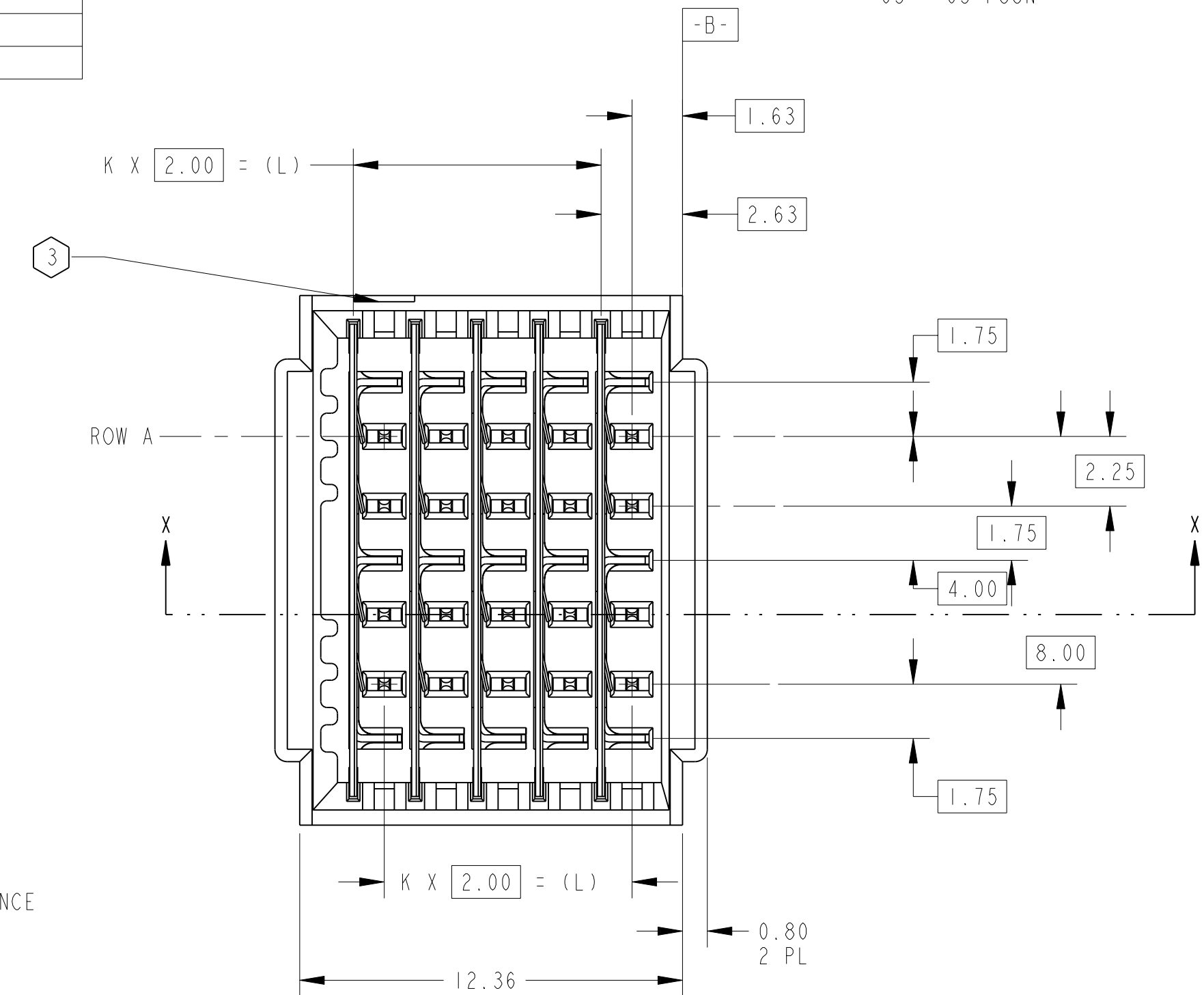
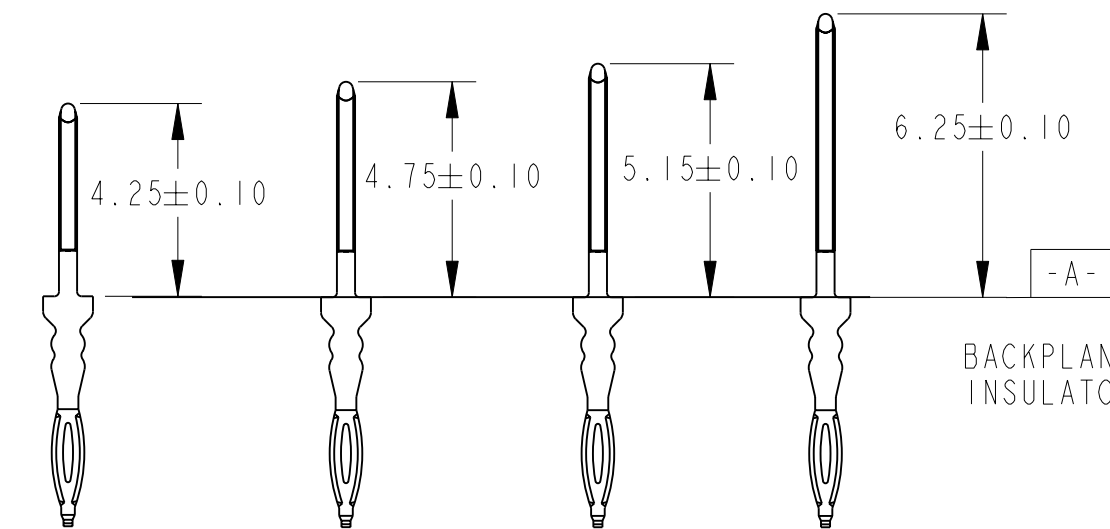
474 -X0 XX - 0 X X

SIGNAL PIN
TAIL LENGTH
1 = 4.75
2 = 6.25
3 = 4.25
4 = 5.15
(SEE TABLE)

2 = CUSTOM LOAD, LEAD FREE
5 = UNIFORM LOAD, 702X
6 = UNIFORM LOAD, BRUSH 60
7 = CUSTOM LOAD, LEADED

NO OF POSN
05 = 05 POSN

PLATING CODE ⑥
0 = 735
1 = 732
2 = 769
3 = 768



NOTE: ① WHEN ASSEMBLED TO BACKPLANE INSULATOR, CONTACTS MUST SEAT FLUSH WITH INSULATOR TOP SURFACE TO MAXIMUM ALLOWABLE GAP OF 0.25.)

② SHIELDS SHALL BE STRAIGHT WITH MAXIMUM ALLOWABLE BOW OF 0.15mm ON EITHER SIDE OF SHIELD. SEE DETAIL X. OPEN NOTCH END DESIGNATES COLUMN 1.

③ PART MARKING AS FOLLOWS:
LINE 1: "TCS" AND DATE CODE (TCS YYWW)
LINE 2: MODULE PART NUMBER (474-#####)
LINE 3: WORK ORDER NUMBER (VH#####) WHERE "*" DENOTES MANUFACTURING LOCATION.

④ IF MODULE PART NUMBER IS 474-7XXX-XXX OR 474-2XXX-XXX, MODULE ORIENTATION, NUMBER OF COLUMNS, PLATING CODE AND SIGNAL CONTACT LOAD ARE NON-APPLICABLE.

⑤ LAST 3 DIGITS OF SIGNAL CONTACT AND SHIELD CONTACT ARE DETERMINED BY PLATING CODE, PER EGS 205.

⑥ FOR HASL ONLY, PTH TO BE Ø0.610 - Ø0.495mm

⑦ ROUTE DIFFERENTIAL PAIRS THROUGH PINS A-B AND D-E.

⑧ ALL PART NUMBERS ARE AT REVISION N, EXCEPT PART NUMBERS 474-7XXX-XXX AND 474-2XXX-XXX, UNLESS OTHERWISE SPECIFIED.

INTERPRET PER ASME Y14.5M
CODE IDENT 31413

TOLERANCES	DESIGN	7/25/00	D.Manter
0.0	±0.25	DRWN	7/25/00
0.0	±0.13	CHK	8/26/00
0.000	±	APVD	8/26/00
ANGLES	±		

UNLESS OTHERWISE SPECIFIED DIMENSIONS ARE IN MM. DECIMAL MAKER IS PERIOD

CUSTOMER USE DRAWING

Amphenol TCS A Division of Amphenol Corporation 44 Simon Street, Nashua, NH, 03060 603.879.3000	
TITLE	BACKPLANE MODULE ASSEMBLY ENDWALL, 6 ROW HSD
PART NO.	SEE TABLES IV
DRAWING NO.	C-474-5005-500
PROJ ASSEM	API018-BP-ENDWALL-CUST-USE
SCALE	6.000
SIZE	D
SHEET	1 OF 2

DRW NO. C-474-5005-500

SH I REV E

8

7

6

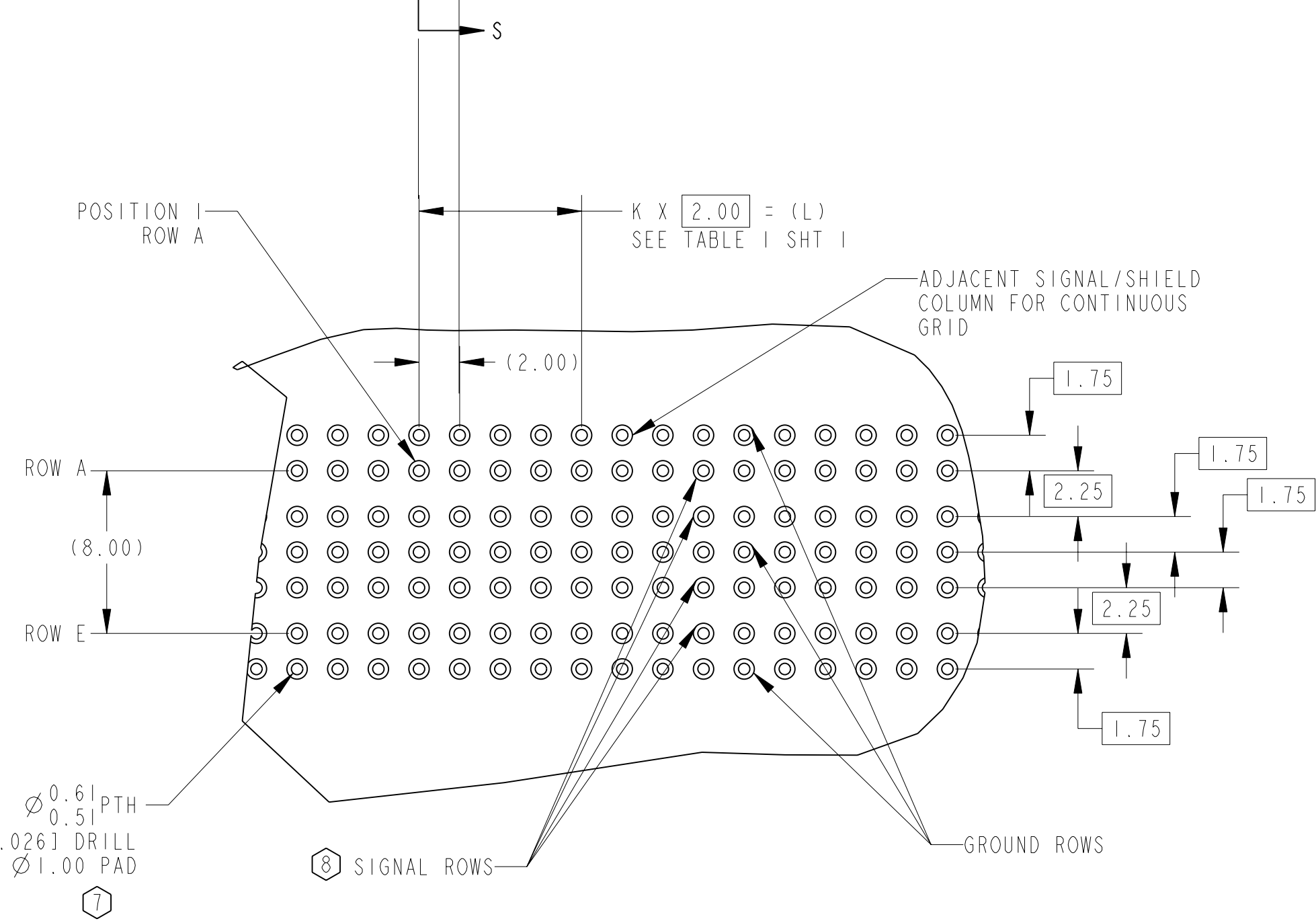
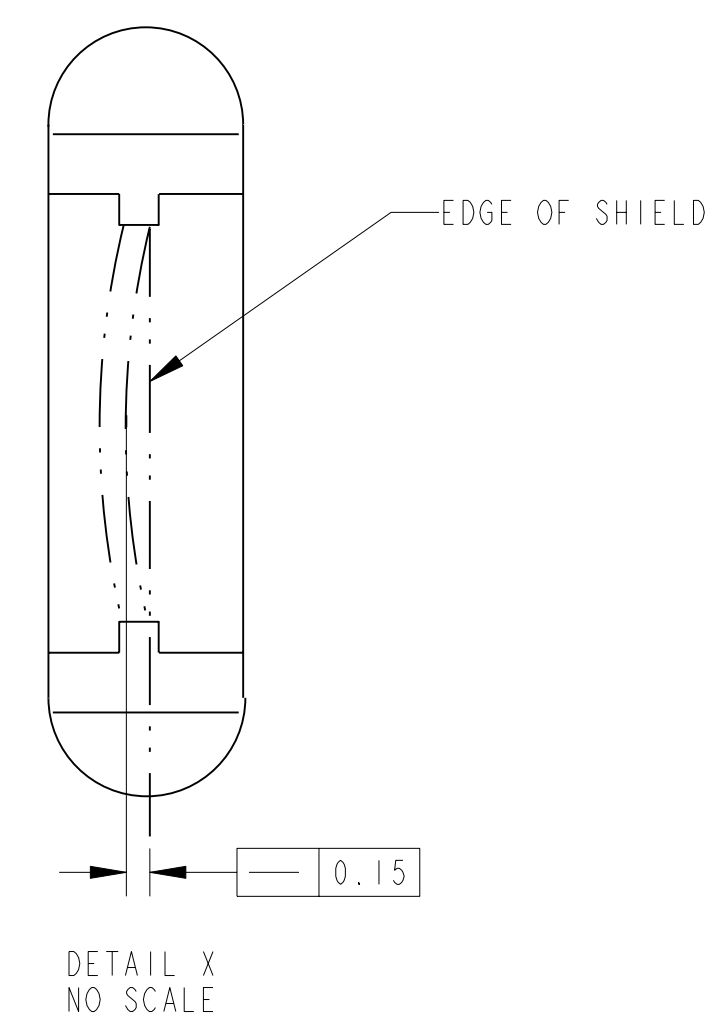
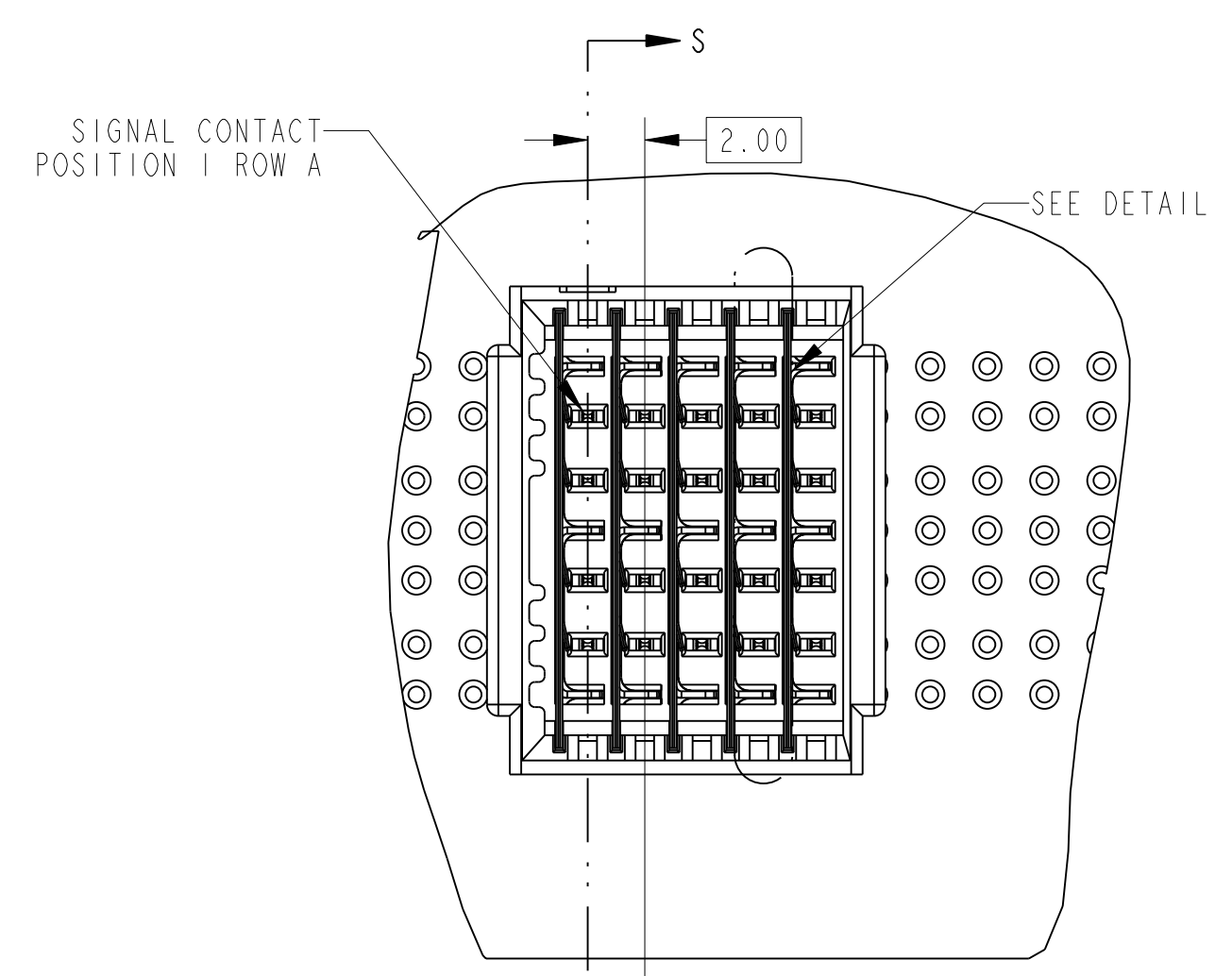
5

4

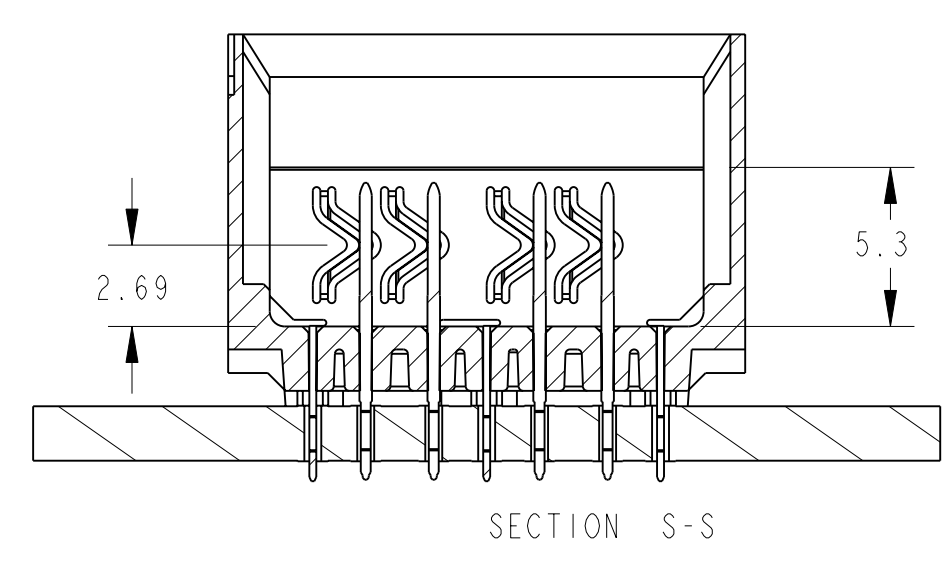
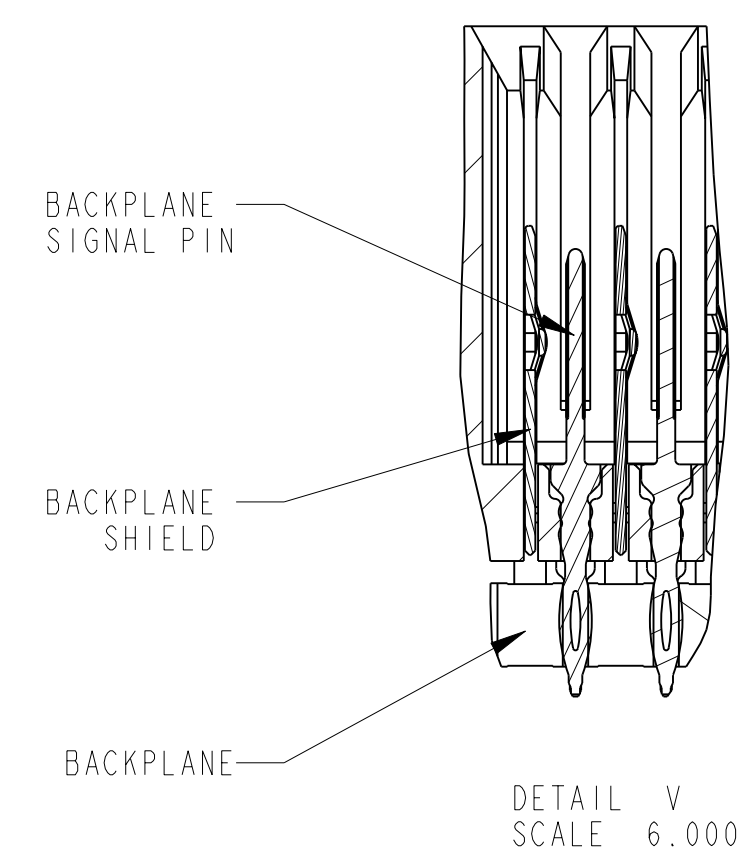
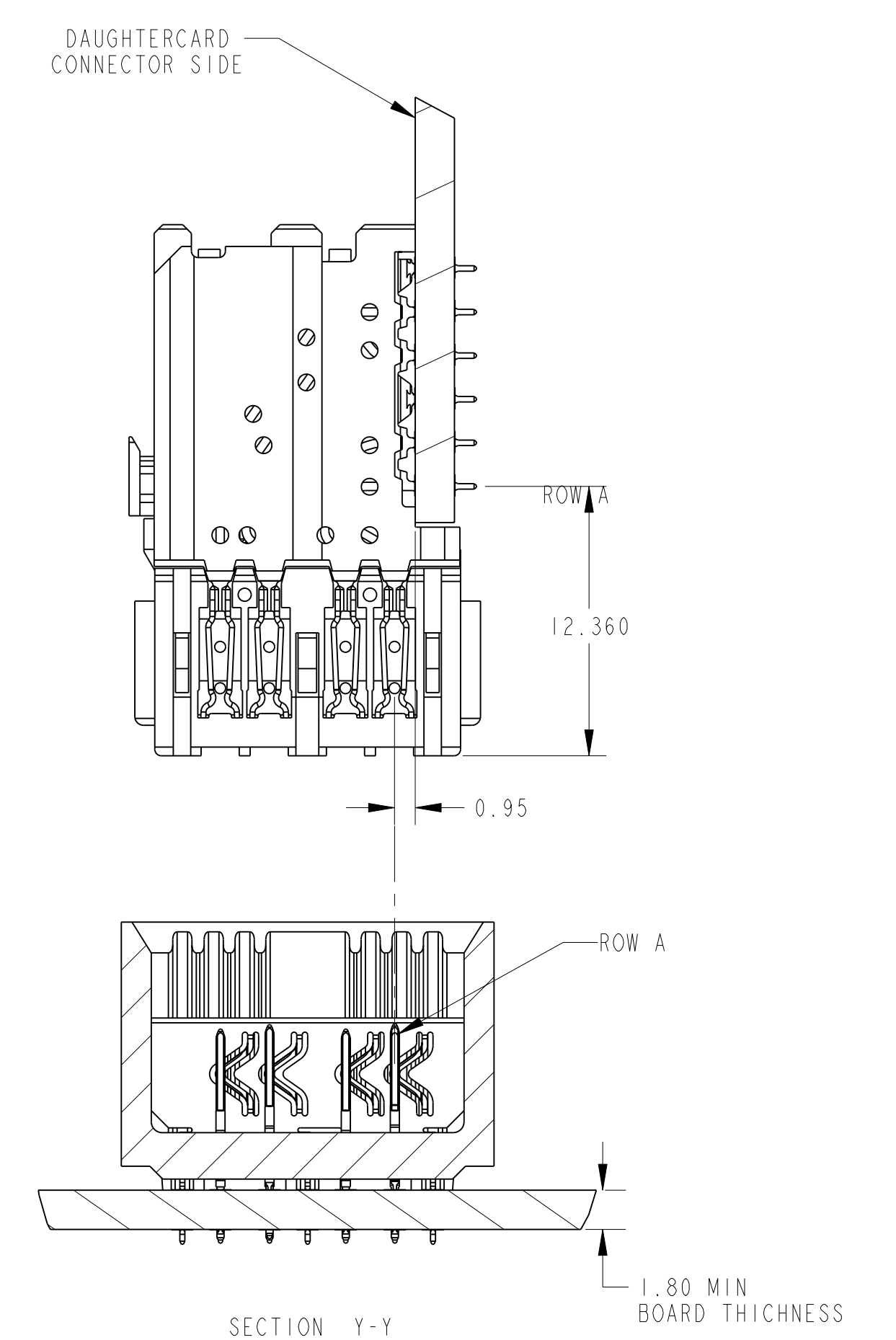
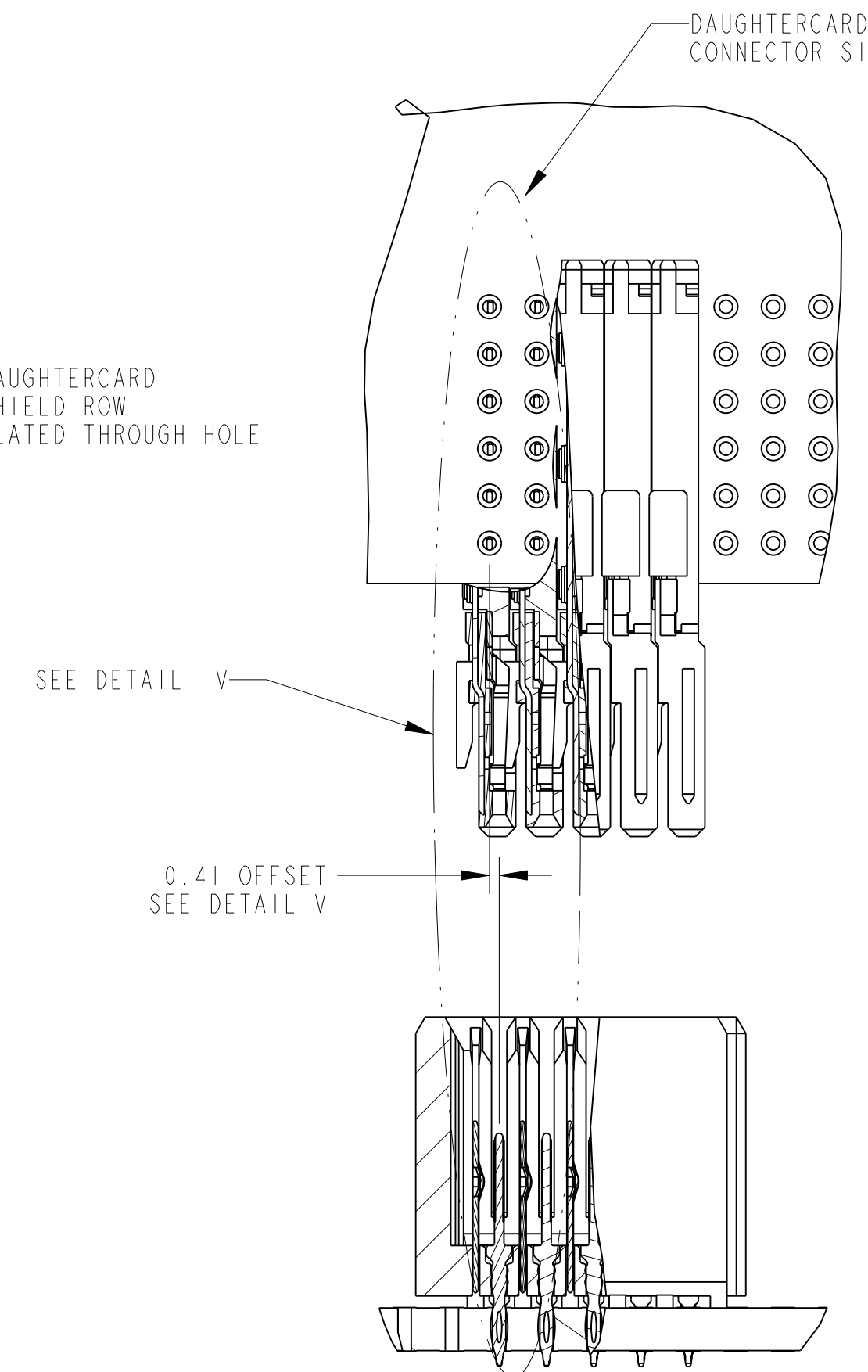
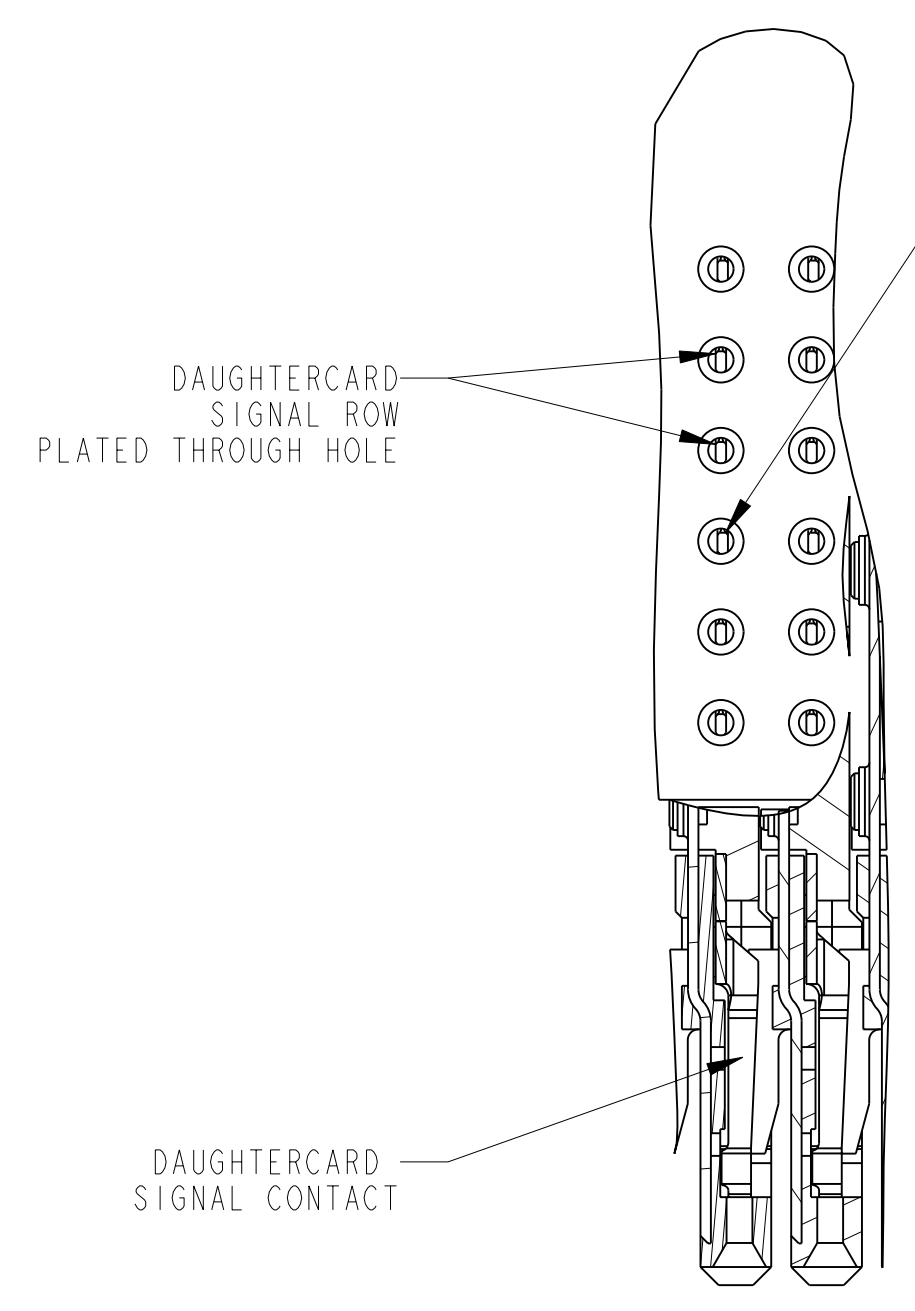
3

DRW NO. C-474-5005-500 SH 2 REV E

ZONE	REV	SCR NO.	DESCRIPTION	BY	DATE	APPROVED
			SEE SHEET I			



BACKPLANE HOLE PATTERN
SIGNAL MODULE
(CONNECTOR SIDE)



INTERPRET PER ASME Y14.5M
CODE IDENT 31413

TOLERANCES	DESIGN 7/25/00	D.Manter
0.0	±0.25	
0.00	±0.13	
0.000	± -	
ANGLES	± -	

UNLESS OTHERWISE SPECIFIED DIMENSIONS ARE IN MM. DECIMAL MAKER IS PERIOD

CUSTOMER USE DRAWING

Amphenol TCS A Division of Amphenol Corporation 44 Simon Street, Nashua, NH, 03060 603.879.3000	
TITLE	BACKPLANE MODULE ASSEMBLY ENDWALL, 6 ROW HSD
PART NO.	SEE TABLES IV
DRAWING NO.	C-474-5005-500
PROE ASSEM	API018-BP-ENDWALL-CUST-USE .1.9
API018-BP-ENDWALL-CUST-USE .drw	1.24
SIZE D	SCALE 4.000
SHEET 2 OF 2	

DRW NO. C-474-5005-500

SH 2 REV E