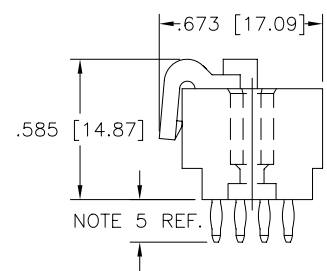
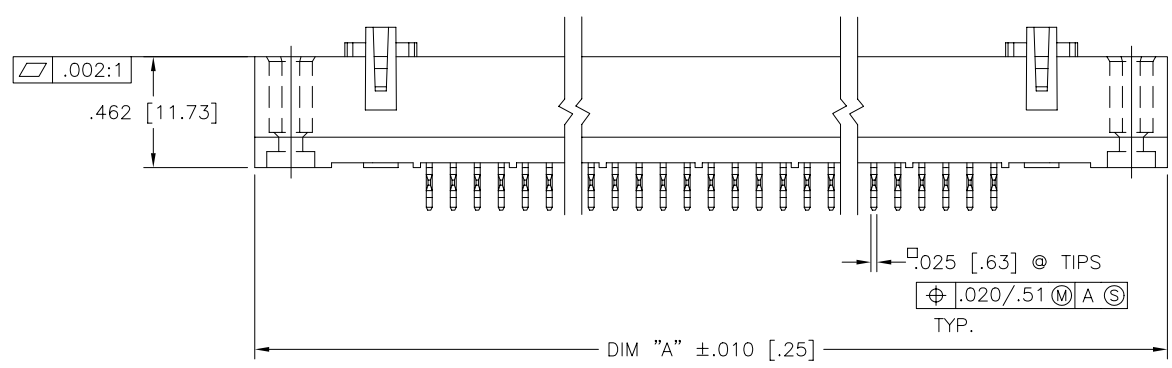
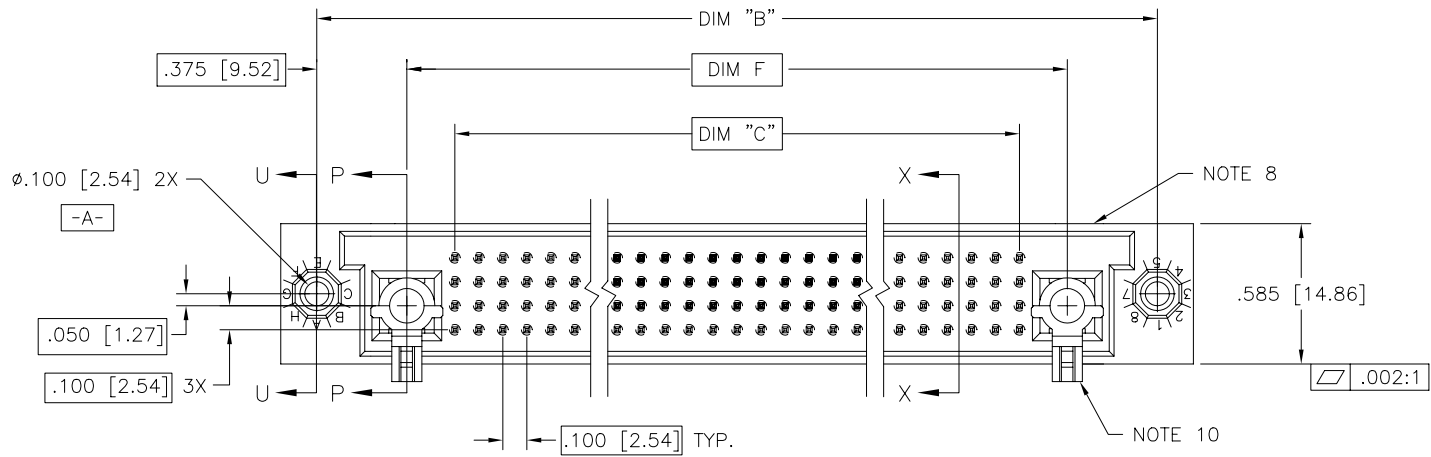


PRODUCT NUMBER
SEE NOTE 1



mat'l. code NOTE 3		surface ISO 1302 ✓		tolerance ISO 406 ISO 1101		projection INCH/MM		product family HPC	
ltr	ecn	no	dr	date	tolerances unless otherwise specified		INCH/MM	title	
A	v22185	RDS	5/11/92	angles	.xx ±.01/.3			4 ROW VERTICAL HEADER	
B	v40259	PDP	1/14/94	linear	.xxx ±.005/.13		scale 1:1	PRESS FIT, 0 G. P., 2 P.P.	
C	v41237	GAH	8/17/94	σ±2'	.xxxx ±.0020/.051			dwg no	
D	v91066	DLW	5/12/99	dr	D. SHEAFFER	5/07/92	FCI	sheet 1 of 2 size	
E	v00273	JWS	2/01/00	enfr	S. CLARK	5/11/92		50512 A3	
F	M06-0261	AEA	7/08/06	chr	S. CLARK	5/11/92		type Product Customer Drawing	
sheet index		revision	F	F					
sheet		1	2						

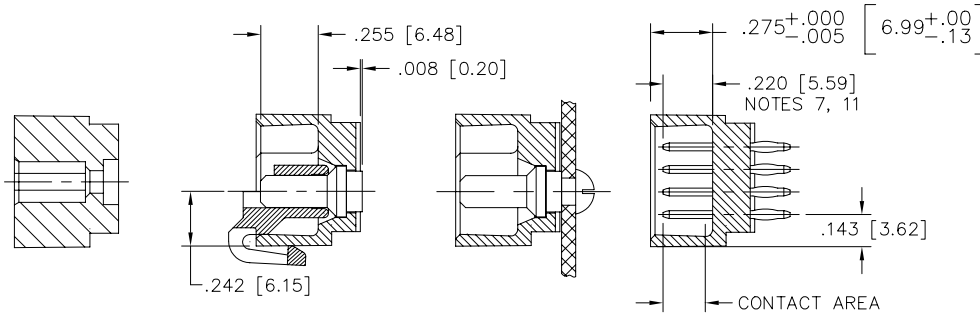


Copyright FCI

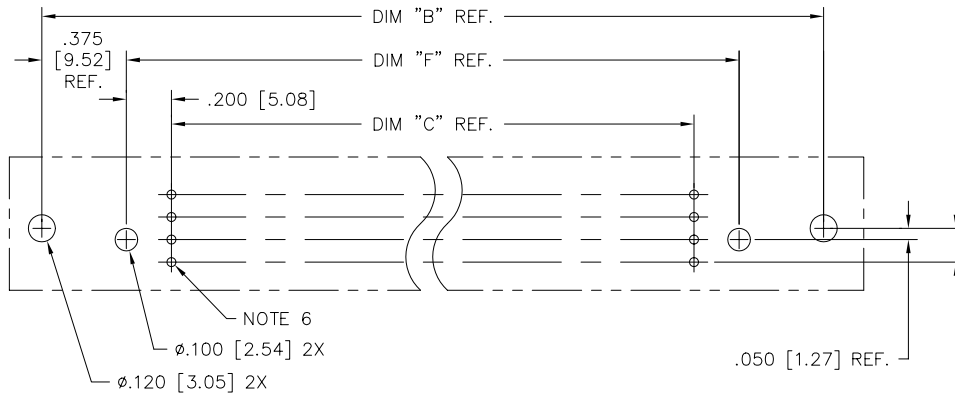
PRODUCT NUMBER	DIM.	LENGTH FORMULAS
SEE NOTE 1	DIM "A"	.100/2.54 x NO. OF COLUMNS +1.35/34.3
	DIM "B"	.100/2.54 x NO. OF COLUMNS +1.050/26.67
	DIM "C"	.100/2.54 x NO. OF COLUMNS -.100/2.54
	DIM "F"	.100/2.54 x NO. OF COLUMNS +.300/7.62

NOTES:

- PRODUCT NUMBERING CODE:
50512 - X YYY Z
TAIL LENGTH (NOTE 5)
NO. OF POSITIONS (NOTE 2)
PLATING (NOTE 4)
BASE NUMBER
- THIS PRODUCT IS CONFIGURED IN SIZES OF 6 thru 80 COLUMNS IN INCREMENTS OF ONE.
i.e.: 6,7,8,9.....79,80.
- HOUSING MATERIAL: GLASS AND MINERAL FILLED HIGH TEMP.THERMOPLASTIC. FLAME RETARDANT PER UL94V-0. COLOR: BLACK.
PIN MATERIAL: PHOS BRONZE
- PLATING CONTACT AREA OPTIONS:
A = 50u" Ni UNDER ALL WITH 30u" Au ON CONTACT AREA, SnPb ON PCB INTERFACE AND Au FLASH ON ALL OTHER AREAS.
C = 50u" Ni UNDER ALL WITH 30u" Au ON CONTACT AREA, SnPb ON PCB INTERFACE, 30u" ON TAIL SIDE CONTACT AREA, AND Au FLASH ON ALL OTHER AREAS.
- TAIL LENGTH OPTIONS:
FOR PLATING OPTION "A":
A = .177/4.5
G = .250/6.35
FOR PLATING OPTION "C":
C = .533/13.54
D = .733/18.62
- ø.0453/1.151 DRILLED HOLE PLATED WITH .0003/.007 MIN. SnPb OVER .001/.03 to .003/.08 Cu. PLATING TO ACHIEVE A ø.040±.003/1.02±.08 HOLE.
- TO ASSURE PROPER INSTALLATION: TOOLING, AS SPECIFIED IN INSTRUCTION MANUAL 155915-001 MUST BE USED. PIN MATING LENGTH WILL BE ±.002/.05 AFTER INSTALLATION.
- MANUFACTURERS NAME, PART NUMBER AND LOT CODE TO APPEAR ON THIS SURFACE PER BUS-12-108.
- FOR DOCUMENTATION MENU, SEE BUS-01-057.
- POWER PIN LOCATOR (REF. 50234) TO BE REMOVED AFTER INSTALLATION.
- REFERENCE 50804 FOR F.M.L.B. OPTIONS AND WORKSHEET.



SECTION U-U SECTION P-P (W/LOCATOR, SEE DETAIL P) DETAIL P (INSTALLED IN PCB, NOTE 10) SECTION X-X



RECOMMENDED PCB LAYOUT (ALL HOLES LOCATED ON .100/2.54 GRID UNLESS OTHERWISE SPECIFIED)

mat'l. code		surface		tolerance		projection		product family	
-		ISO 1302 ✓		ISO 406		ISO 1101		HPC	
ltr		ecn no dr		date		tolerances unless otherwise specified		title	
F						.xx ±.01/.3		4 ROW VERTICAL HEADER	
						.xxx ±.005/.13		PRESS FIT, 0 G. P., 2 P.P.	
						.xxxx ±.0020/.051		scale 1:1	
		dr		D. SHEAFFER		5/07/92		dwg no	
		enrg		S. CLARK		5/11/92		sheet 2 of 2 size	
		chr		S. CLARK		5/11/92		50512 A3	
		appd		S. CLARK		5/11/92		type Product Customer Drawing	
sheet index		revision sheet							