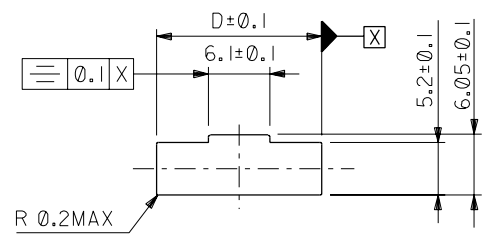
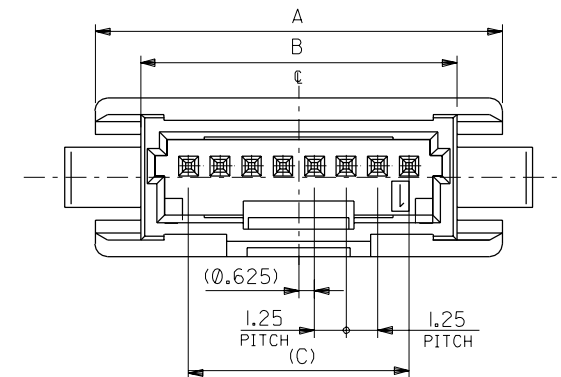
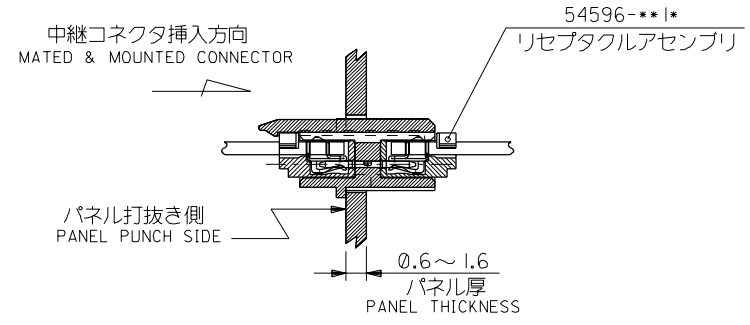


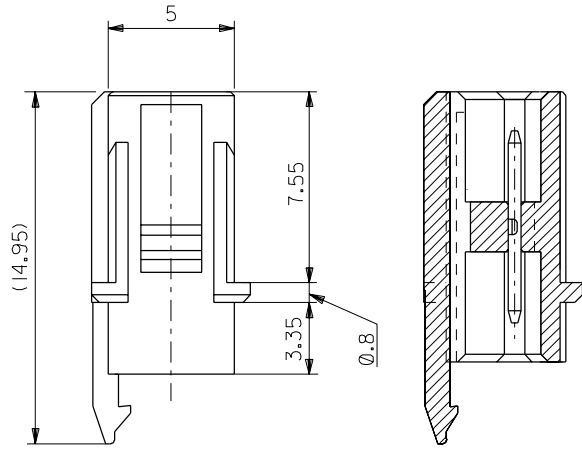
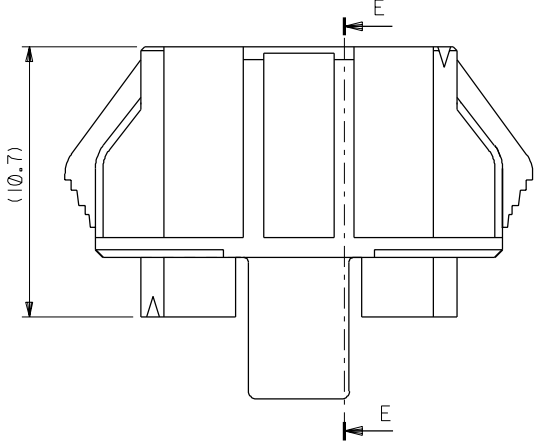
DWG. NO. SD-55482-003



推奨パネル加工寸法 (SCALE:2-1)  
RECOMMENDED PANEL CUT DIMENSION



嵌合状態図  
MATED & MOUNTED CONNECTOR



SECTION E-E

注記  
NOTES

1. 材質  
MATERIAL  
ウエハー: ナイロン, UL94-V0  
WAFER: NYLON, UL94-V0  
ピン: 黄銅, スズメッキ  
PIN: BRASS, PRE-TINNED
2. 嵌合相手  
MATE WITH  
リセプタクルアセンブリ: 54596-\*\*\*1\*  
REC. ASS'Y: 54596-\*\*\*1\*  
ピン: 黄銅, スズメッキ  
PIN: BRASS, PRE-TINNED

31.35	23.75	27.55	31.15	20	55482-2010
30.1	22.5	26.3	29.9	19	55482-1910
28.85	21.25	25.05	28.65	18	55482-1810
27.6	20	23.8	27.4	17	55482-1710
26.35	18.75	22.55	26.15	16	55482-1610
25.1	17.5	21.3	24.9	15	55482-1510
23.85	16.25	20.05	23.65	14	55482-1410
22.6	15	18.8	22.4	13	55482-1310
21.35	13.75	17.55	21.15	12	55482-1210
20.1	12.5	16.3	19.9	11	55482-1110
18.85	11.25	15.05	18.65	10	55482-1010
17.6	10	13.8	17.4	9	55482-0910
16.35	8.75	12.55	16.15	8	55482-0810
15.1	7.5	11.3	14.9	7	55482-0710
13.85	6.25	10.05	13.65	6	55482-0610
12.6	5	8.8	12.4	5	55482-0510
11.35	3.75	7.55	11.15	4	55482-0410
10.1	2.5	6.3	9.9	3	55482-0310
8.85	1.25	5.05	8.65	2	55482-0210

55482-\*\*\*10

D	C	B	A	CKT	MATERIAL NO.	MODEL NO.
DIMENSIONS: <input type="checkbox"/> mm <input type="checkbox"/> INCH <input checked="" type="checkbox"/> mm ONLY						
GENERAL TOLERANCES: (UNLESS SPECIFIED) 一般公差 10 UNDER 未満 ±0.2 10 OVER 30 UNDER 未満 ±0.25 30 OVER 以上 ±0.3 ANGLE 角度 ±3°						
SCALE 5-1		DESIGN UNITS <input checked="" type="checkbox"/> mm <input type="checkbox"/> INCH		THIRD ANGLE PROJECTION		
DRAWN BY & DATE M.ISOGAYA '01/06/27			TITLE: Mini MiII-ROW RELAY WAFER ASS'Y			
CHECKED BY & DATE S. Ichikawa			APPROVED BY & DATE Y.Ito			
CAD FILENAME 55482003.S01			MATERIAL NO. SEE CHART		DRAWING NO. SD-55482-003	
SHT 1 OF 1			REVISE ON CAD ONLY		MATERIAL NO. DRAWING NO. SD-55482-003	
THIS DRAWING CONTAINS INFORMATION THAT IS PROPRIETARY TO MOLEX INCORPORATED AND SHOULD NOT BE USED WITHOUT WRITTEN PERMISSION.						SIZE B

DO NOT SCALE DRAWING

EC NO. DRWN: CHK: APPR:	EC NO. DRWN: CHK: APPR:	EC NO. DRWN: CHK: APPR:	変更 REVISED EC NO. J2002-0367 DRWN: M.ISOGAYA CHK: S.ICHIKAWA APPR: Y.O.ITO	新規作成 RELEASED EC NO. JD2001-1755 DRWN: M.ISOGAYA CHK: S.ICHIKAWA APPR: Y.ITO	MATERIAL 材料 SEE CHART	FINISH 仕上げ —	WIRE RANGE 適用線径範囲 —	INS. RANGE 被覆外径 —
----------------------------------	----------------------------------	----------------------------------	---	---	-----------------------------	--------------------	---------------------------	-------------------------