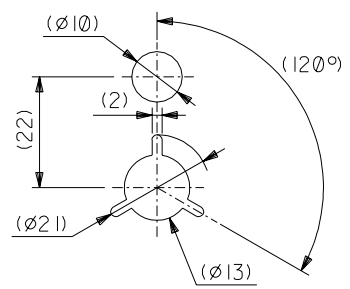
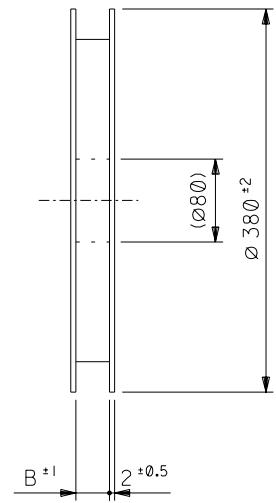
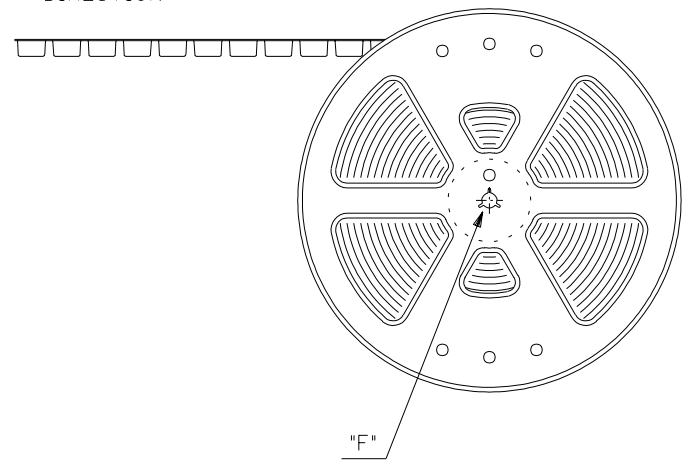


DWG. NO. SD-55560-007

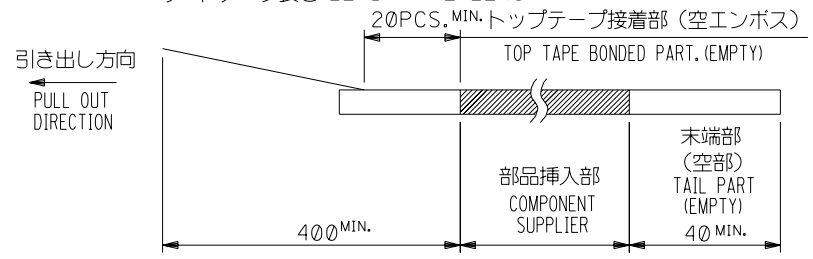
引き出し方向
PULL OUT
DIRECTION



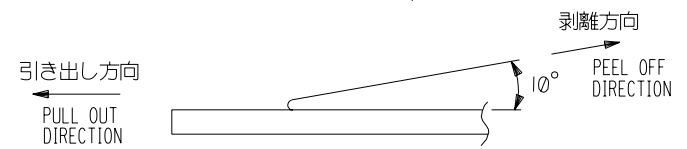
DETAIL "F"

NOTES

- 製品詳細寸法については図面 SD-55560-006 を参照下さい。
RE DETAILED DIMENSION, SEE SD-55560-006
- 梱包数量：3000個/リール
NUMBER OF CONNECTORS : 3000PCS/REEL
- リードテープ長さ LEAD TAPE LENGTH
20PCS. MIN. トップテープ接着部 (空エンボス)



- トップテープの剥離強度：0.1N ~ 0.7N(10.2gf ~ 71.4gf)
(剥離方向は下図参照)
尚、本規格値は出荷時に適用。(但し、輸送時に剥離が発生しないこと。)
PEELING OFF FORCE OF TOP TAPE : 0.1N ~ 0.7N(10.2gf ~ 71.4gf)
(PEELING DIRECTION AS SHOWN IN FOLLOWING FIG.)
THIS REQUIREMENT SHOULD BE APPLIED AT SHIPMENT.
PEEL OFF SHOULD NOT BE ALLOWED , DURING TRANSPORTATION.



- 材料
キャリアテープ：ポリプロピレン (PP)
トップテープ：PET, PE, PEF
リール：ポリスチレン (PS) <リサイクル材を含む>

MATERIAL CARRIER TAPE: POLYPROPYLENE
TOP TAPE: PET, PE, PEF
REEL: POLYSTYRENE (PS)
<RECYCLE MATERIAL CONTAINED>

DO NOT SCALE DRAWING

①64 NO. DRAWN: CH'K: APPR:		①63 NO. DRAWN: CH'K: APPR:		①62 NO. DRAWN: CH'K: APPR:		REVISED ①61 NO. J2003-2517 DRAWN: S.AIHARA '03/03/31 CH'K: M.SASAO APPR: M.SASAO		REVISED ①60 NO. J2003-1929 DRAWN: T.YASUI '03/1/23 CH'K: T.IITO APPR: T.IITO		MATERIAL 材料 注記参照 SEE NOTES		GENERAL TOLERANCES: (UNLESS SPECIFIED) 一般公差		SCALE 1/1		MODEL NO. 55560-***7 DESIGN UNITS <input checked="" type="checkbox"/> mm <input type="checkbox"/> INCH		DIMENSIONS: <input type="checkbox"/> mm <input type="checkbox"/> INCH <input checked="" type="checkbox"/> mm ONLY		SHT REV					
						F		E		REV		10 UNDER 未満 ±0.2 10 OVER 30 UNDER 未満 ±0.25 30 OVER 以上 ±0.3		DRAWN BY & DATE S.AIHARA '00/10/16		TITLE: 0.5 B-To-B Conn PLUG Assy (Hgt=1.5) Embstp Pkg									
										WIRE RANGE 適用 被覆 範囲 //		ANGLE 角度 ±3°		APPROVED BY & DATE M.SASAO '03/03/31		MOLEX INCORPORATED									
										INS. RANGE 被覆 外径 //		CAD FILENAME 55560007.S01		MATERIAL NO. SEE CHART		DRAWING NO. SD-55560-007		SHEET NO. 1 OF 5							
												THIS DRAWING CONTAINS INFORMATION THAT IS PROPRIETARY TO MOLEX INCORPORATED AND SHOULD NOT BE USED WITHOUT WRITTEN PERMISSION.												SIZE B	

DWG. NO. SD-55560-007

8 7 6 5 4 3 2 1

F

D

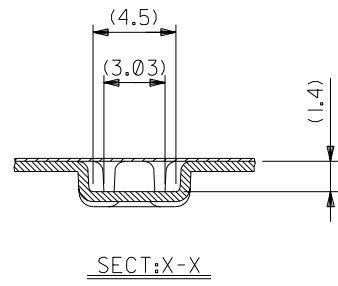
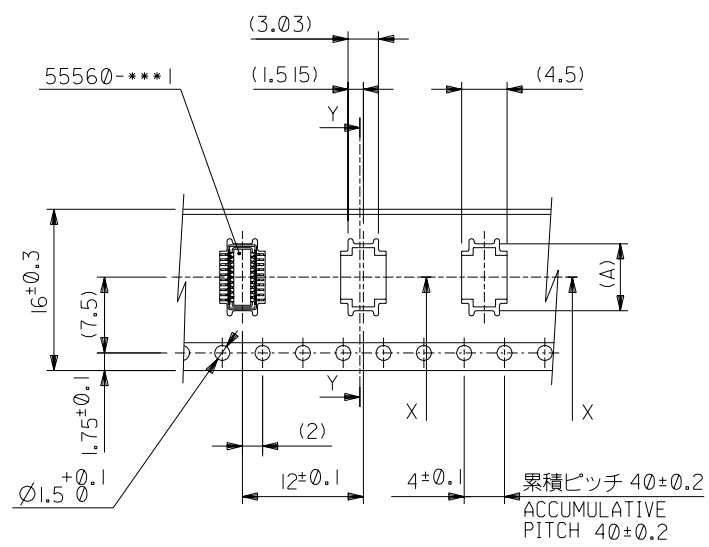
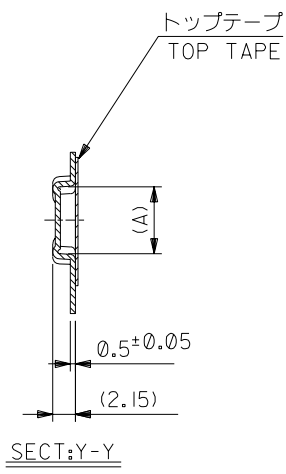
V

C

B

DO NOT SCALE DRAWING

引き出し方向
PULL OUT
DIRECTION



16mm幅キャリアテープ
16mm WIDTH CARRIER TAPE

16	17.5	6.65	55560-0207	20
キャリアテープ幅 CARRIER TAPE WIDTH		B	(A)	極数 CIRCUIT
MODEL NO.		55560-***7		DIMENSIONS: SHT REV

64NO. DRAWN: CHK: APPR:	63NO. DRAWN: CHK: APPR:	62NO. DRAWN: CHK: APPR:	REVISED J2003-2517 DRAWN: S.AIHARA '03/03/31 CHK: M.SASAO APPR: M.SASAO	REVISED J2003-1929 DRAWN: T.YASUI '03/1/23 CHK: T.IITO APPR: T.IITO	MATERIAL 材料 SHEET 1 OF 5 参照 REFER TO SHEET 1 OF 5
					GENERAL TOLERANCES: (UNLESS SPECIFIED) 一般公差
					FINISH 仕上げ //
					WIRE RANGE 適用層線範囲 //
					INS. RANGE 被覆外径 //

SCALE	DESIGN UNITS	PROJECTION	ANGLE	UNITS
//	mm INCH	mm ONLY	PROJ	mm INCH
10 UNDER 未満	±0.2			
10 OVER 以上 30 UNDER 未満	±0.25			
30 OVER 以上	±0.3			
ANGLE 角度	±3°			

DRAWN BY & DATE	TITLE:		
S.AIHARA '00/10/ 6	0.5 B-To-B Conn PLUG Assy (Hgt=1.5) Embstp Pkg		
CHECKED BY & DATE	MATERIAL NO.		
M.SASAO '03/03/31	DRAWING NO.		
APPROVED BY & DATE	SHEET NO.		
M.SASAO '03/03/31	2 OF 5		
CAD FILENAME	SEE CHART		
55560007.S02	SD-55560-007		
THIS DRAWING CONTAINS INFORMATION THAT IS PROPRIETARY TO MOLEX INCORPORATED AND SHOULD NOT BE USED WITHOUT WRITTEN PERMISSION.			
			SIZE B

8 7 6 5 4 3 2 1 EN-02J(097) MXJ-54

F

E

D

C

B

A

55560007.S02

DWG. NO. SD-55560-007

8 7 6 5 4 3 2 1

F

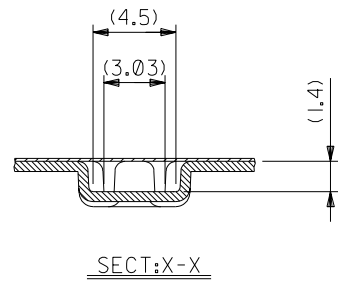
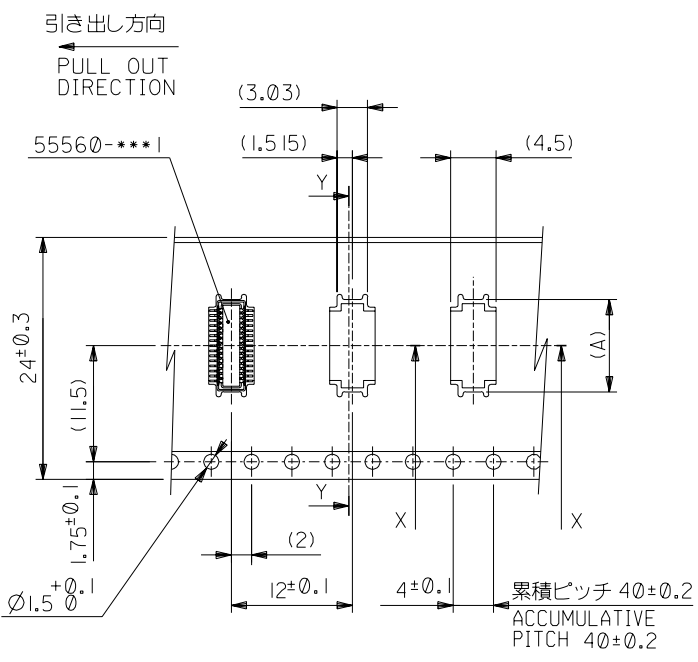
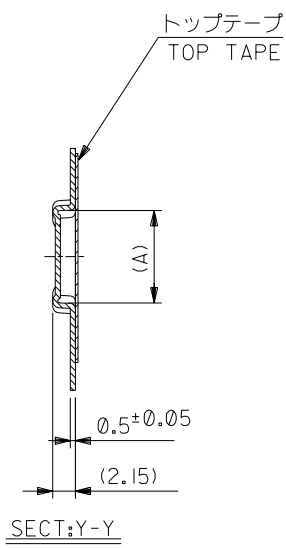
D

V

C

B

DO NOT SCALE DRAWING



24mm幅キャリアテープ
24mm WIDTH CARRIER TAPE

24	25.5	14.15	55560-0507	50	
		13.15	55560-0467	46	
		11.65	55560-0407	40	
		10.15	55560-0347	34	
		9.15	55560-0307	30	
		7.65	55560-0247	24	
キャリアテープ幅 CARRIER TAPE WIDTH		B	(A)	MATERIAL NO.	極数 CIRCUIT
MODEL NO.		55560-***7		DIMENSIONS: SHT REV	

64NO. DRWN: CH'K: APPR:	63NO. DRWN: CH'K: APPR:	62NO. DRWN: CH'K: APPR:	REVISED 61NO. J2003-2517 DRWN: S.AIHARA '03/03/31 CH'K: M.SASAO APPR: M.SASAO	REVISED 60NO. J2003-1929 DRWN: T.YASUI '03/1/23 CH'K: T.IITO APPR: T.IITO
MATERIAL 材料 SHEET 1 OF 5 参照 REFER TO SHEET 1 OF 5				
FINISH 仕上げ //				
WIRE RANGE 適用層線範囲 //				
INS. RANGE 被覆外径 //				

GENERAL TOLERANCES: (UNLESS SPECIFIED) 一般公差		SCALE 1/1	DESIGN UNITS 2mm 3mm 4mm 5mm 6mm 8mm 10mm 12mm 15mm 20mm 25mm 30mm 40mm 50mm 60mm 80mm 100mm	PROJECTION 2D 3D	ANGLE 角度	MM ONLY	INCH	REV
10 UNDER 未満	±0.2	DRAWN BY & DATE S.AIHARA '00/10/ 6		TITLE: 0.5 B-To-B Conn PLUG Assy (Hgt=1.5) Embstp Pkg				
10 OVER 以上 30 UNDER 未満	±0.25	CHECKED BY & DATE M.SASAO '03/03/31		MATERIAL NO. SEE CHART SD-55560-007				
30 OVER 以上	±0.3	APPROVED BY & DATE M.SASAO '03/03/31		DRAWING NO. SD-55560-007				
ANGLE 角度	±3°	CAD FILENAME 55560007.S03		SHEET NO. 3 OF 5				

THIS DRAWING CONTAINS INFORMATION THAT IS PROPRIETARY TO MOLEX INCORPORATED AND SHOULD NOT BE USED WITHOUT WRITTEN PERMISSION.									
EN-02J(097) MXJ-54									

55560007.S03

F

E

D

C

B

A

DWG. NO. SD-55560-007

F

D

V

C

B

DO NOT SCALE DRAWING

8 7 6 5 4 3 2 1

F

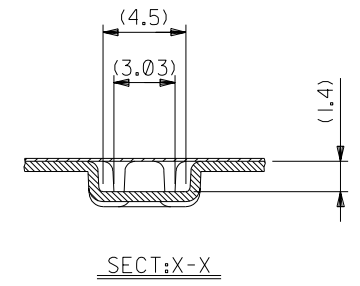
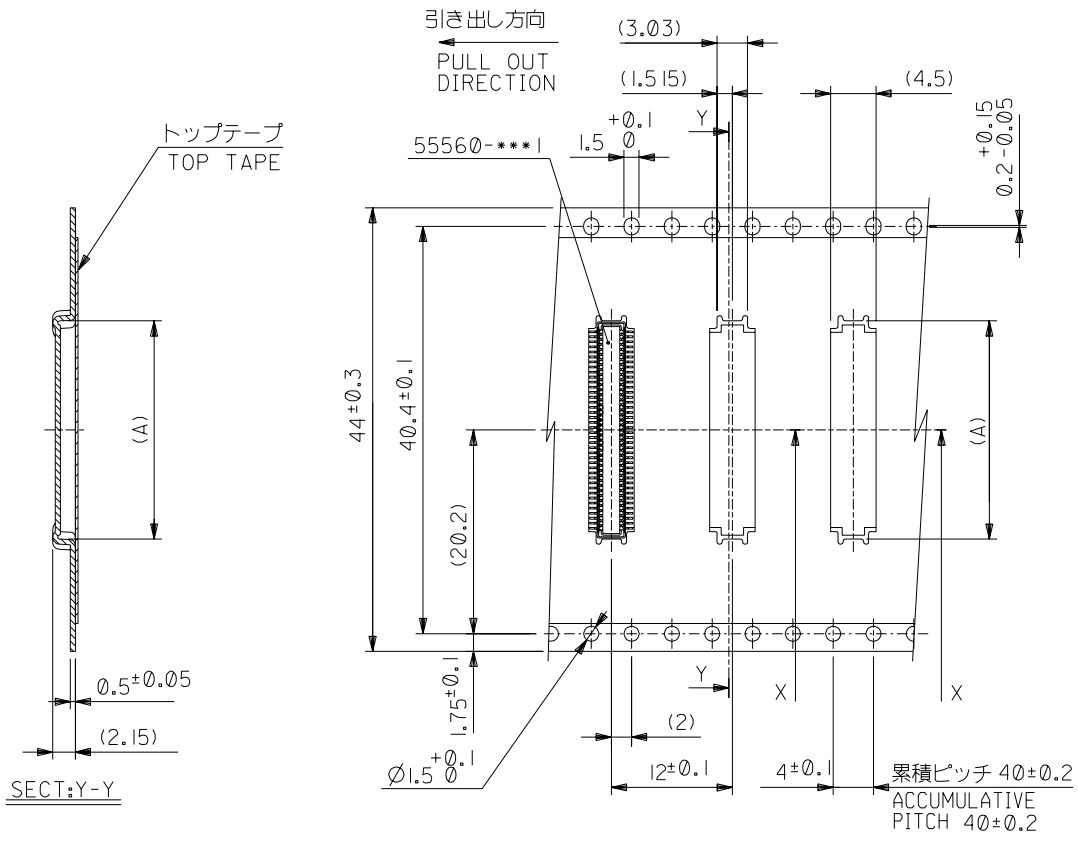
E

D

C

B

A



44mm幅キャリアテープ
44mm WIDTH CARRIER TAPE

44	45.5	21.65	55560-0807	80
キャリアテープ幅 CARRIER TAPE WIDTH		B	(A)	極数 CIRCUIT
MODEL NO.		55560-***7		DIMENSIONS: SHT REV
				UNLESS SPECIFIED 一般公差
SCALE	DESIGN UNITS	DIMENSIONS:		REVISION ON CAD ONLY
///	mm □ INCH	mm □ INCH	mm ONLY	

REV	DESCRIPTION	MATERIAL 材料	FINISH 仕上げ	WIRE RANGE 適用線径範囲	INS. RANGE 被覆外径
		SHEET 1 OF 5 参照 REFER TO SHEET 1 OF 5	//	//	//

GENERAL TOLERANCES: (UNLESS SPECIFIED) 一般公差	SCALE	DESIGN UNITS	PROJECTION
10 UNDER 未満	///	mm □ INCH	1st ANGLE 第一角
10 OVER 30 UNDER 以上 未満			3rd ANGLE 第三角
30 OVER 以上			
ANGLE 角度			

DRAWN BY & DATE T.YASUI '02/03/06	TITLE: 0.5 B-To-B Conn PLUG Assy (Hgt=1.5) Embstp Pkg
CHECKED BY & DATE M.SASAO '03/03/31	
APPROVED BY & DATE M.SASAO '03/03/31	MATERIAL NO. DRAWING NO. SHEET NO.
CAD FILENAME 55560007.S04	

MOLEX INCORPORATED		
SEE CHART	SD-55560-007	5 OF 5
THIS DRAWING CONTAINS INFORMATION THAT IS PROPRIETARY TO MOLEX INCORPORATED AND SHOULD NOT BE USED WITHOUT WRITTEN PERMISSION.		
		SIZE B

DWG. NO. SD-55560-007

8 7 6 5 4 3 2 1

F

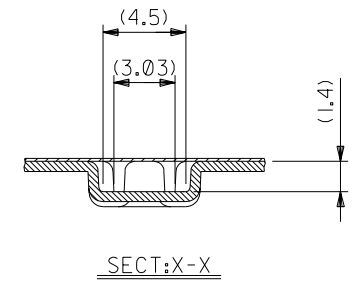
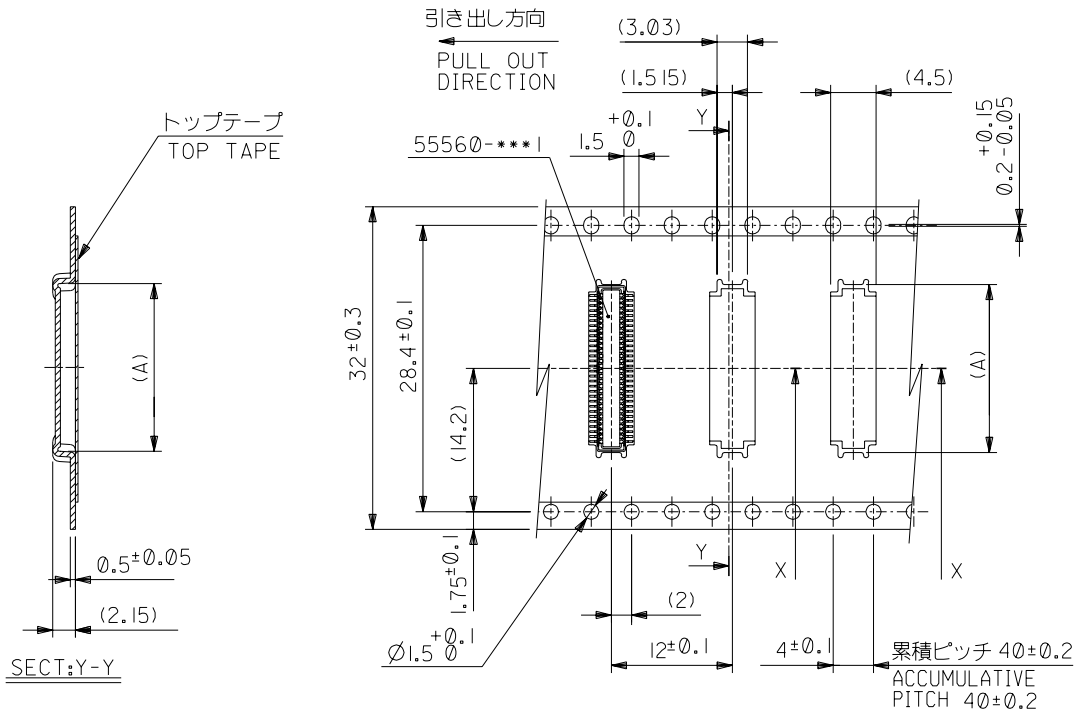
D

V

C

B

DO NOT SCALE DRAWING



32mm幅キャリアテープ
32mm WIDTH CARRIER TAPE

32	33.5	16.65	55560-0607	60
キャリアテープ幅 CARRIER TAPE WIDTH		B	(A)	極数 CIRCUIT
MODEL NO.		55560-***7		DIMENSIONS:
				SHT
				REV

64NO. DRAWN: CHK: APPR:	63NO. DRAWN: CHK: APPR:	REVISED J2003-2517 DRAWN: S.AIHARA '03/03/31 CHK: M.SASAO APPR: M.SASAO	REVISED J2003-1929 DRAWN: T.YASUI '03/11/23 CHK: T.IITO APPR: T.IITO	REVISED J2003-1468 DRAWN: T.YASUI '02/11/25 CHK: T.IITO APPR: T.YAMAGUCHI	MATERIAL 材料 SHEET 1 OF 5 参照 REFER TO SHEET 1 OF 5
		F	E	D	FINISH 仕上げ //
					WIRE RANGE 適用層線範囲 //
					INS. RANGE 被覆外径 //

GENERAL TOLERANCES: (UNLESS SPECIFIED) 一般公差		SCALE	DESIGN UNITS	<input checked="" type="checkbox"/> 2ND ANGLE PROJECTION	<input type="checkbox"/> mm <input type="checkbox"/> INCH <input checked="" type="checkbox"/> mm ONLY	SHEET NO. 4 OF 5
10 UNDER 未満	±0.2	///	mm			
10 OVER 以上	±0.25					
30 UNDER 未満	±0.25					
30 OVER 以上	±0.3					
ANGLE 角度	±3°					

DRAWN BY & DATE T.YASUI '02/11/25		TITLE: 0.5 B-To-B Conn PLUG Assy (Hgt=1.5) Embstp Pkg	
CHECKED BY & DATE M.SASAO '03/03/31		MATERIAL NO. SEE CHART	
APPROVED BY & DATE M.SASAO '03/03/31		DRAWING NO. SD-55560-007	
CAD FILENAME 55560007.S05		SHEET NO. 4 OF 5	
THIS DRAWING CONTAINS INFORMATION THAT IS PROPRIETARY TO MOLEX INCORPORATED AND SHOULD NOT BE USED WITHOUT WRITTEN PERMISSION.			
EN-02J(097) MXJ-54			

8 7 6 5 4 3 2 1

F

E

D

C

B

A

55560007.S05

Datasheet

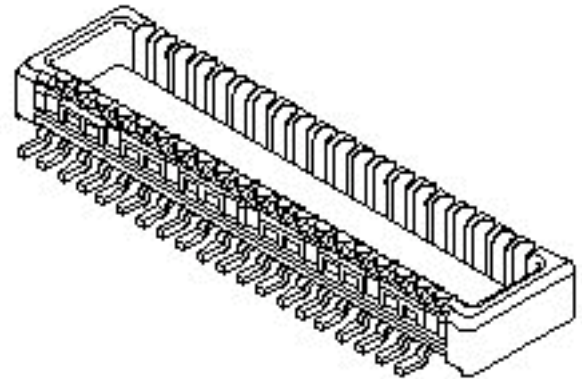
PCB Headers

0.50mm (.020") Pitch SlimStack™ Plug , SMT, Dual Row, Vertical, 1.50mm (.059") Stack Height, Lower Circuit Size Version 55560

[[Home](#) > [Products](#) > [PCB Headers](#) > Datasheet]

[Help](#)

Status	Active
Promotable	Yes
Access Level	Internet
Pitch / Center Spacing	0.50mm (.020")
Circuits / Positions	16, 20, 22, 30, 40, 50, 60, 80
Mates With	54722
Rows	2
Designed In	Millimeters
Temperature Range	-25°C to +85°C
Plating Contact	Gold (Au)
Plating Tail	Gold (Au)
Under Plating	Nickel (Ni)
Current-max [amps]	0.5A
Voltage-max [volts]	50V
Contact Resistance [ohms]	40 milliohms max.
Withstanding Voltage	500V AC/1 min.
Insulation Resistance [ohms]	100 Megohms min.
Shrouded	Yes
Breakaway	No
Pin Header	No
Stackable	No
Orientation	Vertical
PCB Mounting	Surface Mount
PCB Locator	No
Polarized to PCB	No
Staggered Tails	No



Features and Benefits

- Stacking height: 1.50mm (.059")
- Sizes 16, 20, 22, 30, 40, 50, 60 and 80 circuits
- Metal friction lock provides secure mating
- High temperature housing
- Durable blade on beam contact interface
- Anti-flux design

Packaging	Embossed Tape on Reel
Housing Material	LCP Liquid Crystal Polymer, Glass-filled
Color	Black
Flammability	UL 94V-0
Contact	Brass (CuZn)
Product Specification	PS-54722-005
Product Name	SlimStack™
Molex Series	55560

[E-mail this page to a friend](#)

[© Copyright 2002 Molex Incorporated]