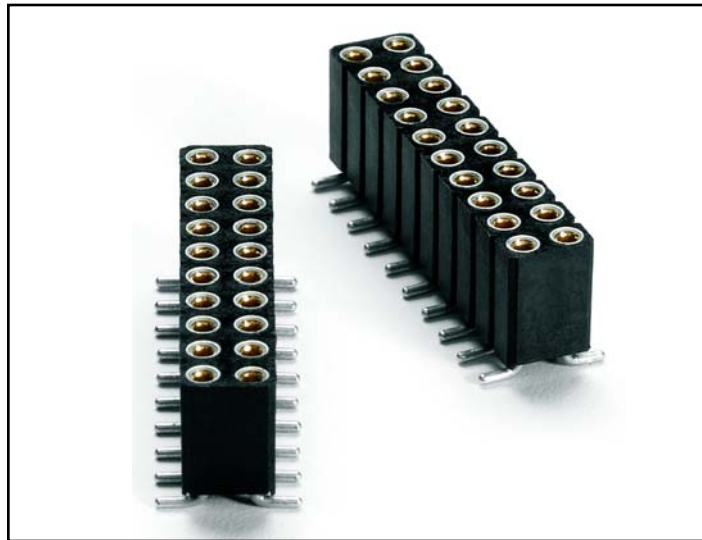


MAX solutions

DOUBLE ROW SMT STRIP SOCKET FOR .025"-.037" DIAMETER AND .025" SQUARE PINS



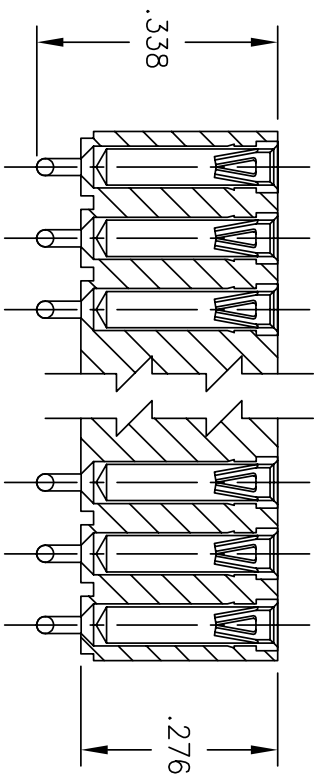
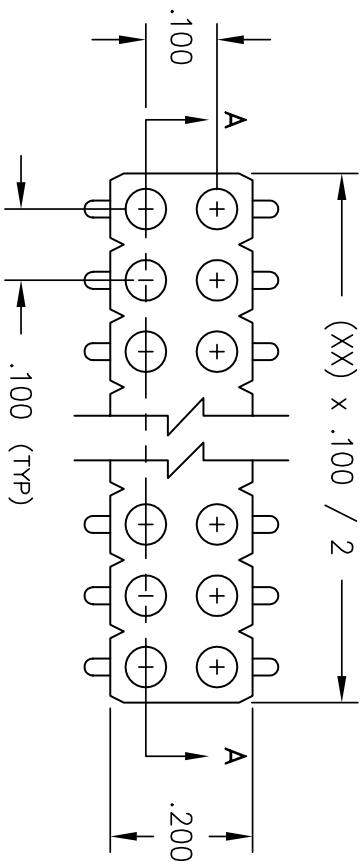
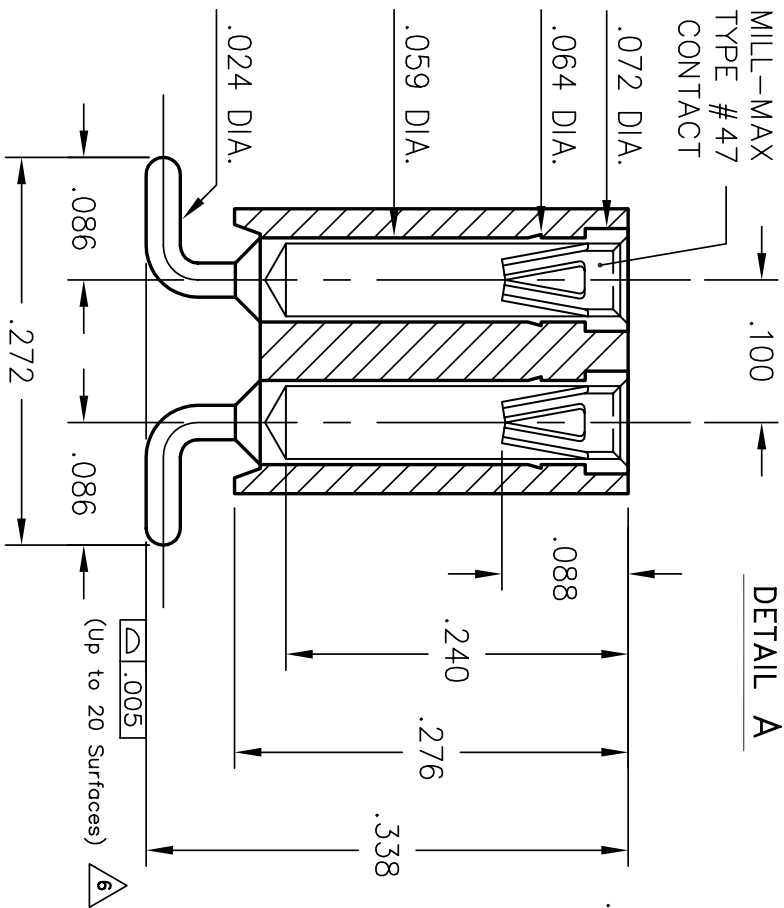
Mill-Max introduces a double row SMT strip socket which accepts .025"-.037" diameter and .025" square pins. This double-row connector is offered standard in 4 (2x2) up to 100 (2x50) position configurations on .100" spacing. The .276" tall insulator is manufactured with high temperature thermoplastic suitable for reflow soldering operations. Each precision-machined receptacle contains a Mill-Max #47 contact clip, rated at 4.5 amps per position. This connector is available in RoHS compliant and traditional platings.

For connector configurations up to 10 positions per row, the coplanarity of the leads is .005". For strips larger than 10 positions per row, the co-planarity will need to be addressed. Please contact our engineers for more information: techsupport@mill-max.com.

(5/07 - 573)

Mill-Max Mfg. Corp. • 190 Pine Hollow Road, Oyster Bay, NY 11771-0300
516-922-6000 • Fax: 516-922-9253 • www.mill-max.com





(XX) = Number of Positions (004-100)

ORDER AS: #803-43-XXX-30-001000

NOTES:

1. SHELL MATERIAL: BRASS ALLOY 360, 1/2 HARD.
2. SHELL FINISH: 200 μ" TIN MATTE OVER 100 μ" NICKEL.
3. CONTACT MATERIAL: BERYLLIUM COPPER ALLOY 172, HEAT TREATED.
4. CONTACT FINISH: 30 μ" GOLD OVER 50 μ" NICKEL.
5. INSULATOR MATERIAL: HIGH TEMP. POLYESTER, RATED UL 94 V-O.
6. FOR MORE THAN 20 POSITIONS, CONSULT MILL-MAX MANUFACTURING TECHSUPPORT.



P.O. BOX 300, 190 PINE HOLLOW RD, OYSTER BAY, N.Y. 11771-0300
 TEL: (616) 922-9000, FAX: (616) 922-9263, WEB: WWW.MILL-MAX.COM

MILL-MAX® MFG. CORP.

ALL DIMENSIONS IN INCHES AND AFTER PLATING	PIN TOLERANCES: LENGTHS ± .006 DIAMETERS ± .002 ANGLES ± 2°	DIMENSIONS IN INCHES INSULATOR TOLERANCES: LENGTHS ± .006 THICKNESS ± .003 HOLE TO HOLE ± .001 NOT ACCUMULATIVE	SCALE	DATE	DRAWN	CHECKED	ENG. APPROVAL	DATE
			N/S	04/23/07	D.M.	DARRIN	Marty Foudouge	
TITLE			DUAL ROW GULL WING SOCKET					
CUSTOMER APPROVAL			DATE		PROPOSAL NUMBER		REV	
					803SERIES		-	