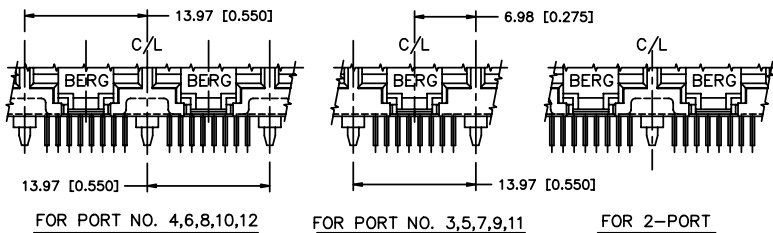
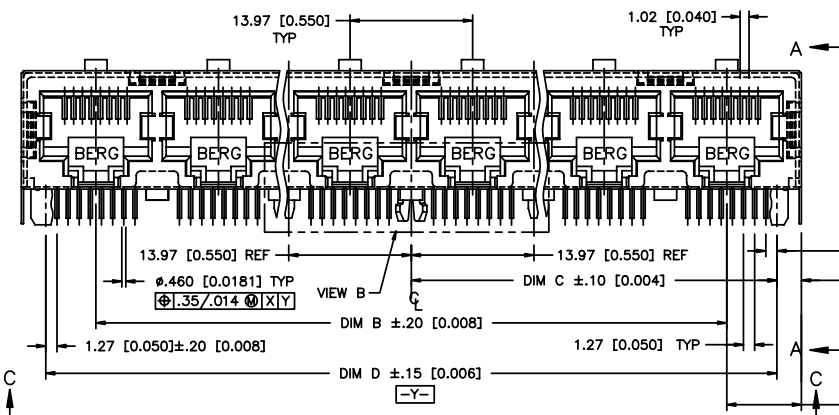
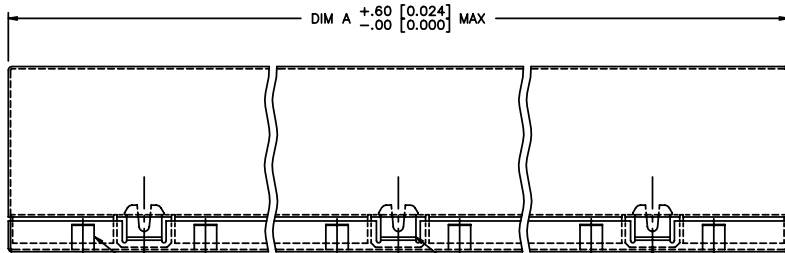


PRODUCT NO.
SEE TABLE

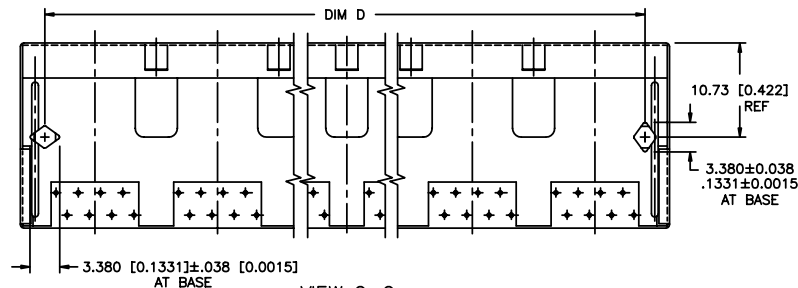
Tous droits strictement réservés. Reproduction ou communication a des tiers interdite sous quelque forme que ce soit sans autorisation écrite du propriétaire. Propriété de c FCI. Droits de reproduction FCI.



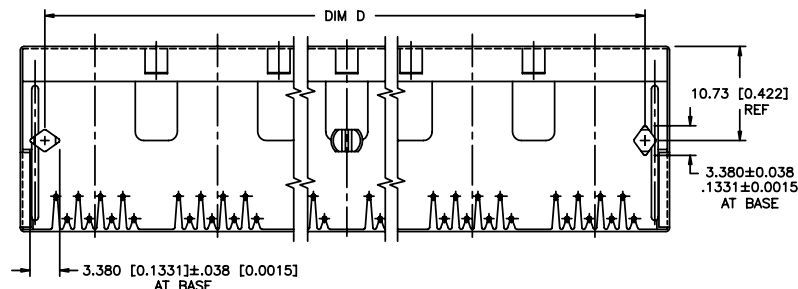
All rights strictly reserved. Reproduction or issue to third parties in any form whatever is not permitted without written authority from the proprietor. Property of FCI. Copyright FCI.



VIEW B
(CENTER PEG OMITTED FOR CLARITY,
-XXX, -XXXMLF PRODUCT ONLY)



-XXX,XXXLF & XXXNLF PRODUCT ONLY (WITHOUT CENTER PEG - SEE NOTE 8)

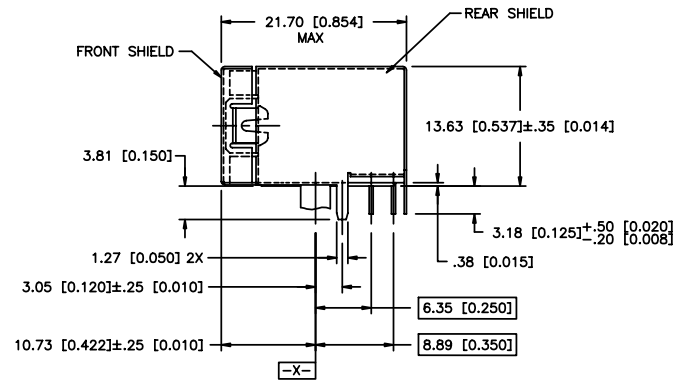
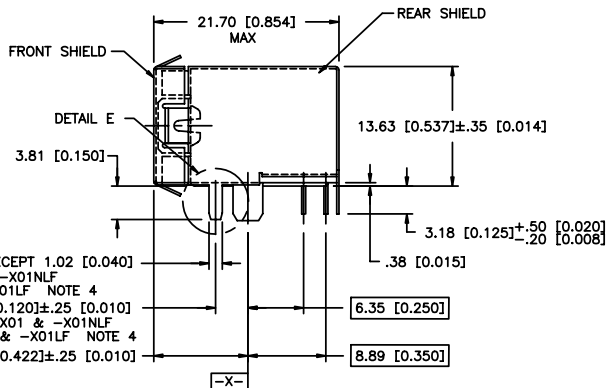


-XXXM,XXXMLF PRODUCT ONLY (WITH CENTER PEG - SEE NOTE 7)

- 1.27 [0.050]
- 2.79 [0.110] $\pm .20 [0.008]$ -X02M THRU -X12M, -X02 THRU -X12, -X02NLF THRU -X12NLF, -X02MLF THRU -X12MLF & -X02LF THRU -X12LF
- 2.16 [0.085] $\pm .20 [0.008]$ -X01M, -X01AM, -X01, -X01A, -X01NLF, -X01ANLF, -X01MLF, -X01AMLF, -X01LF & -X01ALF
- 8.51 [0.335] -X02M THRU -X12M, -X02 THRU -X12, -X02NLF THRU -X12NLF, -X02MLF THRU -X12MLF & -X02LF THRU -X12LF
- 7.87 [0.310] -X01M, -X01AM, -X01, -X01A, -X01NLF & -X01ANLF, -X01MLF, -X01AMLF, -X01LF & -X01ALF

mat'l. code				tolerances unless otherwise specified		CUSTOMER COPY		FCI www.fciconnect.com			
ltr	ecn no	dr	date	linear	.XX $\pm .01/.X \pm .3$	projection	title	R/A. 8 POS GAN JACK. ASSY			
M	N08-0100	SH	09/25/08		.XXX $\pm .005/.XX \pm .13$			MM/INCH	product family	MOD JACK	code
					.XXX $\pm .0020/.XXX \pm .051$					scale	size
G	T70374	OTA	7/8/97	angles	0° $\pm 2'$	1:1	A	94710	1 of 6		
H	T70567	RGD	7/16/98	dr	KCHOU					3/18/93	
J	V91503	BKB	3/20/02	enfr	TC	3/18/93					
K	V12594	LP	3/20/02	chr	JTSAD	3/18/93					
L	N04-0101	MHT	1/12/05	appd	JTSAD	3/18/93					
sheet index	revision	L	L	L	L	L	K				
	sheet	1	2	3	4	5	6				

PRODUCT NO.
SEE TABLE

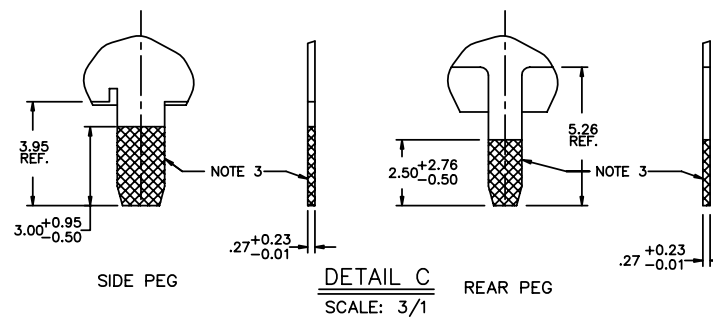


VIEW A-A

P/N -X01AM, -X01A & -X01ANLF,
-X01AMLF & -X01ALF ONLY
NOTE 5

NOTES:

1. RECOMMENDED P.C.B. THICKNESS 1.60 [0.063].
2. CONTACTS: PHOS BRONZE ALLOY UNS-C51000, ϕ 0.460 [0.0181] ROUND WIRE, PLATING SEE TABLE.
- ③ SHIELDING MAT'L: .25 [0.010] THICK BRASS ALLOY
SHIELDING PLATING: FOR 94710-XXX & 94710-XXXM: 2.54 μ M/100u" MIN BRIGHT TIN-LEAD PLATED OVER 0.76 μ M/30u" MIN NICKEL UNDERPLATING PER BUS-15-002/M.
LEAD FREE OPTION:
SHIELDING PLATING: FOR 94710-XXXLF & 94710-XXXMLF: 2.32 μ M/80u" MIN BRIGHT TIN PLATED OVER 0.76 μ M/30u" MIN NICKEL UNDERPLATING PER BUS-15-002/M.
FOR 94710-XXXNLF: 0.76 μ M/30u" MIN NICKEL PLATING, WITH SELECTIVE TIN ON SOLDER TAILS. SEE DETAIL E.
- ④ SPECIALLY FOR ONE-PORT P/N 94710-X01M, 94710-X01, & 94710-X01NLF, 94710-X01MLF, 94710-X01LF, & ONLY. SOLDER TAIL OF SHIELD IS 1.02 [0.040] WIDE, DISTANCE FROM PCB PEG TO THE SOLDER TAIL IS 3.05 [0.120].
- ⑤ SPECIALLY FOR ONE-PORT P/N 94710-X01AM, 94710-X01A, & 94710-X01ANLF 94710-X01AMLF & 94710-X01ALF, ONLY. SOLDER TAIL OF SHIELD IS 1.27 [0.050] WIDE, DISTANCE FROM PCB PEG TO THE SOLDER TAIL IS 3.05 [0.120].
6. ALL DIMENSIONS IN MILLIMETERS/INCHES.
- ⑦ CENTER PEG FOR -XXXM,-XXXMLF PRODUCT ONLY, 8-PORTS AND ABOVE.
- ⑧ NO CENTER PEG AVAILABLE ON -XXX,-XXXLF,-&-XXXNLF PRODUCT.
9. HOUSING MAT'L: HIGH TEMPERATURE NYLON, GLASS FILLED, 94-V-0 RATED, COLOR BLACK.
10. PART NUMBERS WITH LF IN THE END ARE LEAD FREE.
11. LEAD FREE STATEMENT: THIS PRODUCT MEETS EUROPEAN UNION DIRECTIVES AND OTHER COUNTRY REGULATION AS DESCRIBED IN GS-22-008.
12. LEAD FREE STATEMENT: THIS PRODUCT MEETS EUROPEAN UNION DIRECTIVES TEMPERATURE FOR 15 SECONDS IN A WAVE SOLDER APPLICATION WITH A 1.5 MM MINIMUM THICK CIRCUIT BOARD. SEE APPLICATION NOTES/PROCEDURES IF THEY ARE AVAILABLE.
- ⑬ EQUIVALENT THICKNESS Au AND GXT PLATING HAVE SAME FUNCTION AND THEY ARE ALTERNATIVE BY THE CUSTOEMR .



All rights strictly reserved. Reproduction or issue to third parties in any form whatever is not permitted without written authority from the proprietor. Property of FCI. Copyright FCI.


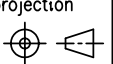
Tous droits strictement reserves. Reproduction ou communication a des tiers interdite sous quelque forme que ce soit sans autorisation ecrite du propriétaire. Propriete de c FCI. Droits de reproduction FCI.

mat'l. code				tolerances unless otherwise specified		CUSTOMER COPY	 www.fciconnect.com
ltr	ecn no	dr	date	linear	.XX ±.01/.X±.3		
M					.XXX ±.005/.XX±.13	.XXX ±.0020/.XXX±.051	
				angles	0° ±2'		
				dr	KCHOU 3/18/93		MM/INCH
				enfr	TC 3/18/93	scale	
				chr	JTSAD 3/18/93		1:1
				appd	JTSAD 3/18/93	94710	
sheet index	revision sheet						

PRODUCT No.	No. OF PORTS	DIM A +.60 [0.024] -0	DIM B	DIM C±.10 [0.004]	DIM D±.15 [0.006]	GROUND LEG NO. ON THE BACK (VIEW B)	NOTE
94710-X01M	1	15.74 [0.620]	-----	5.72 [0.225]	11.43 [0.450]	NONE	NOTE 4
94710-X01MLF	1	15.74 [0.620]	-----	5.72 [0.225]	11.43 [0.450]	NONE	NOTE 5
94710-X02M	2	30.98 [1.220]	13.97 [0.550]	12.70 [0.500]	25.40 [1.000]	1	---
94710-X02MLF	2	30.98 [1.220]	13.97 [0.550]	12.70 [0.500]	25.40 [1.000]	1	---
94710-X03M	3	44.95 [1.770]	27.94 [1.100]	19.69 [0.775]	39.37 [1.550]	2	---
94710-X03MLF	3	44.95 [1.770]	27.94 [1.100]	19.69 [0.775]	39.37 [1.550]	2	---
94710-X04M	4	58.92 [2.320]	41.91 [1.650]	26.67 [1.050]	53.34 [2.100]	3	---
94710-X04MLF	4	58.92 [2.320]	41.91 [1.650]	26.67 [1.050]	53.34 [2.100]	3	---
94710-X05M	5	72.89 [2.870]	55.88 [2.200]	33.66 [1.325]	67.31 [2.650]	2	---
94710-X05MLF	5	72.89 [2.870]	55.88 [2.200]	33.66 [1.325]	67.31 [2.650]	2	---
94710-X06M	6	86.86 [3.420]	69.85 [2.750]	40.64 [1.600]	81.28 [3.200]	3	---
94710-X06MLF	6	86.86 [3.420]	69.85 [2.750]	40.64 [1.600]	81.28 [3.200]	3	---
94710-X07M	7	100.83 [3.970]	83.82 [3.300]	47.63 [1.875]	95.25 [3.750]	2	---
94710-X07MLF	7	100.83 [3.970]	83.82 [3.300]	47.63 [1.875]	95.25 [3.750]	2	---
94710-X08M	8	114.80 [4.520]	97.79 [3.850]	54.61 [2.150]	109.22 [4.300]	3	---
94710-X08MLF	8	114.80 [4.520]	97.79 [3.850]	54.61 [2.150]	109.22 [4.300]	3	---
94710-X09M	9	128.77 [5.070]	111.76 [4.400]	61.60 [2.425]	123.19 [4.850]	2	---
94710-X09MLF	9	128.77 [5.070]	111.76 [4.400]	61.60 [2.425]	123.19 [4.850]	2	---
94710-X10M	10	142.74 [5.620]	125.73 [4.950]	68.58 [2.700]	137.16 [5.400]	3	---
94710-X10MLF	10	142.74 [5.620]	125.73 [4.950]	68.58 [2.700]	137.16 [5.400]	3	---
94710-X11M	11	156.71 [6.170]	139.70 [5.500]	75.57 [2.975]	151.13 [5.950]	2	---
94710-X11MLF	11	156.71 [6.170]	139.70 [5.500]	75.57 [2.975]	151.13 [5.950]	2	---
94710-X12M	12	170.68 [6.720]	153.67 [6.050]	82.55 [3.250]	165.10 [6.500]	3	---
94710-X12MLF	12	170.68 [6.720]	153.67 [6.050]	82.55 [3.250]	165.10 [6.500]	3	---

PRODUCT No.	No. OF PORTS	DIM A +.60 [0.024] -0	DIM B	DIM C±.10 [0.004]	DIM D±.15 [0.006]	GROUND LEG NO. ON THE BACK (VIEW B)	NOTE
94710-X01	1	15.74 [0.620]	-----	5.72 [0.225]	11.43 [0.450]	NONE	NOTE 4
94710-X01LF	1	15.74 [0.620]	-----	5.72 [0.225]	11.43 [0.450]	NONE	NOTE 5
94710-X02	2	30.98 [1.220]	13.97 [0.550]	12.70 [0.500]	25.40 [1.000]	1	---
94710-X02LF	2	30.98 [1.220]	13.97 [0.550]	12.70 [0.500]	25.40 [1.000]	1	---
94710-X03	3	44.95 [1.770]	27.94 [1.100]	19.69 [0.775]	39.37 [1.550]	2	---
94710-X03LF	3	44.95 [1.770]	27.94 [1.100]	19.69 [0.775]	39.37 [1.550]	2	---
94710-X04	4	58.92 [2.320]	41.91 [1.650]	26.67 [1.050]	53.34 [2.100]	3	---
94710-X04LF	4	58.92 [2.320]	41.91 [1.650]	26.67 [1.050]	53.34 [2.100]	3	---
94710-X05	5	72.89 [2.870]	55.88 [2.200]	33.66 [1.325]	67.31 [2.650]	2	---
94710-X05LF	5	72.89 [2.870]	55.88 [2.200]	33.66 [1.325]	67.31 [2.650]	2	---
94710-X06	6	86.86 [3.420]	69.85 [2.750]	40.64 [1.600]	81.28 [3.200]	3	---
94710-X06LF	6	86.86 [3.420]	69.85 [2.750]	40.64 [1.600]	81.28 [3.200]	3	---
94710-X07	7	100.83 [3.970]	83.82 [3.300]	47.63 [1.875]	95.25 [3.750]	2	---
94710-X07LF	7	100.83 [3.970]	83.82 [3.300]	47.63 [1.875]	95.25 [3.750]	2	---
94710-X08	8	114.80 [4.520]	97.79 [3.850]	54.61 [2.150]	109.22 [4.300]	3	---
94710-X08LF	8	114.80 [4.520]	97.79 [3.850]	54.61 [2.150]	109.22 [4.300]	3	---
94710-X09	9	128.77 [5.070]	111.76 [4.400]	61.60 [2.425]	123.19 [4.850]	2	---
94710-X09LF	9	128.77 [5.070]	111.76 [4.400]	61.60 [2.425]	123.19 [4.850]	2	---
94710-X10	10	142.74 [5.620]	125.73 [4.950]	68.58 [2.700]	137.16 [5.400]	3	---
94710-X10LF	10	142.74 [5.620]	125.73 [4.950]	68.58 [2.700]	137.16 [5.400]	3	---
94710-X11	11	156.71 [6.170]	139.70 [5.500]	75.57 [2.975]	151.13 [5.950]	2	---
94710-X11LF	11	156.71 [6.170]	139.70 [5.500]	75.57 [2.975]	151.13 [5.950]	2	---
94710-X12	12	170.68 [6.720]	153.67 [6.050]	82.55 [3.250]	165.10 [6.500]	3	---
94710-X12LF	12	170.68 [6.720]	153.67 [6.050]	82.55 [3.250]	165.10 [6.500]	3	---

PLATING CODE X	PLATING
0	.76uM/30u" G.X.T.
3	.38uM/15u" GOLD
5	.76uM/30u" GOLD

mat'l. code				tolerances unless otherwise specified		CUSTOMER COPY	 www.fciconnect.com
ltr	ecn no	dr	date	linear	.XX ±.01/.X±.3		
M					.XXX ±.005/.XX±.13	projection	title R/A. 8 POS GAN JACK. ASSY SHIELDED, DIAMOND PEG
				angles	.XXX ±.0020/.XXX±.051		
				dr	KCHOU 3/18/93	 MM/INCH	product family MOD JACK size dwg no
				enfr	TC 3/18/93		
				chr	JTSAD 3/18/93	scale	A 94710
				appd	JTSAD 3/18/93		
sheet index	revision sheet						code - sheet 3 of

Tous droits strictement reserves. Reproduction ou communication a des tiers interdite sous quelque forme que ce soit sans autorisation ecrite du proprietaire. Propriete de c FCI. Droits de reproduction FCI.

All rights strictly reserved. Reproduction or issue to third parties in any form whatever is not permitted without written authority from the proprietor. Property of FCI. Copyright FCI.



All rights strictly reserved. Reproduction or issue to third parties in any form whatever is not permitted without written authority from the proprietor. Property of FCI. Copyright FCI.

Tous droits strictement reserves. Reproduction ou communication a des tiers interdite sous quelque forme que ce soit sans autorisation ecrite du proprietaire. Propriete de c FCI. Droits de reproduction FCI.

1 | 2

3

4

PRODUCT No.	No. OF PORTS	DIM A +.60 [0.024] -0	DIM B	DIM C±.10 [0.004]	DIM D±.15 [0.006]	GROUND LEG NO. ON THE BACK (VIEW B)	NOTE
94710-X01NLF	1	15.74 [0.620]	-----	5.72 [0.225]	11.43 [0.450]	NONE	NOTE 4
94710-X01ANLF	1	15.74 [0.620]	-----	5.72 [0.225]	11.43 [0.450]	NONE	NOTE 5
94710-X02NLF	2	30.98 [1.220]	13.97 [0.550]	12.70 [0.500]	25.40 [1.000]	1	----
94710-X03NLF	3	44.95 [1.770]	27.94 [1.100]	19.69 [0.775]	39.37 [1.550]	2	----
94710-X04NLF	4	58.92 [2.320]	41.91 [1.650]	26.67 [1.050]	53.34 [2.100]	3	----
94710-X05NLF	5	72.89 [2.870]	55.88 [2.200]	33.66 [1.325]	67.31 [2.650]	2	----
94710-X06NLF	6	86.86 [3.420]	69.85 [2.750]	40.64 [1.600]	81.28 [3.200]	3	----
94710-X07NLF	7	100.83 [3.970]	83.82 [3.300]	47.63 [1.875]	95.25 [3.750]	2	----
94710-X08NLF	8	114.80 [4.520]	97.79 [3.850]	54.61 [2.150]	109.22 [4.300]	3	----
94710-X09NLF	9	128.77 [5.070]	111.76 [4.400]	61.60 [2.425]	123.19 [4.850]	2	----
94710-X10NLF	10	142.74 [5.620]	125.73 [4.950]	68.58 [2.700]	137.16 [5.400]	3	----
94710-X11NLF	11	156.71 [6.170]	139.70 [5.500]	75.57 [2.975]	151.13 [5.950]	2	----
94710-X12NLF	12	170.68 [6.720]	153.67 [6.050]	82.55 [3.250]	165.10 [6.500]	3	----

PLATING CODE X	PLATING
0	.76uM/30u" G.X.T.
1	.38uM/15u" GOLD ⑬
3	.76uM/30u" GOLD ⑬
5	1.27uM/50u" GOLD

A

A

B

B

1 | 2

mat'l. code				tolerances unless otherwise specified		CUSTOMER COPY		FCI www.fciconnect.com			
ltr	ecn no	dr	date	linear	.XX ±.01/.X±.3	projection		title			
M					.XXX ±.005/.XX±.13			R/A. 8 POS GAN JACK. ASSY		code	
					.XXX ±.0020/.XXX±.051			SHIELDED, DIAMOND PEG		-	
				angles	0° ±2'	MM/INCH		product family MOD JACK			
				dr	KCHOU 3/18/93			size		sheet	
				enr	TC 3/18/93			dwg no		4 of	
				chr	JTSAD 3/18/93			A			
				appd	JTSAD 3/18/93			94710			
sheet index	revision sheet					scale	1:1				

ACAD

PDM: Rev:M

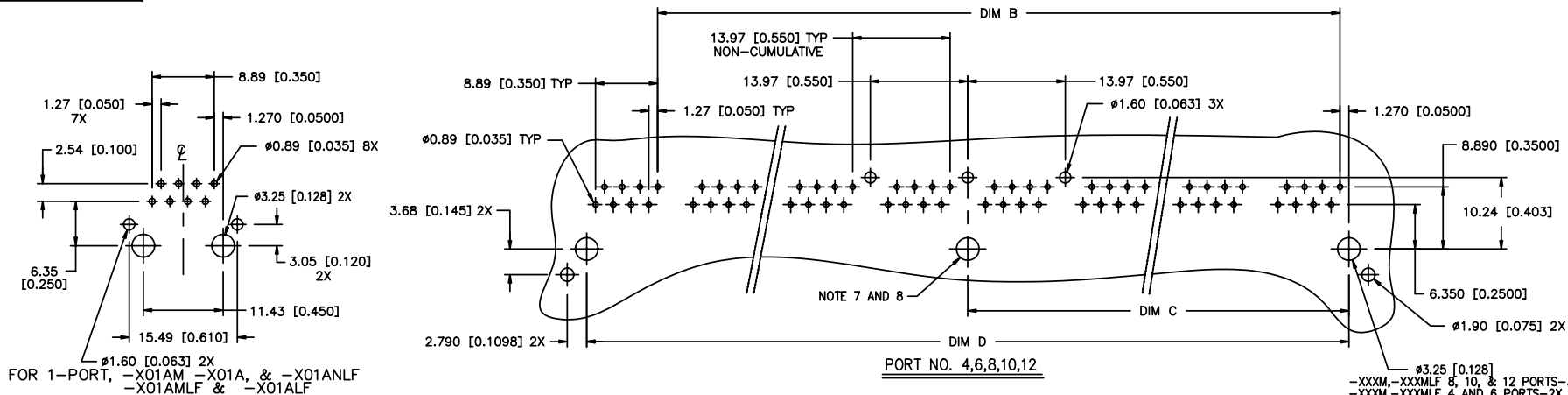
STATUS: Released cage code 226 Printed: Nov 08, 2008

PRODUCT NO.
SEE TABLE

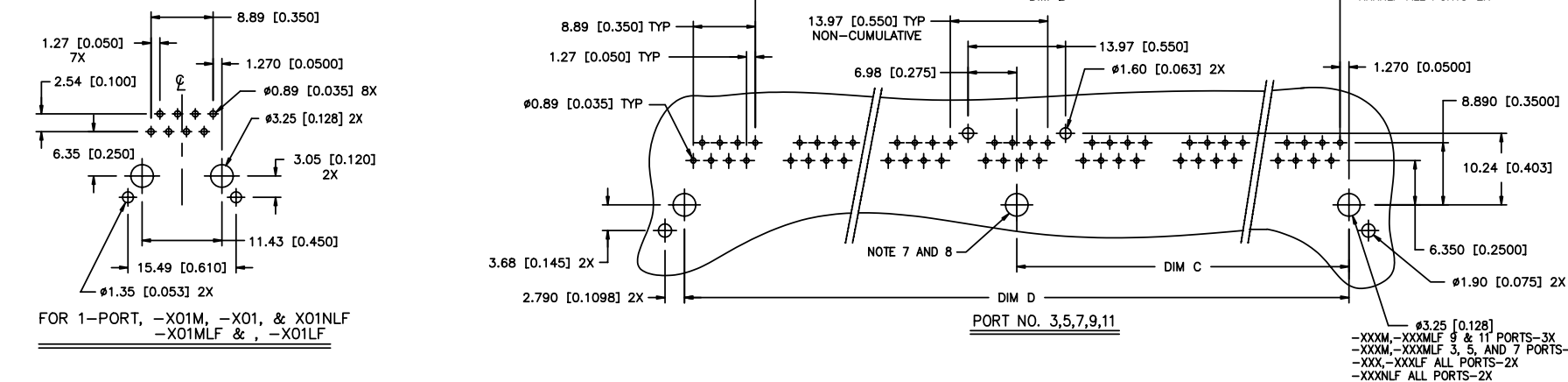
Tous droits strictement reserves. Reproduction ou communication a des tiers interdite sous quelque forme que ce soit sans autorisation ecrite du proprietaire. Propriete de c FCI. Droits de reproduction FCI.



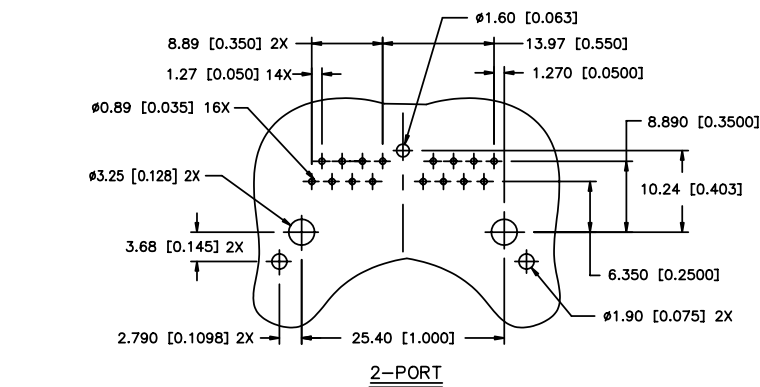
All rights strictly reserved. Reproduction or issue to third parties in any form whatever is not permitted without written authority from the proprietor. Property of FCI. Copyright FCI.



- XXXM, -XXXMLF 8, 10, & 12 PORTS-3X
- XXXM, -XXXMLF 4 AND 6 PORTS-2X
- XXX, -XXXLF ALL PORTS-2X
- XXXNLF ALL PORTS-2X



- XXXM, -XXXMLF 9 & 11 PORTS-3X
- XXXM, -XXXMLF 3, 5, AND 7 PORTS-2X
- XXX, -XXXLF ALL PORTS-2X
- XXXNLF ALL PORTS-2X



RECOMMENDED P.C.B LAYOUT

mat'l. code				tolerances unless otherwise specified		CUSTOMER COPY		FCI www.fciconnect.com	
ltr	ecn no	dr	date	linear	.XX ±.01/.XX±.3	projection		title	
M					.XXX ±.005/.XX±.13			R/A. 8 POS GAN JACK. ASSY SHIELDED, DIAMOND PEG	
				angles	.XXX ±.0020/.XXX±.051	MM/INCH		product family MOD JACK	
				dr	0° ±2°			size	
				engr		scale	1:1	A	
				chr	KCHOU 3/18/93			94710	
				appd	TC 3/18/93			5 of	
					JTSAD 3/18/93				
sheet index	revision sheet				JTSAD 3/18/93				

1 | 2

3

4

LATCHING AND GROUNDING TAB LOCATING CONFIGURATION

INDICATES LATCHING TAB (SEE SHEET 1)
 INDICATES GROUNDING TAB ON THE FRONT OF PRODUCT (SEE SHEET 1)
 INDICATES GROUNDING LEG ON THE BACK OF PRODUCT (VIEW B)

PORT NUMBERS

12: 41.91 [1.650] (total width), 69.85 [2.750] (between ports), 12.7 [0.500] (pitch), 10.12 [0.398] (end offset)
 11: 34.93 [1.375] (total width), 62.87 [2.475] (between ports), 12.7 [0.500] (pitch), 10.12 [0.398] (end offset)
 10: 13.97 [0.550] (pitch), 27.94 [1.100] (between ports), 55.88 [2.200] (total width), 10.12 [0.398] (end offset)
 9: 20.96 [0.825] (pitch), 48.90 [1.925] (between ports), 48.90 [1.925] (total width)
 8: 13.97 [0.550] (pitch), 13.97 [0.550] (between ports), 41.91 [1.650] (total width)
 7: 34.93 [1.375] (pitch), 34.93 [1.375] (between ports)

PORT NUMBERS

6: 27.94 [1.100] (pitch), 27.94 [1.100] (between ports), 53.88 [2.120] (total width)
 5: 20.96 [0.825] (pitch), 20.96 [0.825] (between ports)
 4: 13.97 [0.550] (pitch), 13.97 [0.550] (between ports)
 3: 6.99 [0.275] (pitch), 6.99 [0.275] (between ports)
 2: 6.99 [0.275] (pitch)
 1: 6.99 [0.275] (pitch)

Tous droits strictement reserves. Reproduction ou communication a des tiers interdite sous quelque forme que ce soit sans autorisation écrite du propriétaire. Propriete de c FCI. Droits de reproduction FCI.

All rights strictly reserved. Reproduction or issue to third parties in any form whatever is not permitted without written authority from the proprietor. Property of FCI. Copyright FCI.

mat'l. code		tolerances unless otherwise specified		CUSTOMER COPY		www.fciconnect.com	
ltr	ecn no	dr	date	linear	.XX ±.01/.X±.3	projection	
M					.XXX ±.005/.XX±.13		
				angles	.XXX ±.0020/.XXX±.051		R/A. 8 POS GAN JACK. ASSY SHIELDED, DIAMOND PEG
				dr	0° ±2'		product family MOD JACK
				enr	KCHOU 3/18/93		size
				chr	TC 3/18/93	scale	—
				appd	JTSAD 3/18/93	1:1	sheet
sheet index	revision sheet						6 of

1 | 2

7

4

ACAD

PDM: Rev:M

STATUS: Released cage code 26 Printed: Nov 08, 2008