

Protistor® Square-body Fuses PSC aR sizes 3x - 450V to 700 VAC American Terminals - 30 - 33 Blades



Rated voltage as per American standard.

| Size | Designation | | | | Reference Number | Weight (g) | Pack. | Catalog Number | | |
|-------|-------------|-----------|-----------|------|------------------|---------------|-------|----------------|-----|---|
| | | | | | K | | | | | |
| 30 | A 070 | URD 30 KI | 0050 | | E301925 | 290 | 3 | A070UD30KI050 | | |
| | A 070 | URD 30 KI | 0063 | | B300128 | | | A070UD30KI63 | | |
| | A 070 | URD 30 KI | 0080 | | C300129 | | | A070UD30KI080 | | |
| | A 070 | URD 30 KI | 0100 | | D300130 | | | A070UD30KI100 | | |
| | A 070 | URD 30 KI | 0125 | | E300131 | | | A070UD30KI125 | | |
| | A 070 | URD 30 KI | 0160 | | F300132 | | | A070UD30KI160 | | |
| | A 070 | URD 30 KI | 0200 | | G300133 | | | A070UD30KI200 | | |
| | A 070 | URD 30 KI | 0250 | | H300134 | | | A070UD30KI250 | | |
| | A 070 | URD 30 KI | 0315 | | J300135 | | | A070UD30KI315 | | |
| | A 070 | URD 30 KI | 0350 | | K300136 | | | A070UD30KI350 | | |
| | A 070 | URD 30 KI | 0400 | | L300137 | | | A070UD30KI400 | | |
| | A 070 | URD 30 KI | 0450 | | T301064 | | | A070UD30KI450 | | |
| | A 070 | URD 30 KI | 0500 | | V301065 | | | A070UD30KI500 | | |
| | A 070 | URD 30 KI | 0550 | | W301066 | | | A070UD30KI550 | | |
| | A 065 | URD 30 KI | 0630 | | - | | | | | |
| | 31 | A 070 | URD 31 KI | 0160 | | | | F300385 | 430 | 3 |
| A 070 | | URD 31 KI | 0200 | | S300028 | A070UD31KI200 | | | | |
| A 070 | | URD 31 KI | 0250 | | T300029 | A070UD31KI250 | | | | |
| A 070 | | URD 31 KI | 0315 | | V300030 | A070UD31KI315 | | | | |
| A 070 | | URD 31 KI | 0350 | | R300050 | A070UD31KI350 | | | | |
| A 070 | | URD 31 KI | 0400 | | W300031 | A070UD31KI400 | | | | |
| A 070 | | URD 31 KI | 0450 | | X300032 | A070UD31KI450 | | | | |
| A 070 | | URD 31 KI | 0500 | | Y300033 | A070UD31KI500 | | | | |
| A 070 | | URD 31 KI | 0550 | | Z300034 | A070UD31KI550 | | | | |
| A 070 | | URD 31 KI | 0630 | | A300035 | A070UD31KI630 | | | | |
| A 070 | | URD 31 KI | 0700 | | B300036 | A070UD31KI700 | | | | |
| A 070 | | URD 31 KI | 0800 | | A301070 | A070UD31KI800 | | | | |
| 32 | A 070 | URD 32 KI | 0400 | | Z300195 | 590 | 3 | A070UD32KI400 | | |
| | A 070 | URD 32 KI | 0450 | | A300196 | | | A070UD32KI450 | | |
| | A 070 | URD 32 KI | 0500 | | B300197 | | | A070UD32KI500 | | |
| | A 070 | URD 32 KI | 0550 | | C300198 | | | A070UD32KI550 | | |
| | A 070 | URD 32 KI | 0630 | | D300199 | | | A070UD32KI630 | | |
| | A 070 | URD 32 KI | 0700 | | E300200 | | | A070UD32KI700 | | |
| | A 070 | URD 32 KI | 0800 | | F300201 | | | A070UD32KI800 | | |
| | A 070 | URD 32 KI | 0900 | | G300202 | | | A070UD32KI900 | | |
| | A 070 | URD 32 KI | 1000 | | H300203 | | | A070UD32KI1000 | | |
| | A 065 | URD 32 KI | 1100 | | - | | | | | |
| | A 060 | URD 32 KI | 1250 | | - | | | 660 | | |
| | A 055 | URD 32 KI | 1400 | | - | | | | | |
| | A 055 | URD 32 KI | 1600 | | - | | | | | |
| | A 050 | URD 32 KI | 1800 | | - | | | | | |
| 33 | A 070 | URD 33 KI | 0500 | | W300238 | 860 | 3 | A070UD33KI500 | | |
| | A 070 | URD 33 KI | 0550 | | X300239 | | | A070UD33KI550 | | |
| | A 070 | URD 33 KI | 0630 | | Y300240 | | | A070UD33KI630 | | |
| | A 070 | URD 33 KI | 0700 | | Z300241 | | | A070UD33KI700 | | |
| | A 070 | URD 33 KI | 0800 | | A300242 | | | A070UD33KI800 | | |
| | A 070 | URD 33 KI | 0900 | | B300243 | | | A070UD33KI900 | | |
| | A 070 | URD 33 KI | 1000 | | C300244 | | | A070UD33KI1000 | | |
| | A 070 | URD 33 KI | 1100 | | D300245 | | | A070UD33KI1100 | | |
| | A 070 | URD 33 KI | 1250 | | E300246 | | | A070UD33KI1250 | | |
| | A 070 | URD 33 KI | 1400 | | F300247 | | | A070UD33KI1400 | | |
| | A 065 | URD 33 KI | 1600 | | E302063 | | | A065UD33KI1600 | | |
| | A 065 | URD 33 KI | 1800 | | - | | | | | |
| | A 060 | URD 33 KI | 2000 | | - | | | | | |
| | A 055 | URD 33 KI | 2250 | | - | | | | | |
| | A 050 | URD 33 KI | 2500 | | - | | | | | |
| | | | | | | | | 1070 | | |



Protistor® Square-body Fuses PSC aR sizes 3x - 450V to 700 VAC American Terminals - 30 - 33 Blades



Rated voltage as per American standard.

| Size | Designation | | | | Reference Number | Weight (g) | Pack. | Catalog Number |
|-------|-------------|-----------|------|---------|------------------|------------|-------|----------------|
| | | | | | L | | | |
| 30 | A 070 | URD 30 LI | 0050 | | A301921 | 290 | 3 | A070UD30LI050 |
| | A 070 | URD 30 LI | 0063 | | M300138 | | | A070UD30LI63 |
| | A 070 | URD 30 LI | 0080 | | N300139 | | | A070UD30LI080 |
| | A 070 | URD 30 LI | 0100 | | P300140 | | | A070UD30LI100 |
| | A 070 | URD 30 LI | 0125 | | Q300141 | | | A070UD30LI125 |
| | A 070 | URD 30 LI | 0160 | | R300142 | | | A070UD30LI160 |
| | A 070 | URD 30 LI | 0200 | | S300143 | | | A070UD30LI200 |
| | A 070 | URD 30 LI | 0250 | | T300144 | | | A070UD30LI250 |
| | A 070 | URD 30 LI | 0315 | | V300145 | | | A070UD30LI315 |
| | A 070 | URD 30 LI | 0350 | | W300146 | | | A070UD30LI350 |
| | A 070 | URD 30 LI | 0400 | | X300147 | | | A070UD30LI400 |
| | A 070 | URD 30 LI | 0450 | | K300527 | | | A070UD30LI450 |
| | A 070 | URD 30 LI | 0500 | | L300528 | | | A070UD30LI500 |
| | A 070 | URD 30 LI | 0550 | | M300529 | | | A070UD30LI550 |
| | A 060 | URD 30 LI | 0630 | | P302003 | | | A060UD30LI630 |
| 31 | A 070 | URD 31 LI | 0160 | | D301924 | 430 | 3 | A070UD31LI160 |
| | A 070 | URD 31 LI | 0200 | | V300697 | | | A070UD31LI200 |
| | A 070 | URD 31 LI | 0250 | | W300698 | | | A070UD31LI250 |
| | A 070 | URD 31 LI | 0315 | | X300699 | | | A070UD31LI315 |
| | A 070 | URD 31 LI | 0350 | | Y300700 | | | A070UD31LI350 |
| | A 070 | URD 31 LI | 0400 | | Z300701 | | | A070UD31LI400 |
| | A 070 | URD 31 LI | 0450 | | A300702 | | | A070UD31LI450 |
| | A 070 | URD 31 LI | 0500 | | B300703 | | | A070UD31LI500 |
| | A 070 | URD 31 LI | 0550 | | C300704 | | | A070UD31LI550 |
| | A 070 | URD 31 LI | 0630 | | D300705 | | | A070UD31LI630 |
| | A 070 | URD 31 LI | 0700 | | E300706 | | | A070UD31LI700 |
| A 070 | URD 31 LI | 0800 | | F300707 | A070UD31LI800 | | | |
| 32 | A 070 | URD 32 LI | 0400 | | J300204 | 590 | 3 | A070UD32LI400 |
| | A 070 | URD 32 LI | 0450 | | K300205 | | | A070UD32LI450 |
| | A 070 | URD 32 LI | 0500 | | L300206 | | | A070UD32LI500 |
| | A 070 | URD 32 LI | 0550 | | M300207 | | | A070UD32LI550 |
| | A 070 | URD 32 LI | 0630 | | N300208 | | | A070UD32LI630 |
| | A 070 | URD 32 LI | 0700 | | P300209 | | | A070UD32LI700 |
| | A 070 | URD 32 LI | 0800 | | Q300210 | | | A070UD32LI800 |
| | A 070 | URD 32 LI | 0900 | | R300211 | | | A070UD32LI900 |
| | A 070 | URD 32 LI | 1000 | | S300212 | | | A070UD32LI1000 |
| | A 065 | URD 32 LI | 1100 | | B301071 | | | A065UD32LI1100 |
| | A 060 | URD 32 LI | 1250 | | C301072 | | | A060UD32LI1250 |
| | A 055 | URD 32 LI | 1400 | | D301073 | | | A055UD32LI1400 |
| | A 055 | URD 32 LI | 1600 | | E301074 | | | A055UD32LI1600 |
| | A 050 | URD 32 LI | 1800 | | F301075 | | | A050UD32LI1800 |
| 33 | A 070 | URD 33 LI | 0500 | | K300228 | 860 | 3 | A070UD33LI500 |
| | A 070 | URD 33 LI | 0550 | | L300229 | | | A070UD33LI550 |
| | A 070 | URD 33 LI | 0630 | | M300230 | | | A070UD33LI630 |
| | A 070 | URD 33 LI | 0700 | | N300231 | | | A070UD33LI700 |
| | A 070 | URD 33 LI | 0800 | | P300232 | | | A070UD33LI800 |
| | A 070 | URD 33 LI | 0900 | | Q300233 | | | A070UD33LI900 |
| | A 070 | URD 33 LI | 1000 | | R300234 | | | A070UD33LI1000 |
| | A 070 | URD 33 LI | 1100 | | S300235 | | | A070UD33LI1100 |
| | A 070 | URD 33 LI | 1250 | | T300236 | | | A070UD33LI1250 |
| | A 070 | URD 33 LI | 1400 | | V300237 | | | A070UD33LI1400 |
| | A 065 | URD 33 LI | 1600 | | G301076 | | | A065UD33LI1600 |
| | A 065 | URD 33 LI | 1800 | | H301077 | | | A065UD33LI1800 |
| | A 060 | URD 33 LI | 2000 | | J301078 | | | A060UD33LI2000 |
| | A 055 | URD 33 LI | 2250 | | K301079 | | | A055UD33LI2250 |
| | A 050 | URD 33 LI | 2500 | | L301080 | | | A050UD33LI2500 |

Protistor® Square-body Fuses PSC aR sizes 3x - 450V to 700 VAC American Terminals - 30 - 33 Blades



Rated voltage as per American standard.

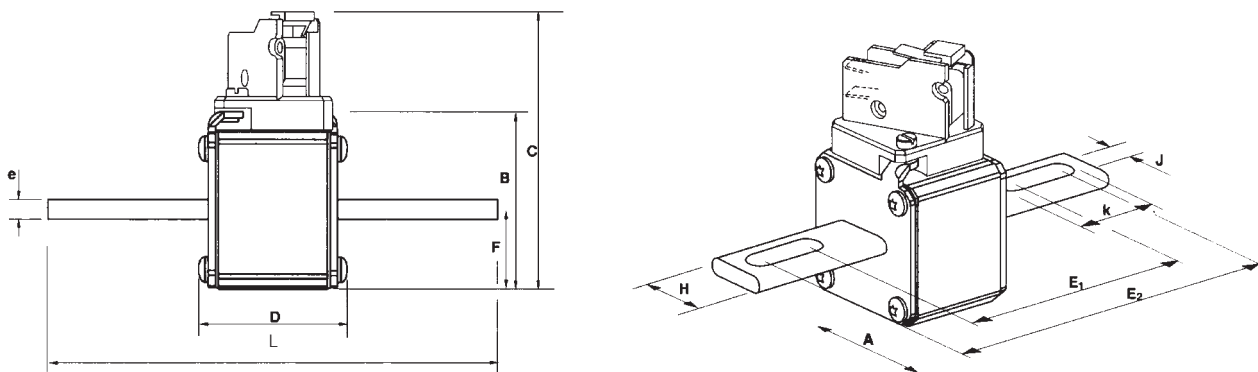
| Size | Designation | Reference Number | Weight (g) | Pack. | Catalog Number |
|------|-----------------------|------------------|------------|-------|----------------|
| | | LL | | | |
| 31 | A 070 URD 31 LLI 0160 | C301923 | 290 | | A070UD31LLI160 |
| | A 070 URD 31 LLI 0200 | J300158 | | | A070UD31LLI200 |
| | A 070 URD 31 LLI 0250 | K300159 | | | A070UD31LLI250 |
| | A 070 URD 31 LLI 0315 | L300160 | | | A070UD31LLI315 |
| | A 070 URD 31 LLI 0350 | M300161 | | | A070UD31LLI350 |
| | A 070 URD 31 LLI 0400 | N300162 | | | A070UD31LLI400 |
| | A 070 URD 31 LLI 0450 | P300163 | | | A070UD31LLI450 |
| | A 070 URD 31 LLI 0500 | Q300164 | | | A070UD31LLI500 |
| | A 070 URD 31 LLI 0550 | R300165 | | | A070UD31LLI550 |
| | A 070 URD 31 LLI 0630 | S300166 | | | A070UD31LLI630 |
| | A 070 URD 31 LLI 0700 | T300167 | | | A070UD31LLI700 |
| | A 070 URD 31 LLI 0800 | J300526 | | | A070UD31LLI800 |



Protistor® Square-body Fuses PSC aR sizes 3x - 450V to 700 VAC American Terminals - 30 - 33 Blades

| | Size | A | B | C | D | E ₁ ^{±1,1} | E ₂ ^{±1,1} | F | H | J | K | L | e |
|----|----------|------------------|------------------|-----------------|------------------|--------------------------------|--------------------------------|------------------|---------------|----------------|---------------|-------------------|-------------|
| K | 30 | 40 1-19/32" | 46,5 1-27/32" | 82 3-7/32" | 47,5 1-7/8" | 68 2-11/16" | 107 4-7/32" | 21 53/64" | 25 1" | 10,5 13/32" | 30 1-3/16" | 129 5-5/64" | 6 15/64" |
| | 31 | 51 2" | 56,5 2-7/32" | 91 3-37/64" | 47,5 1-7/8" | 68 2-11/16" | 107 4-7/32" | 25,5 1" | 25 1" | 10,5 13/32" | 30 1-3/16" | 129 5-5/64" | 6 15/64" |
| | 32 | 60 2-3/8" | 65,5 2-37/64" | 100 3-15/16" | 47,5 1-7/8" | 74,5 2-59/64" | 109 4-9/32" | 30 1-3/16" | 32 1-1/4" | 14,6 9/16" | 32 1-1/4" | 134 5-9/32" | 6 15/64" |
| | 33 | 74,5 2-15/16" | 79,5 3-1/8" | 114 4-1/2" | 48,5 1-29/32" | 75,4 2-31/32" | 107,6 4-15/64" | 37,2 1-15/32" | 40 1-9/16" | 15,9 5/8" | 32 1-1/4" | 134 5-9/32" | 6 15/64" |
| L | 30 | 40 1-19/32" | 46,5 1-27/32" | 82 3-7/32" | 47,5 1-7/8" | 87,6 3-7/16" | 126,6 5" | 21 53/64" | 25 1" | 10,5 13/32" | 30 1-3/16" | 148,5 5-27/32" | 6 15/64" |
| | 31 | 51 2" | 56,5 2-7/32" | 91 3-37/64" | 47,5 1-7/8" | 91,6 3-19/32" | 122,4 4-13/16" | 25,5 1" | 25 1" | 14,6 9/16" | 30 1-3/16" | 148,6 5-27/32" | 6 15/64" |
| | 32 | 60 2-3/8" | 65,5 2-37/64" | 100 3-15/16" | 47,5 1-7/8" | 94,2 3-45/64" | 129 5-5/64" | 30 1-3/16" | 32 1-1/4" | 14,6 9/16" | 32 1-1/4" | 153 5-9/32" | 6 15/64" |
| | 33 | 74,5 2-15/16" | 79,5 3-1/8" | 114 4-1/2" | 48,5 1-29/32" | 94,4 3-23/32" | 126,6 5" | 37,2 1-15/32" | 40 1-9/16" | 15,9 5/8" | 32 1-1/4" | 153 6" | 6 15/64" |
| LL | 31 2" | 51 2-7/32" | 56,5 3-37/64" | 91 3-37/64" | 47,5 1-7/8" | 87,6 3-7/16" | 126,6 5" | 25,5 1" | 25 1" | 10,5 13/32" | 30 1-3/16" | 148,6 5-27/32" | 6 15/64" |

Note:
dimensions in mm
dimensions in inches



Microswitches supplied separately see microswitches for PSC 3x & 7x section