

## Technical data

### **DIN Connectors 41617**

**Technical data**

Number of contacts:	13-, 21- and 31-poles
Contact resistance:	$\leq 5 \text{ m } \Omega$
Insulating resistance:	$\geq 10^{12} \Omega$
Capacity:	$\leq 1 \text{ pF}$
Clearance distance:	$\geq 1.2 \text{ mm}$
Creepage distance:	$\geq 1.2 \text{ mm}$
Working voltage:	250 V~ Isolation class A VDE 0110
Temperature range:	- 55 °C to +125 °C
Working current at an ambient temperature of +60 °C	5 A
Insulator:	polycarbonate GV
Contact material:	copper alloy
Contact finish:	silver plated
Insertion and withdrawal force:	13-poles $\leq 35 \text{ N}$ 21-poles $\leq 55 \text{ N}$ 31-poles $\leq 80 \text{ N}$

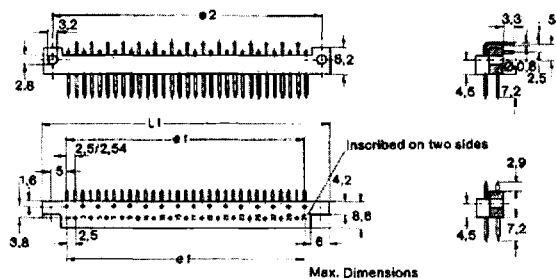
### **DIN Connectors 41612 construction B and C**

**Technical data**

Number of contacts:	32-, 64- and 96-poles
Contact resistance:	$\leq 15 \text{ m } \Omega$
Insulating resistance:	$\geq 10^{12} \Omega$
Clearance distance:	$\geq 1.3 \text{ mm}$
Creepage distance:	$\geq 1.3 \text{ mm}$
Test voltage:	1000 $v_{eff}$
Temperature range:	- 55 °C to +125 °C
Working current at an ambient temperature:	+ 20 °C 2 A + 70 °C 1 A + 100 °C 0.5 A
Working voltage:	250 V~ Isolation class A VDE 0110
Insulator:	Polyester GV UL 94 VO
Contact material:	Copper alloy
Contact finish:	hard gold plated
Insertion and withdrawal force:	32-poles $\leq 30 \text{ N}$ 64-poles $\leq 60 \text{ N}$ 96-poles $\leq 90 \text{ N}$
Quality class III:	50 mating cycles
Quality class I and II upon request	

# Connectors for printed circuits according to DIN 41617 and VG 95323

## Male connector



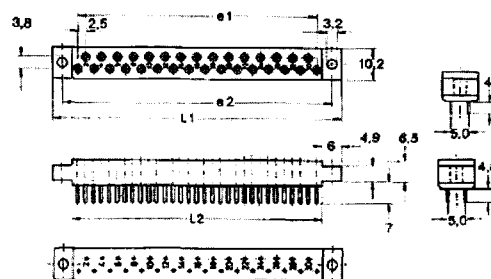
Dimensions (mm / inch)			
No. of contacts	L 1	e 1	e 2
13	45,8 / 1.803	30,0 / 1.181	40,0 / 1.575
21	65,8 / 2.592	50,0 / 1.969	60,0 / 2.362
31	90,8 / 3.575	75,0 / 2.953	85,0 / 3.346

**Part no.**

**Types of contacts**

Angled	No. of contacts
<b>Standard (silver-plated)</b>	
A 13-S1 / SILVER	13
A 21-S1 / SILVER	21
A 31-S1 / SILVER	31

## Female connector



Dimensions (mm / inch)				
No. of contacts	L 1	L 2	e 1	e 2
13	45,8 / 1.803	34,2 / 1.346	30,0 / 1.181	40,0 / 1.575
21	65,8 / 2.592	54,2 / 2.134	50,0 / 1.969	60,0 / 2.362
31	90,8 / 3.575	79,2 / 3.119	75,0 / 2.953	85,0 / 3.346

**Part no.**

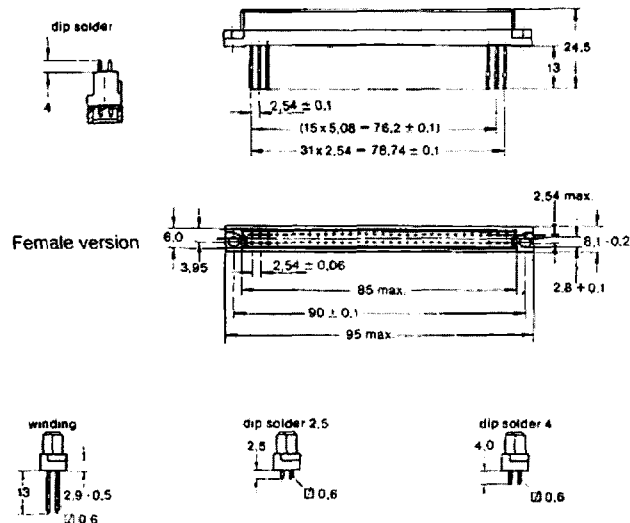
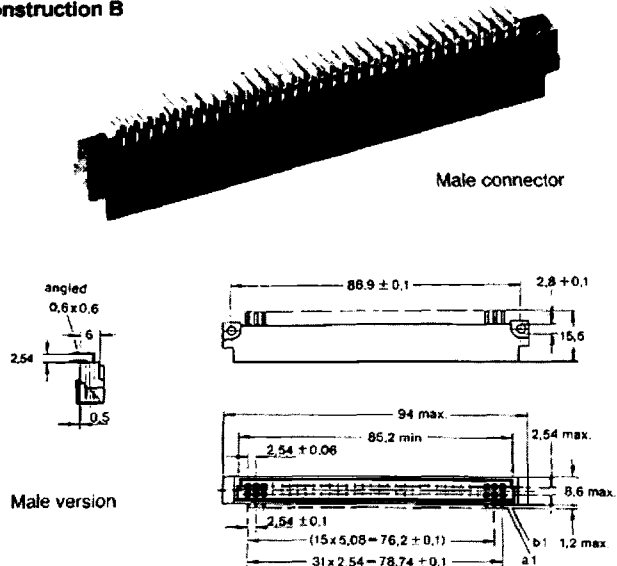
**Types of contacts**

Solder tags	Solder pins	No. of contacts
<b>Standard (silver-plated)</b>		
A 13-S2 / SILVER	A 13-L2 / SILVER	13
A 21-S2 / SILVER	A 21-L2 / SILVER	21
A 31-S2 / SILVER	A 31-L2 / SILVER	31

### Connectors DIN 41612 and VG 95324

#### Construction B and C

##### Construction B



##### Male connector

##### Part no.

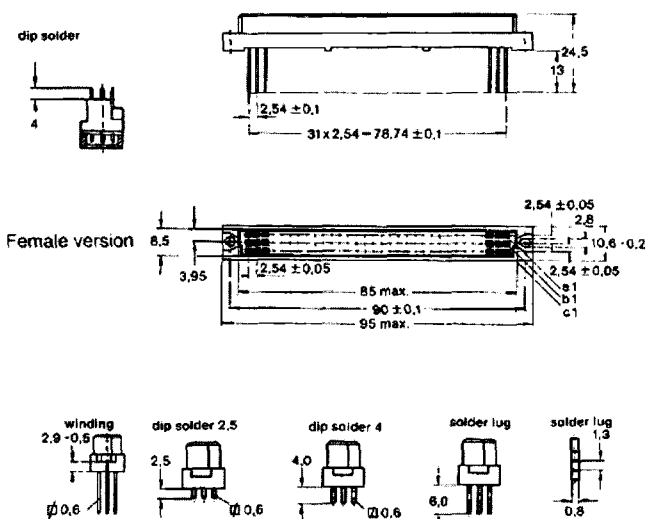
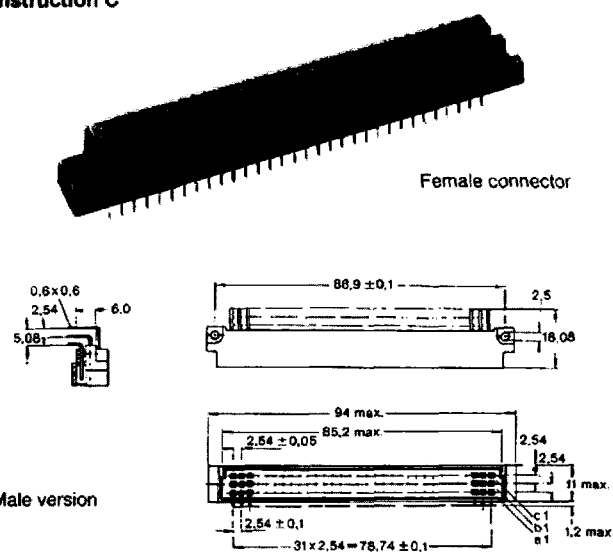
Angled	Solder pin straight	No. of contacts	Equipped row
A 32-U1-III	A 32-U1-III/LP4	32	a+b 2 x 16
A 64-U1-III	A 64-U1-III/LP4	64	a+b 2 x 32

##### Female connector

##### Part no.

Wire Wrap	Dip solder 2.5 mm	Dip solder 4 mm	No. of contacts	Equipped row
A 32-U2-III	A 32-U2-III/LP2	A 32-U2-III/LP4	32	a+b 2 x 16
A 64-U2-III	A 64-U2-III/LP2	A 64-U2-III/LP4	64	a+b 2 x 32

##### Construction C



##### Male connector

##### Part no.

Angled	Solder pin straight	No. of contacts	Equipped row
A 32-S1-III	A 32-S1-III/LP4	32	a+c 2 x 16
A 64-S1-III	A 64-S1-III/LP4	64	a+c 2 x 32
A 96-S1-III	A 96-S1-III/LP4	96	a+b+c 3 x 32

##### Female connector

##### Part no.

Wire Wrap	Dip solder 2.5 mm	Dip solder 4 mm	Solder lug	No. of contacts	Equipped row
A 32-S2-III	A 32-S2-III/LP2	A 32-S2-III/LP4	A 32-S2-III/L0	32	a+c 2 x 16
A 64-S2-III	A 64-S2-III/LP2	A 64-S2-III/LP4	A 64-S2-III/L0	64	a+c 2 x 32
A 96-S2-III	A 96-S2-III/LP2	A 96-S2-III/LP4	A 96-S2-III/L0	96	a+b+c 3 x 32