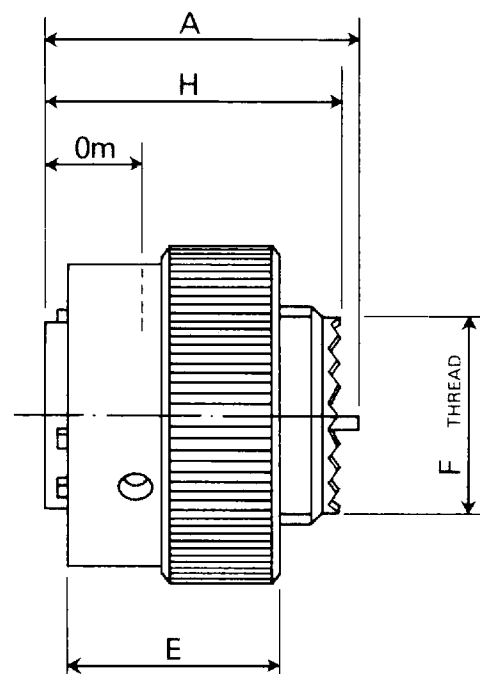
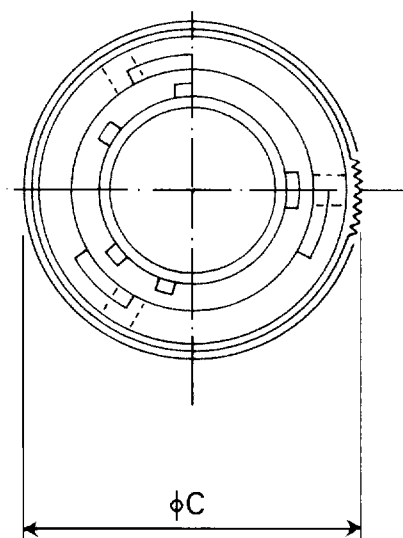
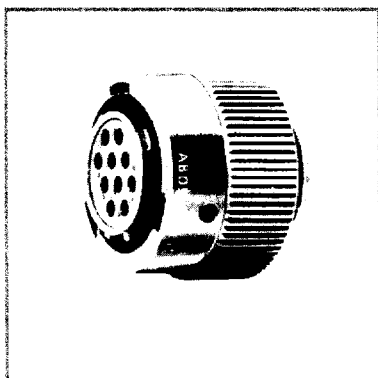


# AB Style:- AB05-6000 Plug, Knurled Coupling Nut

## BS Style:- C2092



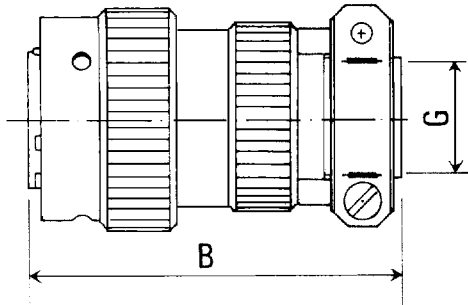
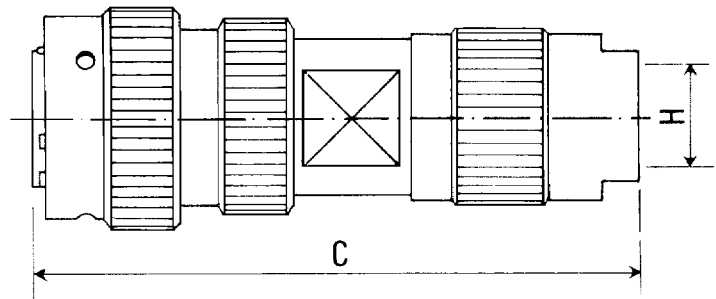
☐ — Metric    ☐ — Imperial

HOUSING (SHELL) SIZE	A max.	$\phi C$ max.	E max.	F thread UNEF 2A	H max.	$O_m$ min. OVERLAP	MASS MAX. G
<b>08</b>	25.4	19.1	19.3	$\frac{7}{16}$ -28	24.4	7.3	12
	1.00	0.75	0.76		0.96	0.29	
<b>10</b>	25.4	21.8	19.3	$\frac{9}{16}$ -24	24.4	7.3	15
	1.00	0.86	0.76		0.96	0.29	
<b>12</b>	25.4	26.4	19.3	$1\frac{1}{16}$ -24	24.4	7.3	20
	1.00	1.04	0.76		0.96	0.29	
<b>14</b>	25.4	30.0	19.3	$1\frac{3}{16}$ -20	24.4	7.3	27
	1.00	1.10	0.76		0.96	0.29	
<b>16</b>	25.4	33.3	19.3	$1\frac{5}{16}$ -20	24.7	7.3	35
	1.00	1.31	0.76		0.97	0.29	
<b>18</b>	25.4	35.6	19.3	$1\frac{1}{2}$ -18	24.9	7.3	45
	1.00	1.40	0.76		0.98	0.29	
<b>20</b>	27.8	39.1	19.3	$1\frac{3}{8}$ -18	26.2	8.9	56
	1.10	1.54	0.76		1.03	0.35	
<b>22</b>	27.8	42.2	19.3	$1\frac{5}{8}$ -18	26.2	8.9	65
	1.10	1.66	0.76		1.03	0.35	
<b>24</b>	27.8	45.2	20.4	$1\frac{7}{8}$ -18	28.0	8.9	80
	1.10	0.78	0.80		1.10	0.35	

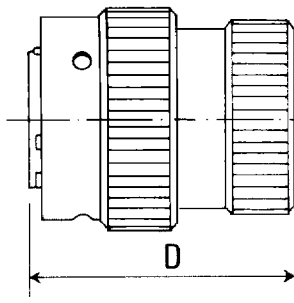
\* Please consult factory



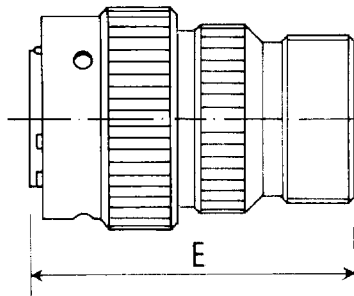
AB05 6027

AB05 6029 (Type A & C Cables)  
AB05 6030 (Type B & Q Cables)

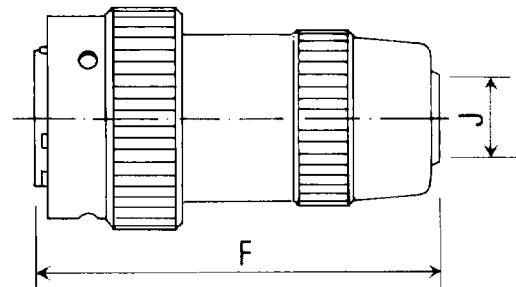
AB05 6040



AB05 6050



AB05 6055



— Metric      — Imperial

SHELL SIZE	B	C for AB05 0029	C for AB05 0030	D	E	F	CABLE φ G MAX.	CABLE φ H MAX.	CABLE φ J MAX.
08	51·33	73·88	73·63	36·22	41·35	46·05	4·06	9·09	5·84
	2·021	2·909	2·899	1·426	1·628	1·813	0·160	0·358	0·230
10	51·33	74·14	73·71	36·22	41·35	46·05	5·02	9·09	7·92
	2·021	2·919	2·902	1·426	1·628	1·813	0·192	0·358	0·321
12	51·33	84·93	84·60	36·22	41·35	48·33	8·30	12·09	11·22
	2·021	3·344	3·331	1·426	1·628	1·903	0·327	0·476	0·442
14	51·33	84·42	84·48	36·22	41·35	51·63	9·77	13·20	13·69
	2·021	3·324	3·326	1·426	1·628	2·033	0·385	0·520	0·539
16	53·36	87·83	86·91	36·22	41·35	57·60	12·95	14·73	15·59
	2·101	3·458	3·422	1·426	1·628	2·268	0·510	0·580	0·614
18*									
20	58·62	89·81	*	37·54	43·45	68·70	16·12	17·17	17·06
	2·308	3·536		1·478	1·711	2·705	0·635	0·676	0·672
22*									
24	58·38	98·23	*	37·54	43·45	75·05	20·57	21·10	22·70
	2·338	3·907		1·478	1·711	2·955	0·810	0·831	0·894

\* Please consult factory