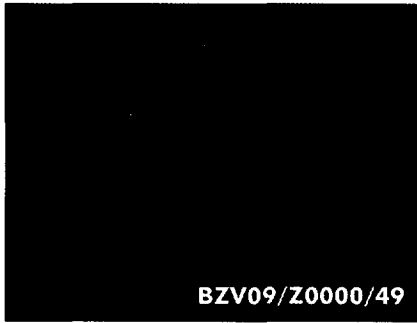
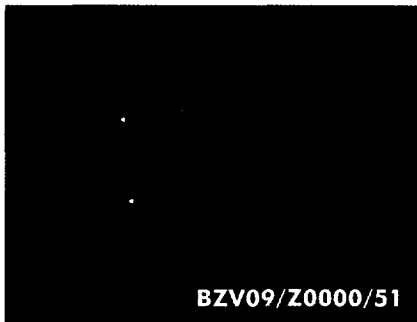
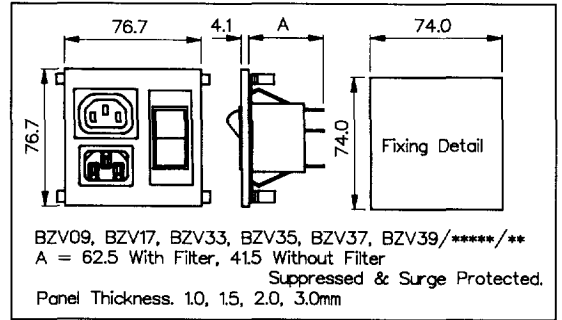


# BULGIN Polysnap® Power Inlet Modules

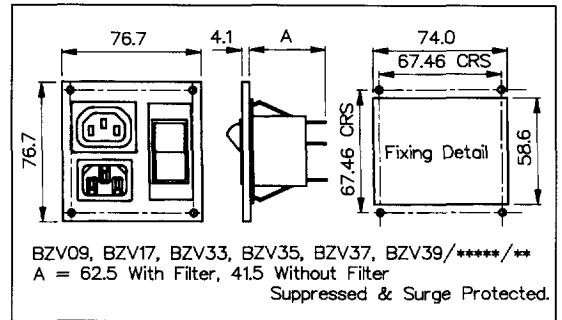
## IEC Inlet/Outlet + Circuit Breaker



- Snap to Panel Moulding
- Vertical Module Arrangement
- Snap-in Components
- Inlet Variations (with various tag sizes)
- Double Pole Circuit Breaker
- Filtered Inlet Option



- Screw to Panel Mounting
- Vertical Module Arrangement
- Snap-in Components
- Inlet Variations (with various tag sizes)
- Double Pole Circuit Breaker
- Filtered Inlet Option



### How to Order

**BZV xx / xxxxx / xx / x**

Type of Inlet / Outlet	Filtered or Non Filtered Inlet	Circuit Breaker and Bezel Style	Current Rating
Power Inlet (cold condition) and Power Outlet: <b>09</b> = PX0575/63 + PX0695/63	Z0000 = Non Filtered Axxxx = Standard Bxxxx = Medical	Double Pole Circuit Breaker, Snap to Panel Bezel: <b>49</b> = Single Pole Sensing, Snap to Panel Bezel	<b>K</b> = 2.0A <b>L</b> = 2.5A <b>M</b> = 3.0A
Power Inlet (cold condition) and Shuttered Power Outlet : <b>17</b> = PX0575/63 + PX0783/63	Cxxxx = High Performance Standard Dxxxx = High Performance Medical	<b>50</b> = Double Pole Sensing Snap to Panel Bezel	<b>Q</b> = 5.0A <b>T</b> = 8.0A
Suppressed Power Inlet (cold condition) and Power Outlet: <b>33</b> = PXS575/63 + PX0695/63	Exxxx = Earth Line Choke	Double Pole Circuit Breaker, Screw to Panel Bezel: <b>51</b> = Single Pole Sensing Screw to Panel Bezel	<b>U</b> = 10.0A
Surge Protected Power Inlet (cold condition) and Power Outlet: <b>35</b> = PXT575/63 + PX0695/63	<div style="border: 1px solid black; padding: 5px;">                     For Filtered inlet use 6th to 9th characters from filter ordering code see pages 75-79.                       E.g. BZV09/<b>A0120</b>/49K                 </div>	<b>52</b> = Double Pole Sensing Screw to Panel Bezel	
Suppressed Power Inlet (cold condition) and Shuttered Power Outlet: <b>37</b> = PXS575/63 + PX0783/63			
Surge Protected Power Inlet (cold condition) and Shuttered Power Outlet: <b>39</b> = PXT575/63 + PX0783/63			

**Note: For technical details of individual components please see page 54**

Polysnap®