



- Enhanced, high performance CA80C85B microprocessor features pin and functional compatibility with industry standard 8085 and 8085A
- Very low power consumption achieved with proven CMOS implementation
- TTL compatible input/output voltages
- Fast - Available in 8 MHz, 6 MHz, 5 MHz and 3 MHz speed versions
- Full support of extended instruction set, and standard 8080 and 8085/8085A instruction sets
- Runs over 10,000 CP/M® programs
- On-chip clock generator (using external crystal, LC or RC network)
- Direct addressing to 64K bytes
- Four Interrupt inputs (one non-maskable)
- One of the multi-sourced, Calmos™ 8000 series products

The CA80C85B is an 8-bit microprocessor having complete pin and functional compatibility with industry standard 8085s and 8085As. In addition, it supports the special 8085 extended instruction set. The CA80C85B includes an on-board system controller, clock generator, serial I/O port and direct addressing capability to 64K bytes of memory. The device also utilizes a multiplexed data bus, with 16-bit addresses split between an 8-bit address bus and an 8-bit data bus.

The CA80C85B is manufactured in CMOS and supplied in PDIP and PLCC package configurations suitable for commercial, industrial and military applications.

The CA80C85B provides the systems designer with single component CPU functionality, thereby reducing the parts count. Its low power consumption and TTL I/O compatibility make the CA80C85B particularly well suited to portable or standby type applications.

The CA80C85B is also available as a macrocell building block for custom circuit/Complex Array Logic design. Thus it can be used in conjunction with existing industry standard 8000 peripheral devices, or incorporated into original IC designs for even lower overall system costs.

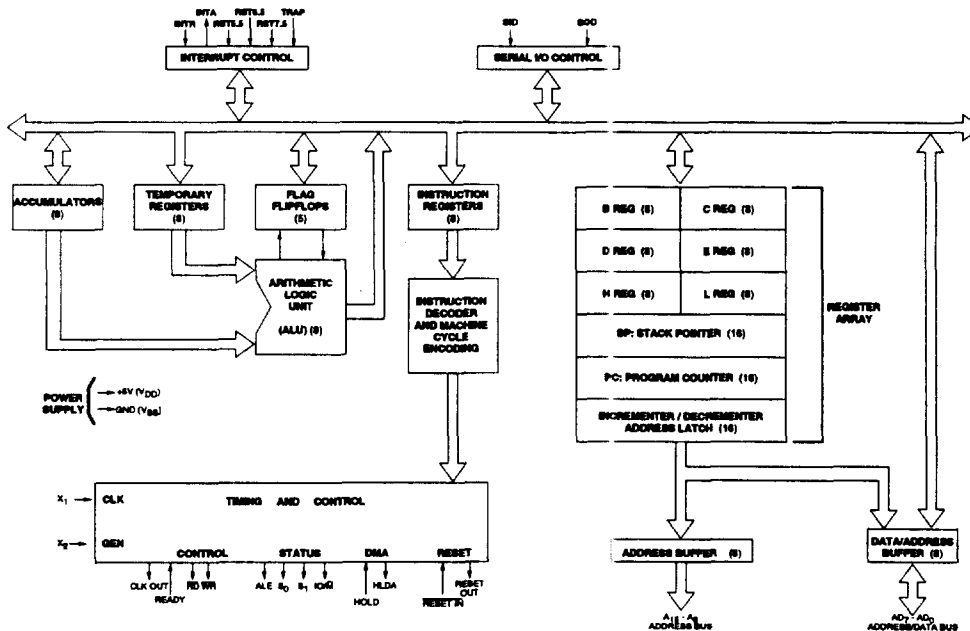


Figure 1 : CA80C85B Block Diagram

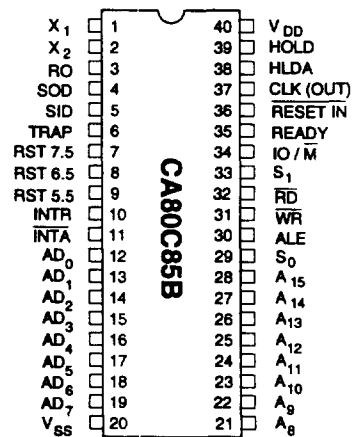


Figure 2 : PDIP Pin Configuration

Table 1 : Pin Descriptions

Symbol PLCC	Pin	Type	Name and Function
A <sub>8</sub> - A <sub>15</sub>	21 - 28	O	<b>High Address Bus:</b> the most significant 8 bits of the memory address.
AD <sub>0</sub> - AD <sub>7</sub>	12 - 19	I/O	<b>Low Address and Data Bus:</b> the least significant 8 bits of the memory address multiplexed with an 8-bit data bus.
ALE	30	O	<b>Address Latch Enable Out:</b> This signal occurs during the first clock state of a machine cycle. The falling edge of the ALE may be used to strobe the status information.
CLK	37	O	<b>Clock:</b> This signal can be used as a system clock. The period of CLK is twice the period of the X <sub>1</sub> , X <sub>2</sub> input.
HLDA	38	O	<b>Hold Acknowledge:</b> Indicates that the CPU has received the HOLD request and that the bus will be relinquished in the next clock cycle.
HOLD	39	I	<b>Hold Request:</b> Is used to indicate that another master is requesting the use of the address and data buses. When HOLD is acknowledged (HLDA), the Address, Data, $\overline{RD}$ , $\overline{WR}$ and $IO/\overline{M}$ lines are set to the high impedance state. Note that the CPU can regain control of the bus only after the HOLD is removed.
$\overline{INTA}$	11	O	<b>Interrupt Acknowledge:</b> This active low signal indicates that the interrupt request input (INTR) has been recognized and acknowledged.
INTR	10	O	<b>Interrupt Request:</b> This is a general purpose interrupt. When INTR goes HIGH, it will inhibit the Program Counter, generate an interrupt acknowledge ( $\overline{INTA}$ ) signal, and sample the data bus for a RESTART or CALL instruction.
$IO/\overline{M}$	34	O	<b>Machine Cycle Status:</b> See S <sub>0</sub> and S <sub>1</sub> status bits for further details.
$\overline{RD}$	32	O	<b>Read Control:</b> Active low signal is used to indicate that selected memory or I/O device is to be read with the data bus available for the data transfer. $\overline{RD}$ is set to a high impedance state during HOLD, HALT and RESET modes.
READY	35	I	<b>Ready:</b> This signal is set to HIGH during read or write cycles to indicate that the selected

**FUNCTIONAL DESIGN**

The CA80C85B utilizes a stack architecture to enable any part of the external memory to be employed as a Last In/First Out (LIFO) memory stack. A 16-bit stack pointer controls the addressing of this stack. The arrangement allows extensive subroutine nesting and multiple level interrupts to be handled without losing the system status. In addition, the device accepts serial input data and provides serial output data, functions which are controlled by the interrupt mask instructions.

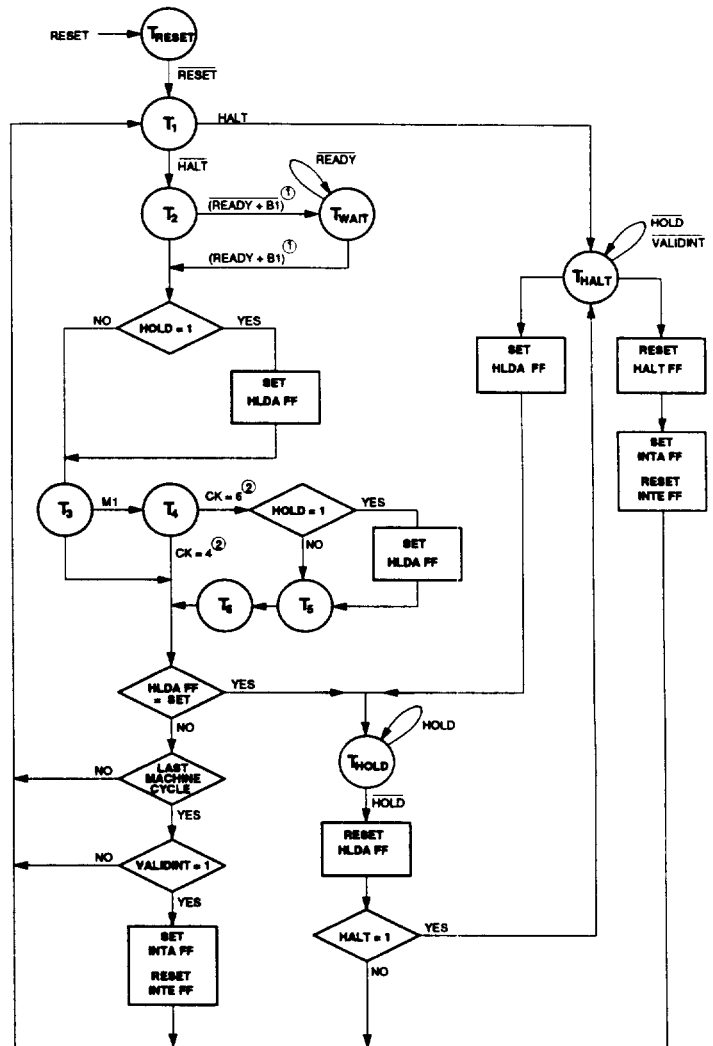
The CA80C85B provides 16-bit arithmetic operation with immediate operators and decimal capability. An 8-bit accumulator, four user accessible flag bits, an 8-bit parallel binary arithmetic unit and six 8-bit data registers, all shown in the block diagram of Figure 1, are also provided. CA80C85B timing signals are supplied by an internal clock generator (which can be used with either crystal or RC timing circuits), or by an external clock input signal. Status outputs convey memory I/O instruction and Read/Write timing indications.

For typical, single function type configurations, the CA80C85B is supplied in a 40-pin package, the low pin count a result of multiplexing the Address and Data Bus lines. Pin functions are described in Table 1, with the 40-pin DIP pin configuration illustrated in Figure 2. The lower processor pin count of this device can be reflected throughout a system design by similar pin count reductions in peripheral chips. Further, this optimization can be achieved without incurring complex or critical timing problems.

The CA80C85B has five levels of interrupts, including three maskable restart interrupts, one non-maskable TRAP interrupt and a bus vectored interrupt, INTR. Bus control is provided by the  $\overline{\text{RD}}$ ,  $\overline{\text{WR}}$ ,  $S_0$ ,  $S_1$ ,  $\text{IO}/\overline{\text{M}}$  and  $\overline{\text{INTA}}$  interrupt acknowledge signals. When a HOLD control input signal is received, both Address and Data Bus are set to a high-impedance state, and an HLDA output signal acknowledges that microprocessor operation is stopped, and that the buses are available for use by other devices. Note that HOLD and all other interrupt signals are synchronized with the processor's internal clock. This is illustrated in the processor state transition diagram of Figure 3.

In addition to the Data Bus, a simple serial interface is provided by the Serial Input Data (SID) and Serial Output Data (SOD) lines.

At the software level, the CA80C85B supports the full extended instruction set, offering 10 additional instructions for the production of more efficient code. The five existing condition code flags have also been enhanced with two additional flag bits, one of which indicates a 2s complement overflow.



- Notes:
1. BI indicates that the bus is idle during this machine cycle, though the processor itself is active
  2. CK indicates the number of clock cycles in this machine cycle.

**Figure 3 : State Transition Diagram**

Table 2 : 3 MHz AC Characteristics

 $T_A = -40^\circ \text{ to } +85^\circ \text{C}$ ,  $V_{DD} = +5\text{v} + 10\%$ ,  $t_{CYC} = 320 \text{ ns}$ ,  $C_L = 150 \text{ pF}$ 

Symbol	Parameter	Limits		Units
		Min	Max	
$t_1$	CLK Low Time	80	-	ns
$t_2$	CLK High Time	120	-	ns
$t_{AC}$	$A_8 - A_{15}$ Valid to Leading Edge of Control (Note 1)	270	-	ns
$t_{ACL}$	$A_0 - A_7$ Valid to Leading Edge of Control	240	-	ns
$t_{AD}$	$A_0 - A_{15}$ Valid to Valid Data In	-	575	ns
$t_{AFR}$	Address Float After Leading Edge of $\overline{RD}$ , $\overline{INTA}$	-	0	ns
$t_{AL}$	$A_8 - A_{15}$ Valid Before Trailing Edge of ALE (Note 1)	115	-	ns
$t_{ALL}$	$A_0 - A_7$ Valid Before Trailing Edge of ALE	90	-	ns
$t_{ARY}$	READY Valid from Address Valid	-	220	ns
$t_{CA}$	Address ( $A_8 - A_{15}$ ) Valid After Control	120	-	ns
$t_{CC}$	Width of Control Low ( $\overline{RD}$ , $\overline{WR}$ , $\overline{INTA}$ )	400	-	ns
$t_{CL}$	Trailing Edge of Control to Leading Edge of ALE	50	-	ns
$t_{CYC}$	CLK Cycle Period	320	2000	ns
$t_{DW}$	Data Valid to Trailing Edge of $\overline{WR}$	420	-	ns
$t_f$	CLK Fall Time	-	30	ns
$t_{HABE}$	HLDA to Bus Enable	-	210	ns
$t_{HABF}$	Bus Float After HLDA	-	210	ns
$t_{HACK}$	HLDA Valid to Trailing Edge of CLK	110	-	ns
$t_{HDH}$	HOLD Hold Time	0	-	ns
$t_{HDS}$	HOLD Setup Time to Trailing Edge of CLK	170	-	ns
$t_{INH}$	INTR Hold Time	0	-	ns
$t_{INS}$	INTR RST and TRAP Setup Time to Falling Edge of CLK	160	-	ns
$t_{LA}$	Address Hold Time After ALE	100	-	ns
$t_{LC}$	Trailing Edge of ALE to Leading Edge of Control	130	-	ns
$t_{LCK}$	ALE Low During CLK High	100	-	ns
$t_{LDR}$	ALE to Valid Data During Read	-	460	ns
$t_{LDW}$	ALE to Valid Data During Write	-	200	ns
$t_{LL}$	ALE Width	140	-	ns
$t_{LRY}$	ALE to Ready Stable	-	110	ns
$t_r$	CLK Rise Time	-	30	ns
$t_{RAE}$	Trailing Edge of RD to re-Enabling of Address	150	-	ns
$t_{RD}$	$\overline{RD}$ (or $\overline{INTA}$ ) to Valid Data	-	300	ns
$t_{RDH}$	Data Hold Time After $\overline{RD}$ , $\overline{INTA}$	0	-	ns
$t_{RV}$	Control Trailing Edge to Leading Edge of Next Control	400	-	ns
$t_{RYH}$	READY Hold Time	0	-	ns
$t_{RYS}$	READY Setup Time to Leading Edge of CLK	110	-	ns
$t_{WD}$	Data Valid After Trailing Edge of $\overline{WR}$	100	-	ns
$t_{WDL}$	Leading Edge of $\overline{WR}$ to Data Valid	-	40	ns
$t_{XKF}$	$X_1$ Rising to CLK Falling	20	150	ns
$t_{XKR}$	$X_1$ Rising to CLK Rising	20	120	ns

Note: 1.  $A_8 - A_{15}$  Address Specs apply to  $IO/\overline{M}$ ,  $S_0$  and  $S_1$ . Except  $A_8 - A_{15}$  are undefined during  $T_4 - T_6$  of cycle whereas  $IO/\overline{M}$ ,  $S_0$  and  $S_1$  are stable.

Table 3 : 5 MHz AC Characteristics

 $T_A = -40^\circ$  to  $+85^\circ\text{C}$ ,  $V_{DD} = +5\text{v} + 10\%$ ,  $t_{CYC} = 200\text{ ns}$ ,  $C_L = 150\text{ pF}$ 

Symbol	Parameter	Limits		Units
		Min	Max	
$t_1$	CLK Low Time	40	-	ns
$t_2$	CLK High Time	70	-	ns
$t_{AC}$	$A_8 - A_{15}$ Valid to Leading Edge of Control (Note 1)	115	-	ns
$t_{ACL}$	$A_0 - A_7$ Valid to Leading Edge of Control	115	-	ns
$t_{AD}$	$A_0 - A_{15}$ Valid to Valid Data In	-	330	ns
$t_{AFR}$	Address Float After Leading Edge of $\overline{RD}$ , $\overline{INTA}$	-	0	ns
$t_{AL}$	$A_8 - A_{15}$ Valid Before Trailing Edge of ALE (Note 1)	50	-	ns
$t_{ALL}$	$A_0 - A_7$ Valid Before Trailing Edge of ALE	50	-	ns
$t_{ARY}$	READY Valid from Address Valid	-	100	ns
$t_{CA}$	Address ( $A_8 - A_{15}$ ) Valid After Control	60	-	ns
$t_{CC}$	Width of Control Low ( $\overline{RD}$ , $\overline{WR}$ , $\overline{INTA}$ )	230	-	ns
$t_{CL}$	Trailing Edge of Control to Leading Edge of ALE	25	-	ns
$t_{CYC}$	CLK Cycle Period	200	2000	ns
$t_{DW}$	Data Valid to Trailing Edge of $\overline{WR}$	230	-	ns
$t_f$	CLK Fall Time	-	30	ns
$t_{HABE}$	HLDA to Bus Enable	-	150	ns
$t_{HABF}$	Bus Float After HLDA	-	150	ns
$t_{HACK}$	HLDA Valid to Trailing Edge of CLK	40	-	ns
$t_{HDH}$	HOLD Hold Time	0	-	ns
$t_{HDS}$	HOLD Setup Time to Trailing Edge of CLK	120	-	ns
$t_{INH}$	INTR Hold Time	0	-	ns
$t_{INS}$	INTR RST and TRAP Setup Time to Falling Edge of CLK	150	-	ns
$t_{LA}$	Address Hold Time After ALE	50	-	ns
$t_{LC}$	Trailing Edge of ALE to Leading Edge of Control	60	-	ns
$t_{LCK}$	ALE Low During CLK High	50	-	ns
$t_{LDR}$	ALE to Valid Data During Read	-	250	ns
$t_{LDW}$	ALE to Valid Data During Write	-	140	ns
$t_{LJ}$	$\Delta I.F.$ Width	80	-	ns

Table 4 : 6 MHz AC Characteristics

 $T_A = -40^\circ$  to  $+85^\circ\text{C}$ ,  $V_{DD} = +5\text{v} + 5\%$ ,  $t_{CYC} = 167\text{ ns}$ ,  $C_L = 150\text{ pF}$ 

Symbol	Parameter	Limits		Units
		Min	Max	
$t_1$	CLK Low Time	34	-	ns
$t_2$	CLK High Time	59	-	ns
$t_{AC}$	$A_8 - A_{15}$ Valid to Leading Edge of Control (Note 1)	96	-	ns
$t_{ACL}$	$A_0 - A_7$ Valid to Leading Edge of Control	96	-	ns
$t_{AD}$	$A_0 - A_{15}$ Valid to Valid Data In	-	292	ns
$t_{AFR}$	Address Float After Leading Edge of $\overline{RD}$ , $\overline{INTA}$	-	0	ns
$t_{AL}$	$A_8 - A_{15}$ Valid Before Trailing Edge of ALE (Note 1)	42	-	ns
$t_{ALL}$	$A_0 - A_7$ Valid Before Trailing Edge of ALE	42	-	ns
$t_{ARY}$	READY Valid from Address Valid	-	83	ns
$t_{CA}$	Address ( $A_8 - A_{15}$ ) Valid After Control	50	-	ns
$t_{CC}$	Width of Control Low ( $\overline{RD}$ , $\overline{WR}$ , $\overline{INTA}$ )	192	-	ns
$t_{CL}$	Trailing Edge of Control to Leading Edge of ALE	20	-	ns
$t_{CYC}$	CLK Cycle Period	167	2000	ns
$t_{DW}$	Data Valid to Trailing Edge of $\overline{WR}$	192	-	ns
$t_f$	CLK Fall Time	-	25	ns
$t_{HABE}$	HLDA to Bus Enable	-	125	ns
$t_{HABF}$	Bus Float After HLDA	-	125	ns
$t_{HACK}$	HLDA Valid to Trailing Edge of CLK	33	-	ns
$t_{HDH}$	HOLD Hold Time	0	-	ns
$t_{HDS}$	HOLD Setup Time to Trailing Edge of CLK	100	-	ns
$t_{INH}$	INTR Hold Time	0	-	ns
$t_{INS}$	INTR RST and TRAP Setup Time to Falling Edge of CLK	125	-	ns
$t_{LA}$	Address Hold Time After ALE	42	-	ns
$t_{LC}$	Trailing Edge of ALE to Leading Edge of Control	50	-	ns
$t_{LCK}$	ALE Low During CLK High	42	-	ns
$t_{LDR}$	ALE to Valid Data During Read	-	225	ns
$t_{LDW}$	ALE to Valid Data During Write	-	100	ns
$t_{LL}$	ALE Width	67	-	ns
$t_{LRY}$	ALE to Ready Stable	-	25	ns
$t_r$	CLK Rise Time	-	25	ns
$t_{RAE}$	Trailing Edge of RD to Re-enabling of Address	65	-	ns
$t_{RD}$	$\overline{RD}$ (or $\overline{INTA}$ ) to Valid Data	-	125	ns
$t_{RDH}$	Data Hold Time After $\overline{RD}$ , $\overline{INTA}$	0	-	ns
$t_{RV}$	Control Trailing Edge to Leading Edge of Next Control	183	-	ns
$t_{RYH}$	READY Hold Time	0	-	ns
$t_{RYS}$	READY Setup Time to Leading Edge of CLK	84	-	ns
$t_{WD}$	Data Valid After Trailing Edge of $\overline{WR}$	50	-	ns
$t_{WDL}$	Leading Edge of $\overline{WR}$ to Data Valid	-	16	ns
$t_{XKF}$	$X_1$ Rising to CLK Falling	20	110	ns
$t_{XKR}$	$X_1$ Rising to CLK Rising	20	100	ns

Note: 1.  $A_8 - A_{15}$  Address Specs apply to  $IO/\overline{m}$ ,  $S_0$  and  $S_1$ . Except  $A_8 - A_{15}$  are undefined during  $T_4 - T_6$  of cycle whereas  $IO/\overline{m}$ ,  $S_0$  and  $S_1$  are stable.

Table 5 : 8 MHz AC Characteristics

 $T_A = -40^\circ$  to  $+85^\circ\text{C}$ ,  $V_{DD} = +5\text{v} + 5\%$ ,  $t_{CYC} = 125\text{ ns}$ ,  $C_L = 150\text{ pF}$ 

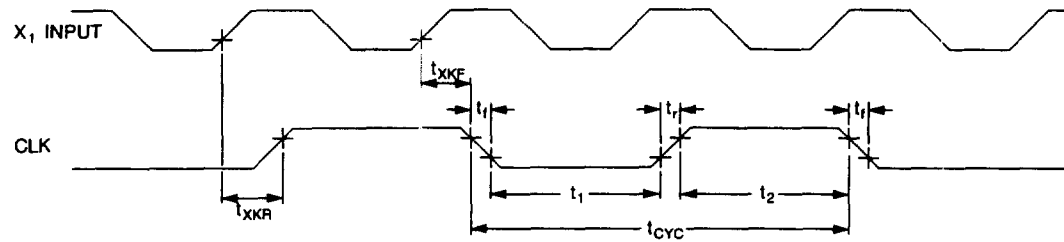
Symbol	Parameter	Limits		Units
		Min	Max	
$t_1$	CLK Low Time	25	-	ns
$t_2$	CLK High Time	44	-	ns
$t_{AC}$	$A_8 - A_{15}$ Valid to Leading Edge of Control (Note 1)	72	-	ns
$t_{ACL}$	$A_0 - A_7$ Valid to Leading Edge of Control	72	-	ns
$t_{AD}$	$A_0 - A_{15}$ Valid to Valid Data In	-	220	ns
$t_{AFR}$	Address Float After Leading Edge of $\overline{RD}$ , $\overline{INTA}$	-	0	ns
$t_{AL}$	$A_8 - A_{15}$ Valid Before Trailing Edge of ALE (Note 1)	31	-	ns
$t_{ALL}$	$A_0 - A_7$ Valid Before Trailing Edge of ALE	31	-	ns
$t_{ARY}$	READY Valid from Address Valid	-	63	ns
$t_{CA}$	Address ( $A_8 - A_{15}$ ) Valid After Control	37	-	ns
$t_{CC}$	Width of Control Low ( $\overline{RD}$ , $\overline{WR}$ , $\overline{INTA}$ )	144	-	ns
$t_{CL}$	Trailing Edge of Control to Leading Edge of ALE	15	-	ns
$t_{CYC}$	CLK Cycle Period	125	2000	ns
$t_{DW}$	Data Valid to Trailing Edge of $\overline{WR}$	144	-	ns
$t_f$	CLK Fall Time	-	25	ns
$t_{HABE}$	HLDA to Bus Enable	-	94	ns
$t_{HABF}$	Bus Float After HLDA	-	94	ns
$t_{HACK}$	HLDA Valid to Trailing Edge of CLK	25	-	ns
$t_{HDH}$	HOLD Hold Time	0	-	ns
$t_{HDS}$	HOLD Setup Time to Trailing Edge of CLK	78	-	ns
$t_{INH}$	INTR Hold Time	0	-	ns
$t_{INS}$	INTR RST and TRAP Setup Time to Falling Edge of CLK	94	-	ns
$t_{LA}$	Address Hold Time After ALE	32	-	ns
$t_{LC}$	Trailing Edge of ALE to Leading Edge of Control	38	-	ns
$t_{LCK}$	ALE Low During CLK High	32	-	ns
$t_{LDR}$	ALE to Valid Data During Read	-	168	ns
$t_{LDW}$	ALE to Valid Data During Write	-	75	ns
$t_{LL}$	ALE Width	50	-	ns
$t_{LRY}$	ALE to Ready Stable	-	25	ns
$t_r$	CLK Rise Time	-	25	ns
$t_{RAE}$	Trailing Edge of $\overline{RD}$ to Re-enabling of Address	45	-	ns
$t_{RD}$	$\overline{RD}$ (or $\overline{INTA}$ ) to Valid Data	-	94	ns
$t_{RDH}$	Data Hold Time After $\overline{RD}$ , $\overline{INTA}$	0	-	ns
$t_{RV}$	Control Trailing Edge to Leading Edge of Next Control	138	-	ns
$t_{RYH}$	READY Hold Time	0	-	ns
$t_{RYS}$	READY Setup Time to Leading Edge of CLK	63	-	ns
$t_{WD}$	Data Valid After Trailing Edge of $\overline{WR}$	34	-	ns
$t_{WDL}$	Leading Edge of $\overline{WR}$ to Data Valid	-	16	ns
$t_{XKF}$	$X_1$ Rising to CLK Falling	20	69	ns
$t_{XKR}$	$X_1$ Rising to CLK Rising	20	63	ns

Note: 1.  $A_8 - A_{15}$  Address Specs apply to  $IO/\overline{M}$ ,  $S_0$  and  $S_1$ . Except  $A_8 - A_{15}$  are undefined during  $T_4 - T_6$  of cycle whereas  $IO/\overline{M}$ ,  $S_0$  and  $S_1$  are stable.

Figure 4 : Timing Diagrams

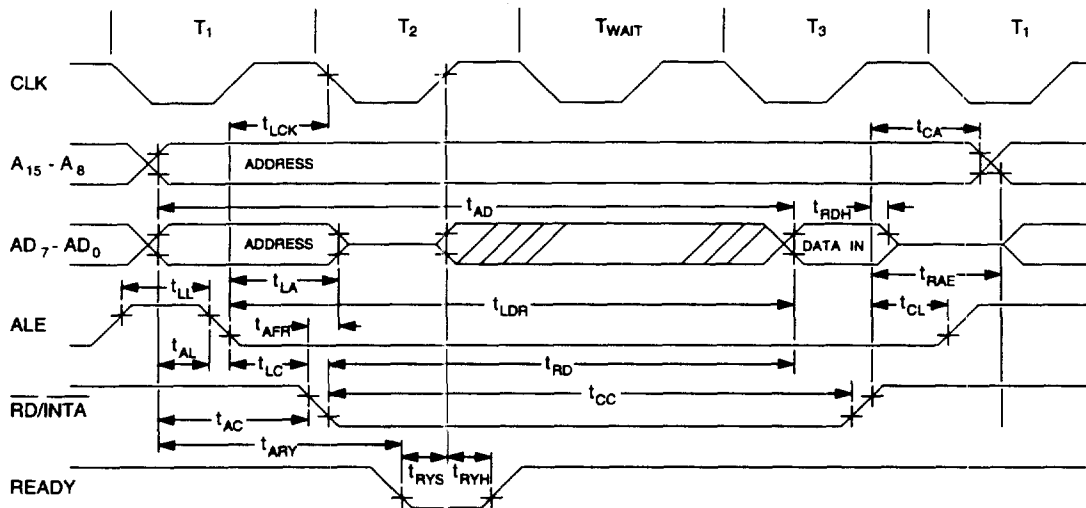
a) Clock Timing

CLOCK TIMING



b) Read Operation

READ OPERATION



c) Write Operation

WRITE OPERATION

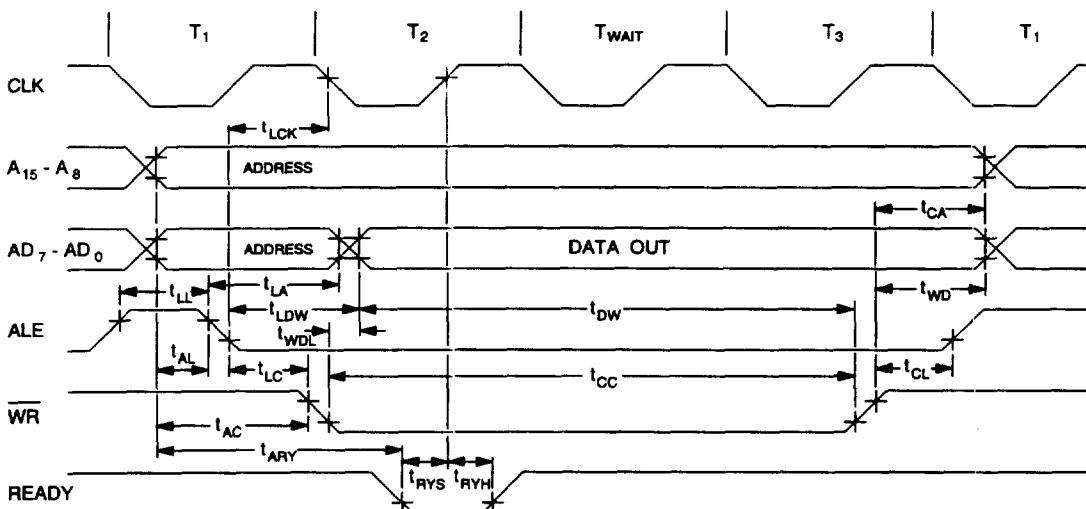
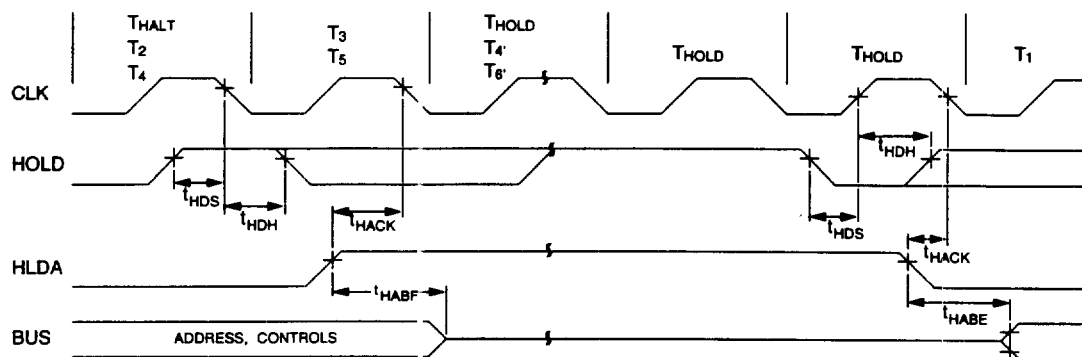


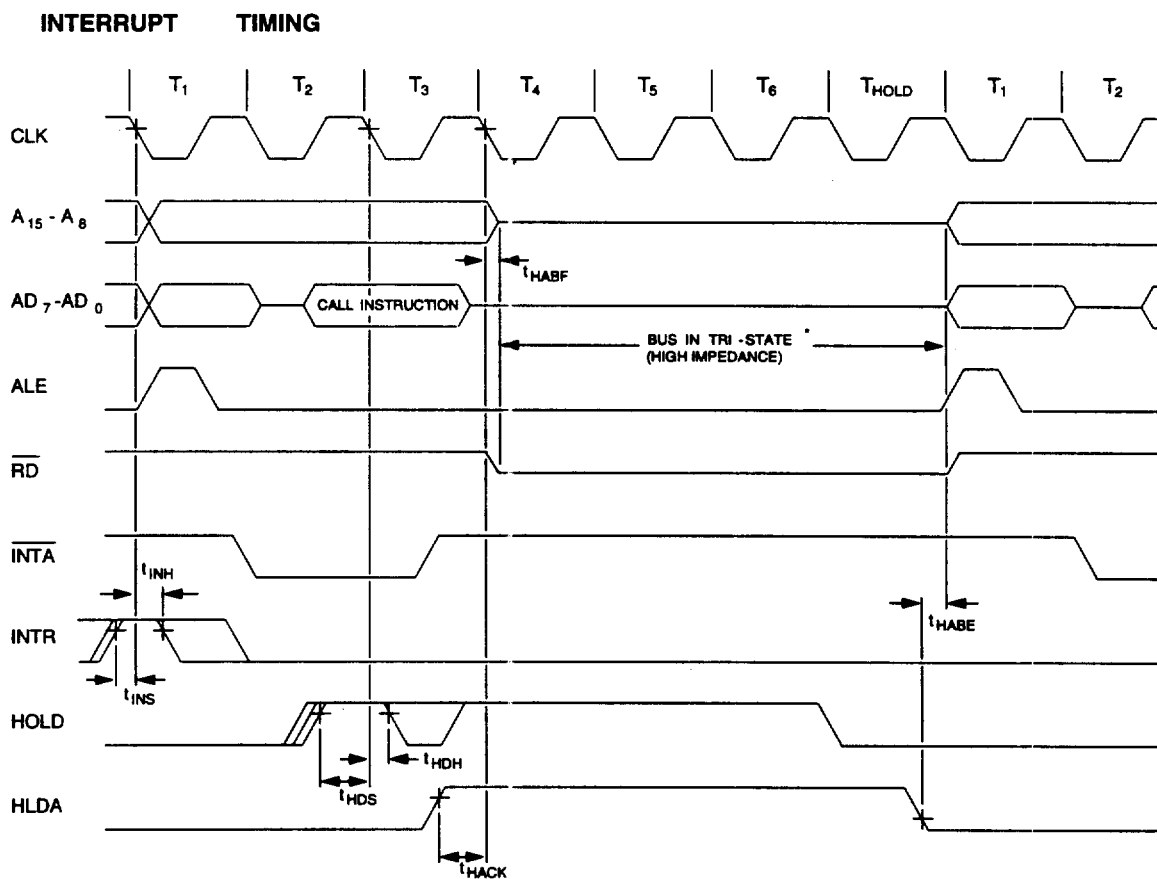


Figure 4 : Timing Diagrams *con't*

**d) Hold Operation**



**e) Interrupt Timing**



\*NOTE:  $\overline{IO/\overline{M}}$  is also floating in a high-impedance state during this time

**Table 6 : DC Characteristics (Commercial and Industrial Temperature Range Devices)** $T_A = -40^\circ$  to  $+85^\circ\text{C}$ ,  $V_{DD} = +5\text{v} + 10\%$ ,  $t_{CYC} = 320$  ns (except as noted)

Symbol	Parameter	Test Condition	Limits		Units
			Min	Max	
$I_{DD1}$	Power Supply Current	$t_{CYC} = 320$ ns, $T_A = -40^\circ\text{C}$		24	mA
		$t_{CYC} = 320$ ns, $T_A = +25^\circ\text{C}$		17	mA
$I_{DD2}$	Power Supply Current	$t_{CYC} = 200$ ns, $T_A = -40^\circ\text{C}$		29	mA
		$t_{CYC} = 200$ ns, $T_A = +25^\circ\text{C}$		21	mA
$I_{IL}$	Input Leakage Current	$V_{IN} = V_{DD}$ and $V_{IN} = 0$		10	$\mu\text{A}$
$I_{OL}$	Output Leakage Current	$0\text{v} \leq V_{OUT} \leq V_{DD}$		10	$\mu\text{A}$
$V_{HY}$	Hysteresis, RESET		0.25		V
$V_{IH}$	Input High Voltage		2.2	$V_{DD}+0.3$	V
$V_{IHR}$	Input High Level, RESET		2.4	$V_{DD}+0.3$	V
$V_{IL}$	Input Low Voltage		-0.3	+0.8	V
$V_{ILR}$	Input Low Level, RESET		-0.3	+0.8	V
$V_{OL}$	Output Low Voltage	$I_{OL} = 2$ mA		0.45	V
$V_{OH}$	Output High Voltage	$I_{OH} = -400$ $\mu\text{A}$	2.4		V
		$I_{OH} = -40$ $\mu\text{A}$	4.2		V

**Table 7 : DC Characteristics (Military Temperature Range Devices)** $T_A = -55^\circ$  to  $+125^\circ\text{C}$ ,  $V_{DD} = +5\text{v} + 10\%$ ,  $t_{CYC} = 320$  ns (except as noted)

Symbol	Parameter	Test Conditions	Limits		Units
			Min	Max	
$I_{DD1}$	Power Supply Current	$t_{CYC} = 320$ ns, $T_A = -55^\circ\text{C}$		26	mA
$I_{DD2}$	Power Supply Current	$t_{CYC} = 200$ ns, $T_A = -55^\circ\text{C}$		32	mA
$I_{IL}$	Input Leakage Current	$V_{IN} = V_{DD}$ and $V_{IN} = 0$		10	$\mu\text{A}$
$I_{OL}$	Output Leakage Current	$0\text{v} \leq V_{OUT} \leq V_{DD}$		10	$\mu\text{A}$
$V_{HY}$	Hysteresis, RESET		0.25		V
$V_{IH}$	Input High Voltage		2.2	$V_{DD}+0.3$	V
$V_{IHR}$	Input High Level, RESET		2.4	$V_{DD}+0.3$	V
$V_{IL}$	Input Low Voltage		-0.3	+0.8	V
$V_{ILR}$	Input Low Level, RESET		-0.3	+0.8	V
$V_{OL}$	Output Low Voltage	$I_{OL} = 2$ mA		0.45	V
$V_{OH}$	Output High Voltage	$I_{OH} = -400$ $\mu\text{A}$	2.4		V
		$I_{OH} = -40$ $\mu\text{A}$	4.2		V

**Table 8 : Absolute Maximum Ratings**

Storage Temperature	-65°C to +160°C
All Input Voltages	-1.0 to +5.5 Volts
All Output or Supply Voltages	-0.5 to +7 Volts
Voltage On Any Pin with respect to Ground	-0.3 to VDD +0.3 Volts
Output Currents	100mA
Power Dissipation	1 Watt
Lead Temperature (Soldering: 10 seconds)	300°C

Note: Stresses beyond those listed above may cause permanent damage to the device. These are stress ratings only, and functional operation of the device at these or any other conditions beyond those indicated in the operational sections of this specification is not implied. Exposure to absolute maximum rating conditions for extended periods may affect device reliability.

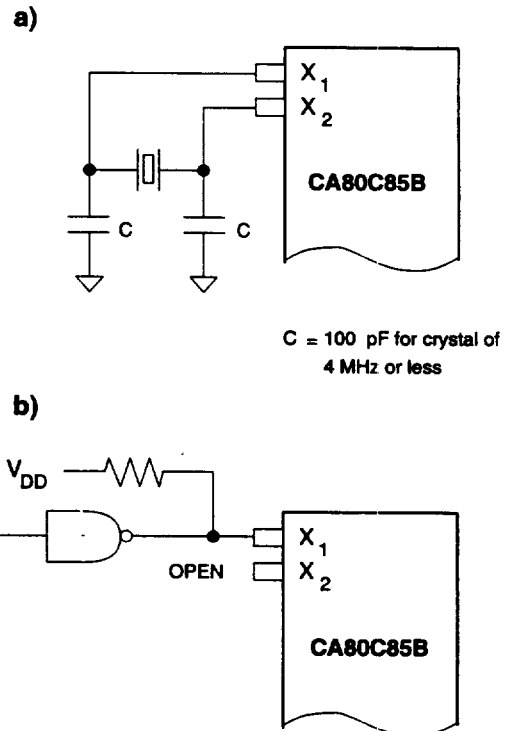
### Clock Inputs

Clock inputs to the CA80C85B are supplied via the two inputs  $X_1$  and  $X_2$ . The  $X_1$  input can be driven either from an external clock, or used with the  $X_2$  input and a crystal to produce an oscillator function. The minimum input

frequency required in both cases is 1 MHz. The actual internal microprocessor clock frequency is one half of the frequency applied or generated externally. For example, a 6 MHz crystal or external clock waveform is required for 3 MHz operation, and a 12 MHz clock source is required for 6 MHz operation.

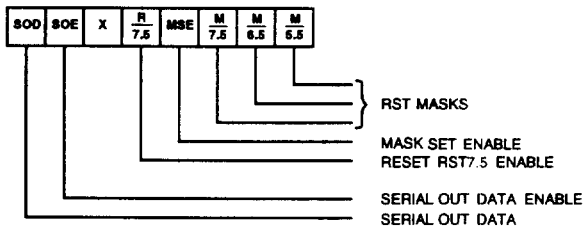
The  $X_1/X_2$  circuitry is intended to be used with a crystal cut for parallel resonance at the required clock frequency. Such crystals require closely controlled load capacitance in order to resonate at the specified frequency. The CA80C85B has an equivalent parallel capacitance of between 10 and 20 pF. Since most crystals will require higher values of capacitance to resonate at precisely their specified frequency, additional capacitance must be added as shown in Figure 5(a).

When the  $X_1$  input is driven from an external clock,  $X_2$  is left open. In this case,  $X_1$  should be driven with a CMOS driver or a TTL device with a pull-up resistor, as shown in Figure 5(b). The clock low time must be greater than 80 ns for the 3 MHz device and 30 ns for the 6 MHz.

**Figure 5 : External Clock Circuits**

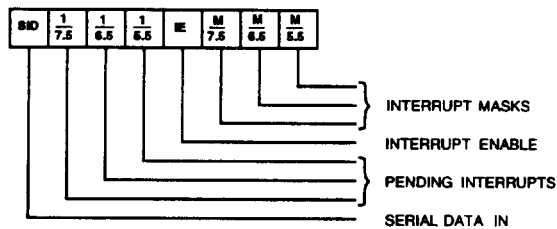
**Serial I/O**

The Set Interrupt Mask (SIM) and Read Interrupt Mask (RIM) instructions provide several functions related to serial port I/O and interrupt mask operations. The SIM instruction is used to output serial data, and to program the interrupt mask register. The output signal, SOD, is set or reset as specified by the SIM instruction, with the accumulator contents constructed as shown in Figure 6.



**Figure 6 : SIM Instruction Data Byte**

The RIM instruction is used to read the serial input data (SID), as well as the interrupt mask. The accumulator contents after a RIM instruction has been executed are as shown in Figure 7.



**Figure 7 : RIM Instruction Data Byte**

**Interrupts**

The five interrupt levels provided by the CA80C85B are listed by descending order of priority in Table 8. TRAP and RSTx.5 are RESTART interrupts. When acknowledged, these four interrupts cause the processor to save the program counter (PC) on the stack, then branch to the restart address specified in the table.

The TRAP interrupt is non-maskable. It is set with a rising edge (low to high) followed by a stable high level until sampled by the processor. To reactivate the TRAP interrupt, the input signal must first go low, then high.

To preserve the status of the Interrupt Enable (IE) flag after a TRAP interrupt has occurred, the interrupt mask must be read and saved immediately after the interrupt has been acknowledged (refer to RIM instruction).

The RST7.5 is a maskable interrupt, set on a rising edge only, and then latched.

The RST6.5 and RST5.5 are maskable interrupts, set with a high level applied to their respective inputs. The status of the three RST interrupt masks can only be affected by the SIM instruction and  $\overline{\text{RESET IN}}$ .

The INTR interrupt is also set by a high level applied to the input pin. It is similar in operation to the 8080 INT interrupt in that the action of the processor is dependent on the instruction placed on the bus during the  $\overline{\text{INTA}}$ .

Note that the servicing of any of the five interrupts disables all future interrupts (except TRAPS) until an EI instruction is executed. Of course, an interrupt of higher priority may interrupt a previous interrupt in process if the interrupts have been re-enabled within the interrupt service routine.

**Table 9 : Interrupt Restart Address**

Interrupt	Restart Address (HEX)
TRAP	24H
RST7.5	3CH
RST6.5	34H
RST5.5	2CH
INTR	Dependent upon the instruction received on the bus during an INTA

**Status Outputs**

The status of the CA80C85B can be determined from the combination of  $S_0$ ,  $S_1$  and  $IO/\bar{M}$  output signals. These signals are latched on the falling edge of an ALE signal, and are valid while ALE is low. Table 9 lists the seven possible types of machine cycles as defined by  $S_0$ ,  $S_1$  and  $IO/\bar{M}$ . Note in the Figure 4 timing diagrams that the  $\bar{RD}$  and  $\bar{WR}$  control lines become active after the status signals, when the transfer of data is to take place.

**Table 10 : Machine Cycle Status Conditions**

$S_0$	$S_1$	$IO/\bar{M}$	Status
1	0	0	Memory Write
0	1	0	Memory Read
1	0	1	I/O Write
0	1	1	I/O Read
1	1	0	Opcode Fetch
1	1	1	Opcode Fetch
1	1	1	Interrupt Acknowledge
Z	0	0	Halt
Z	X	X	Hold
Z	X	X	Reset

Z - High impedance state  
 X - Don't care condition

**Extended Instructions and Condition Codes**

The CA80C85B Flag Register features two additional condition code flags, for a total of seven. These are illustrated in Figure 8. The ten op codes which comprise the extended instruction set of the CA80C85B microprocessor are described in Table 10.

S	Z	AC	O	P	C	FLAG
7	6	4	3	2	0	BIT

V - 2's complement overflow for both 8 and 16-bit arithmetic operations

UI - Underflow indicator (DCX instruction)  
 or  
 Overflow indicator (INX instruction)

$$UI = 01 \times 02 + 01 \times R + 02 \times R$$

where:  
 01 = sign of operand 1  
 02 = sign of operand 2  
 R = sign of result

For subtraction and comparisons, replace 02 with  $\bar{02}$

**Figure 8 : Extended Condition Codes**

Table 11 : CA80C85B Extended Instruction Set

Name	Opcodes	Flags	Cycles	States	Description
ARHL	00010000 Addressing: Register	CY	2	7	<b>Arithmetic Shift of H and L to the Right:</b> The contents of registers H and L are shifted right one bit is shifted into the carry bit. The result is saved in registers H and L. $H7=H7; Hn-1=Hn; L7=H0; Ln-1=Ln; CY=L0$
DSUB	00001000 Addressing: Registerl	Z, S, P, CY,	3	10	<b>Double Subtraction:</b> The contents of registers B and Care subtracted from the contents of registers H and L. The result is saved in registers H and L. $(H) (L)=(H) (L) - (B) (C)$
JNUI	11011101 low-order address high-order address Addressing: Immediate	none	2 or 3	7 or 10	<b>Jump on NOT UI Flag:</b> Control is transferred to the instruction address specified in bytes 2 and 3 of the current instruction. The result is saved in registers H and L. $(H) (L)=(H) (L) - (B) (C)$
JUI	11111101 low-order address high-order address Addressing: Immediate	none	2 or 3	7 or 10	<b>Jump on UI Flag:</b> Control is transferred to the instruction address specified in bytes 2 and 3 of the current instruction, if the Unsigned Indicator Flag (UI) is set. Otherwise control continues sequentially. $(H) (L)=(H) (L) - (B) (C)$
LDHI	00101000 data Addressing: Immediate Register	none	3	10	<b>Load D and E with L Plus Immediate Byte:</b> The immediate byte is added to the contents of registers H and L, and the result is saved in registers D and E. $(D) (E) = (H) (L) + (\text{byte } 2)$
LDSI	00111000 data Addressing: Immediate Register	none	3	10	<b>Load D and E with SP Plus Immediate Byte:</b> The 2 bytes of register SP are added to the immediate byte, and the result is saved in registers D and E. $(D) (E) = (SPH) (SPL) + (\text{byte } 2)$
LHLX	11101101 data Addressing: Register Indirect	none	3	10	<b>Load H and L Indirect Through D and E:</b> The contents of the memory location given by registers D and E are moved to register L. The contents of the next location are moved to register H $L=((D) (E)); H=((D)(E) + 1)$
RDEL	00011000 Addressing: Register	CY, V	3	10	<b>Rotate D and E Left Through Carry:</b> The contents of the registers D and E are rotated one bit left through the carry flag. The low-order bit is set equal to the CY flag and the CY flag is set to the value shifted out of the high-order bit $Dn+1=Dn; D0; E7; CY=D7; En+1=En; E0=CY$
RSTV	11001011 Addressing: Register Indirect	none	1 or 3	6 or 12	<b>Restart on Overflow:</b> If overflow flag V is set, then the actions below are performed. Otherwise, control continues sequentially. If (V): $SP - 1=PCH; SP - 2=PCL; SP=SP - 2; PC=40HEX$
SHLX	11011001 Addressing:	none	3	10	<b>Store H and L Indirect Through D and E:</b> The contents of register L are moved to the memory location given by registers D and E. The contents of register H are

MECHANICALS

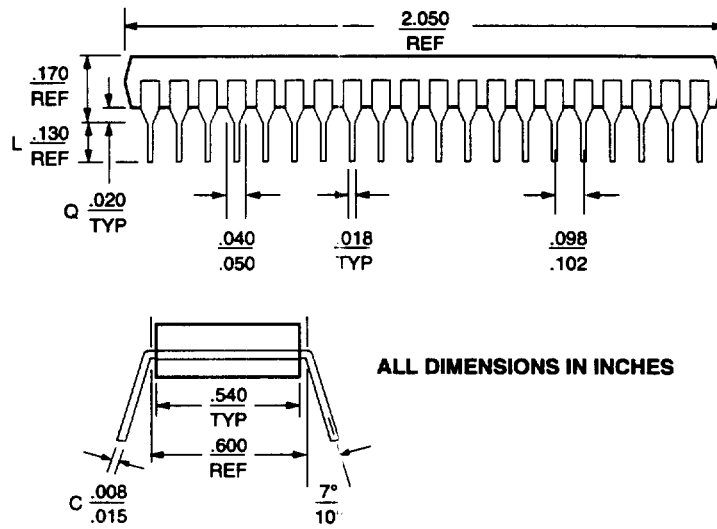
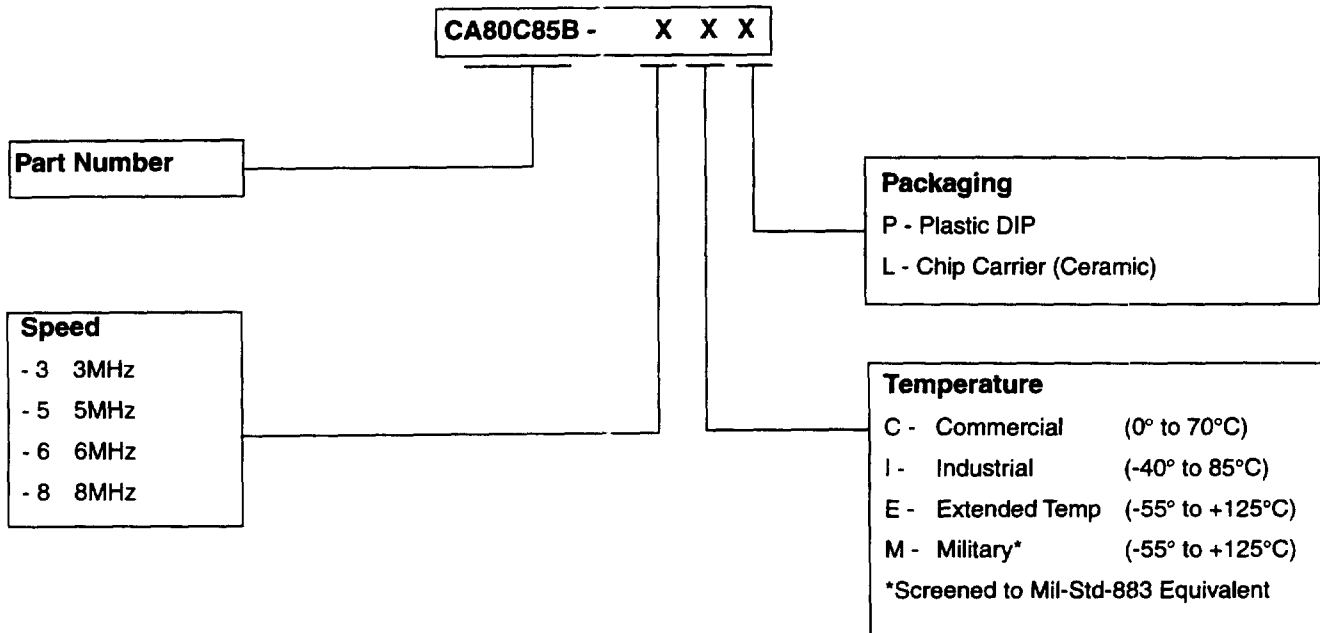


Figure 9: Plastic Packaging

**ORDERING INFORMATION and PRODUCT CODE**



Newbridge Microsystems products are designated by a Product Code. When ordering, refer to products by their full code. For unusual, and/or specific packaging or processing requirements not covered by the standard product line, please contact our factory directly.



**NEWBRIDGE  
MICROSYSTEMS**

A Division of Newbridge Networks Corporation

695 High Glen Dr., San Jose, California 95133  
 Tel: (408) 258-3600 • Fax: (408) 258-3659

603 March Road, Kanata, Ontario Canada K2K 2M5  
 Tel: (613) 592-0714 or 1-800-267-7231 • Fax: (613) 592-1320

*Newbridge Microsystems does not assume any liability arising out of the application or use of any product or circuit described herein; neither does it convey any licence under its patent right nor the rights of others*