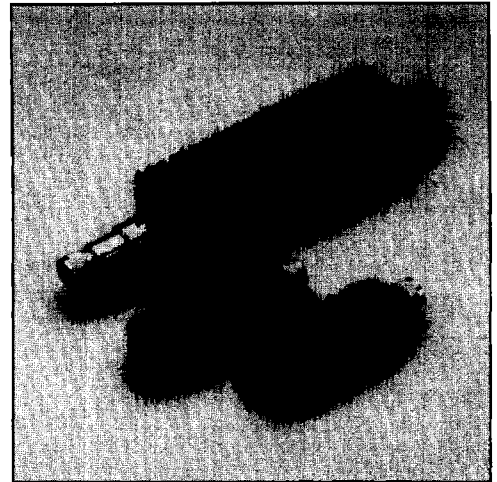


HIGH POWER TERMINATIONS

- Complete Range from 0.5W to 1000W CW
- Exceptionally Low VSWR
- Efficient Heat Dissipation
- Stable Load Impedance
- Special Connector Versions Available on Request



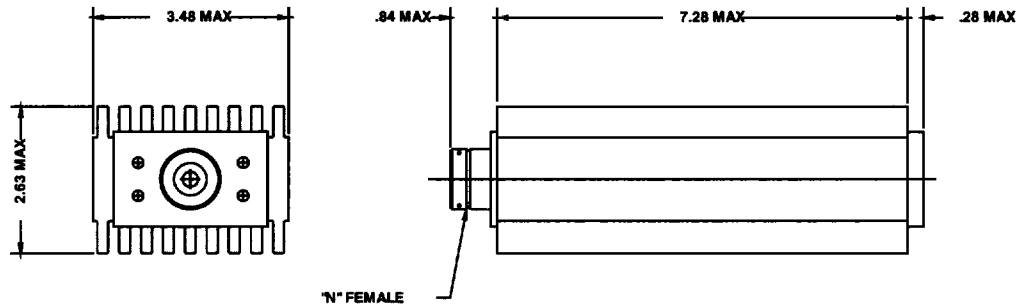
SPECIFICATIONS

High Power Terminations with Type "N" Connectors*

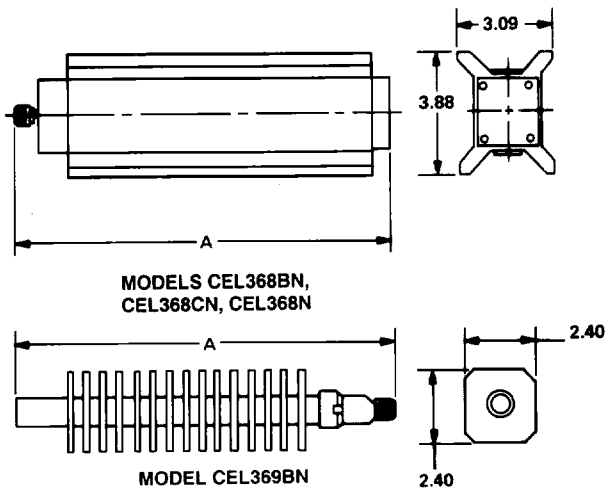
APPLICATION	FREQUENCY RANGE (GHz)	MODEL NO.	POWER		VSWR (Max)	WEIGHT	
			AVERAGE W (Max)	PEAK kW (Max)		lbs	Kg
CELLULAR	DC-1200	CEL390N	1000	10	1.15	20	44
CELLULAR	DC-1200	CEL385N	500	10	1.10	8	3.65
CELLULAR	DC-1200	CEL382N	250	10	1.10	3.4	1.5
CELLULAR	800-980	CEL369BN	175	10	1.2	2.5	1.1
PCS	1710-2200		175	10	1.2	2.5	1.1
PCS	1710-2200	CEL368BN	500W	10	1.4	2.5	1.1

* Order Male or Female connectors as suffix letter, i.e., CEL369BNM Male Type "N"

OUTLINE DRAWINGS



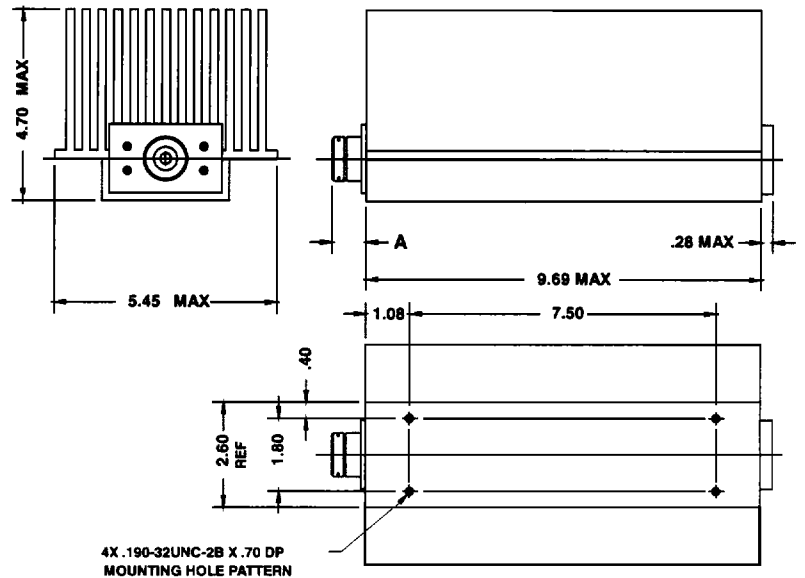
382N



MODELS CEL368BN,
CEL368CN, CEL368N

MODEL CEL369BN

Model No.	A
CEL368BNF	11.78
CEL368BNM	11.90
CEL369BNF	12.88
CEL369BNM	13.02



385NM 385NMF

	385NM	385NMF
A	1.14 Max	0.84 Max

