

ST Connector

Description:

The ST connectors are offered in MM or SM performances with PC polishing method. It is delivered with standard 2.8-3.1 mm cable or 0.9 mm fiber boots.



Features:

- Coupling nut radial track minimizes the rotation needed to mate the connector
- One piece body construction simplifies fields assembly
- Single mode and multimode versions available
- Accommodates tight and loose tube buffer cables with jacket up to 3.1mm
- Ceramic ferrules are configured for easy hand or machine "Super" PC and "Ultra" Polishing
- Metal housing with zirconia ferrule
- Boot options for 3.0 mm and 900 micron breakout cable
- Universal dust cap (fits, ST, SC, FC)

Specifications:

Insertion loss (IL)	typ: 0.25 dB
Return loss (RL)	> 40 dB for jumper length up to 3 m
Strain relief	100 N
Operating temperature	-40°C to +80°C, conditioned by type of cable
Durability	min 500 cycles
Assembly procedure	glue and polish
Connection	physical contact
Lock mechanism	coupling nut
Standards	Bellcore GR-326, TIA 568A
Ferrule material	full ceramic zirconia
Connector material	zinc alloy, nickel plated, thermoplastic rubber

Application:

- LAN, WAN
- Measuring Technique
- Utilities
- Railways

Ordering code:

ST / PC - XX - XX - XX - XXX

connector type¹⁾	
FC	FC connector
SC	SC connector
ST	ST connector
LC	LC connector
MU	MU connector
MJ	MT-RJ connector
connector style	
MM	multimode
SM	singlemode

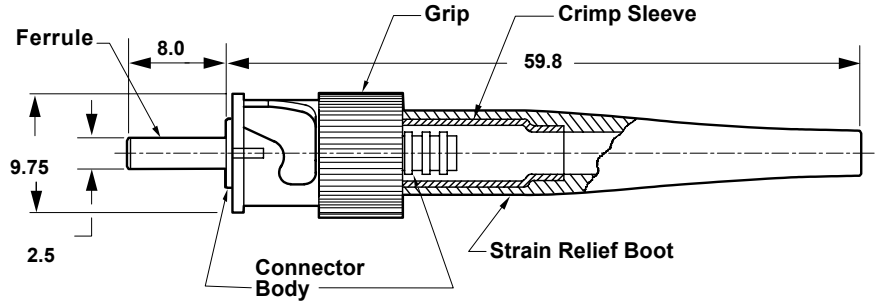
color	
BK	black
boot type	
09	fiber
3B	cable (perforated)

ferrule type²⁾		
hole	preformed shape	preangled
5	N not applicable	F flat
6		
7		

2) Standard ferrule types:
MM 7NF hole Ø 127 µm, not preformed, flat
SM 5NF, 6NF hole Ø 125(6) µm, not preformed, flat

1) ST / QC ST connector type designed for Quick Cure (field termination kit)

Dimensions:



Samples:



ST/PC-MM-BK-09-7NF



ST/PC-MM-BK-3B-7NF

ST[®] is trademark of Lucent Technologies, Inc.