

# Hi Power LEDs

www.DataSheet4U.com

## LITEON® LOPL SMD SERIES

For quantities of 200 and up, call for quote.

MOUSER STOCK NO.	Lite-On Part No.	Fig.	Color	Wave-length (nm)	Luminous Flux (lm)	Power (W)	Voltage (VDC)	Current (A)	Price Each			
									1	10	50	100
<b>1 Watt LEDs</b>												
859-LOPL-E011M	LOPL-E011M	A	Warm White	3800K	28	1.5	3.8	0.35	4.63	3.79	3.40	3.07
859-LOPL-E011W	LOPL-E011W	A	Cool White	5500K	45	1.5	3.8	0.35	4.63	3.79	3.40	3.07
859-LOPL-E011R	LOPL-E011R	A	Red	625	37	1.15	2.57	0.35	3.80	3.11	2.79	2.52
859-LOPL-E011G	LOPL-E011G	A	Green	530	53	1.5	3.7	0.35	3.97	3.25	2.91	2.64
859-LOPL-E011B	LOPL-E011B	A	Blue	470	12	1.5	3.8	0.35	3.97	3.25	2.91	2.64
859-LOPL-E011MA	LOPL-E011MA	B	Warm White	3800K	28	1.5	3.8	0.35	4.96	4.06	3.64	3.29
859-LOPL-E011WA	LOPL-E011WA	B	Cool White	5500K	45	1.5	3.8	0.35	4.96	4.06	3.64	3.29
859-LOPL-E011RA	LOPL-E011RA	B	Red	625	37	1.15	2.57	0.35	5.13	4.20	3.76	3.40
859-LOPL-E011GA	LOPL-E011GA	B	Green	530	53	1.5	3.7	0.35	5.29	4.33	3.88	3.51
859-LOPL-E011BA	LOPL-E011BA	B	Blue	470	12	1.5	3.8	0.35	5.29	4.33	3.88	3.51
859-LOPL-E011MB	LOPL-E011MB	C	Warm White	3800K	28	1.5	3.8	0.35	4.96	4.06	3.64	3.29
859-LOPL-E011WB	LOPL-E011WB	C	Cool White	5500K	45	1.5	3.8	0.35	4.96	4.06	3.64	3.29
859-LOPL-E011RB	LOPL-E011RB	C	Red	625	37	1.15	2.57	0.35	5.13	4.20	3.76	3.40
859-LOPL-E011GB	LOPL-E011GB	C	Green	530	53	1.5	3.7	0.35	5.29	4.33	3.88	3.51
859-LOPL-E011BB	LOPL-E011BB	C	Blue	470	12	1.5	3.8	0.35	5.29	4.33	3.88	3.51
<b>3 Watt LEDs</b>												
859-LOPL-E033M	LOPL-E033M	A	Warm White	3800K	90	3.0	4.0	0.7	10.91	8.93	8.01	7.25
859-LOPL-E033W	LOPL-E033W	A	Cool White	5500K	120	3.0	4.0	0.7	10.91	8.93	8.01	7.25
859-LOPL-E033MA	LOPL-E033MA	B	Warm White	3800K	90	3.0	4.0	0.7	12.23	10.01	8.98	8.12
859-LOPL-E033WA	LOPL-E033WA	B	Cool White	5500K	120	3.0	4.0	0.7	12.23	10.01	8.98	8.12
859-LOPL-E033MB	LOPL-E033MB	C	Warm White	3800K	90	3.0	4.0	0.7	12.23	10.01	8.98	8.12
859-LOPL-E033WB	LOPL-E033WB	C	Cool White	5500K	120	3.0	4.0	0.7	12.23	10.01	8.98	8.12

## SML SMD SERIES

For quantities of 200 and up, call for quote.

MOUSER STOCK NO.	Lumex Part No.	Fig.	Color	Wave-length (nm)	Luminous Flux (lm)	Power (W)	Voltage (VDC)	Current (A)	Price Each			
									1	10	50	100
696-SML-LX1610SIC	SML-LX1610SIC	D	Red	625	22	1.1	2.1	0.35	3.57	2.92	2.62	2.37
696-SML-LX1610SICA	SML-LX1610SICA	D	Red	625	22	1.1	2.1	0.35	3.57	2.92	2.62	2.37
696-SML-LX1610SYC	SML-LX1610SYC	D	Yellow	592	22	1.1	2.1	0.35	3.57	2.92	2.62	2.37
696-SML-LX1610SYCA	SML-LX1610SYCA	D	Yellow	592	22	1.1	2.1	0.35	3.57	2.92	2.62	2.37
696-SML-LX1610UPGC	SML-LX1610UPGC	D	Green	525	25	1.5	4	0.35	6.25	5.12	4.59	4.15
696-SML-LX1610UPGCA	SML-LX1610UPGCA	D	Green	525	25	1.5	4	0.35	6.25	5.12	4.59	4.15
696-SML-LX1610USBC	SML-LX1610USBC	D	Blue	470	5	1.5	3.5	0.35	6.25	5.12	4.59	4.15
696-SML-LX1610USBCA	SML-LX1610USBCA	D	Blue	470	5	1.5	3.5	0.35	6.25	5.12	4.59	4.15
696-SML-LX1610UWC	SML-LX1610UWC	D	White	---	30	1.5	3.5	0.35	6.25	5.12	4.59	4.15
696-SML-LX1610UWCA	SML-LX1610UWCA	D	White	---	30	1.5	3.5	0.35	6.25	5.12	4.59	4.15

## OVSP SMD SERIES

For quantities of 200 and up, call for quote.

MOUSER STOCK NO.	Optek Part No.	Fig.	Color	Wave-length (nm)	Luminous Flux (lm)	Power (W)	Voltage (VDC)	Current (A)	Price Each			
									1	10	50	100
828-OVSPRBCR4	OVSPRBCR4	E	Red	625	26	1.2	2.5	0.4	1.98	1.62	1.46	1.32
828-OVSPYBCR4	OVSPYBCR4	E	Yellow	587	35	1.2	2.5	0.4	1.98	1.62	1.46	1.32
828-OVSPGBCR4	OVSPGBCR4	E	Green	530	48	1.2	3.6	0.35	4.96	4.06	3.64	3.29
828-OVSPBCR4	OVSPBCR4	E	Blue	470	9	1.2	3.6	0.35	3.30	2.70	2.42	2.19
828-OVSPWBCR4	OVSPWBCR4	E	White	---	48	1.2	3.6	0.35	3.60	2.94	2.64	2.39

## OVTL SMD SERIES

For quantities of 200 and up, call for quote.

MOUSER STOCK NO.	Optek Part No.	Fig.	Color	Wave-length (nm)	Luminous Flux (lm)	Power (W)	Voltage (VDC)	Current (A)	Price Each			
									1	10	50	100
828-OVTL01LGARS	OVTL01LGARS	F	Red	625	53	1	2.3	350	2.88	2.35	2.11	1.91
828-OVTL01LGAAS	OVTL01LGAAS	F	Amber	595	38	1	2.3	350	2.88	2.35	2.11	1.91
828-OVTL01LGAGS	OVTL01LGAGS	F	Green	515	52	1	3.6	350	3.27	2.68	2.40	2.17
828-OVTL01LGABS	OVTL01LGABS	F	Blue	460	15	1	3.4	350	3.27	2.68	2.40	2.17
828-OVTL01LGAWS	OVTL01LGAWS	F	Cool White	---	50	1	3.4	350	3.47	2.84	2.55	2.31
828-OVTL01LGAWDS	OVTL01LGAWDS	F	Daylight White	---	45	1	3.4	350	3.47	2.84	2.55	2.31
828-OVTL01LGAWWS	OVTL01LGAWWS	F	Warm White	---	30	1	3.4	350	3.47	2.84	2.55	2.31

## LEDNIUM SERIES

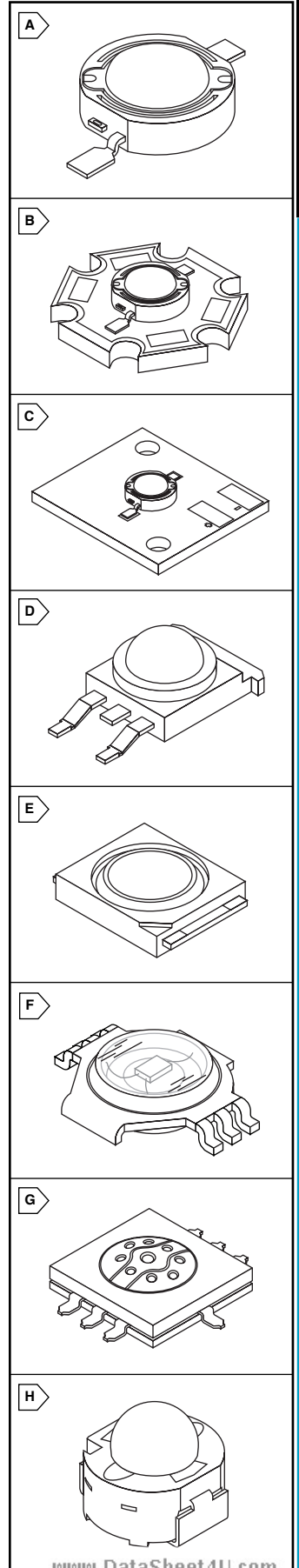
For quantities of 200 and up, call for quote.

MOUSER STOCK NO.	Optek Part No.	Fig.	Color	Wave-length (nm)	Luminous Flux (lm)	Power (W)	Voltage (VDC)	Current (A)	Price Each			
									1	10	50	100
828-OVTL09LGAR	OVTL09LGAR	G	Red	624	247	10	6.1	1.05	52.28	47.05	44.44	43.13
828-OVTL09LGAA	OVTL09LGAA	G	Amber	595	330	10	6.4	1.05	52.28	47.05	44.44	43.13
828-OVTL09LGAG	OVTL09LGAG	G	Green	524	290	10	9.9	1.05	62.40	56.16	53.04	51.48
828-OVTL09LGAB	OVTL09LGAB	G	Blue	467	60	10	9.1	1.05	57.34	51.61	48.74	47.31
828-OVTL09LGAW	OVTL09LGAW	G	White	5000K	250	10	9.1	1.05	66.14	59.53	56.22	54.57
828-OVTL09LGAM	OVTL09LGAM	G	RGB	---	221	10	8.6	1.05	57.34	51.61	48.74	47.31

## SEoul Z-POWER SMD SERIES

For quantities of 200 and up, call for quote.

MOUSER STOCK NO.	Seoul Part No.	Fig.	Color	Wave-length (nm)	Luminous Flux (lm)	Power (W)	Voltage (VDC)	Current (A)	Price Each			
									1	10	50	100
889-R92050	R92050	H	Red	625	14	0.7	2.5	0.2	1.93	1.42	1.27	1.15
889-A92050	A92050	H	Amber	590	18	0.7	2.5	0.2	1.93	1.42	1.27	1.15
889-B92050	B92050	H	Blue	460	5	0.7	3.5	0.2	1.93	1.42	1.27	1.15
889-W92050	W92050	H	Pure White	6500K	25	0.7	3.5	0.2	1.93	1.42	1.27	1.15
889-S92050	S92050	H	Natural White	4000K	20	0.7	3.5	0.2	1.93	1.42	1.27	1.15
889-N92050	N92050	H	Warm White	3000K	15	0.7	3.5	0.2	1.93	1.42	1.27	1.15



www.DataSheet4U.com