

Screw Type Terminals



■ Features

1. Screw-type terminal design holds the lead wire securely.
2. These terminals can be connected to "banana tips".
3. Shielding between terminals for improved crosstalk characteristics.

■ Products Variation

Terminal Form Pins	Straight Type		Right Angle Type	
	Banana Tip Compatible	Lead Wiring	Banana Tip Compatible	Lead Wiring
4P	LTS0410-□□01	LTS0420-□□01 LTS0420-□□04	LTS0410-□□02	LTS0420-□□02 LTS0420-□□03
6P	—	—	LTS0610-□□01 LTS0610-□□02	LTS0620-□□01
8P	LTS0810-□□01	LTS0820-□□01 LTS0820-□□03	LTS0810-□□02	LTS0820-□□02 LTS0820-□□03

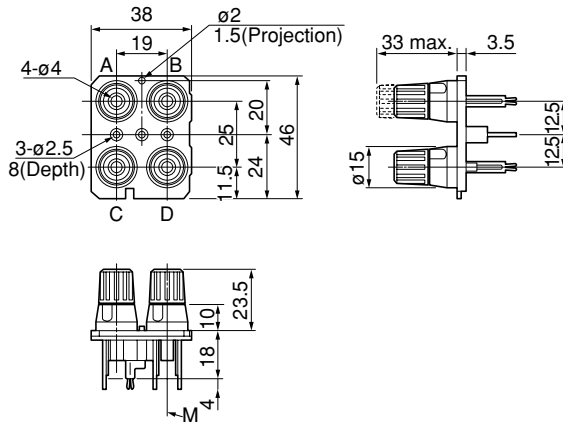
■ Specifications

- Insulation Resistance : 100MΩ min. at 500V DC
(Between each terminal)
- Withstanding Voltage : AC 500V(50/60Hz) (for one minute)
- Operating Temperature : -20°C~+50°C

Screw Type Terminals

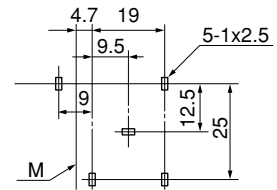


Straight (4P)

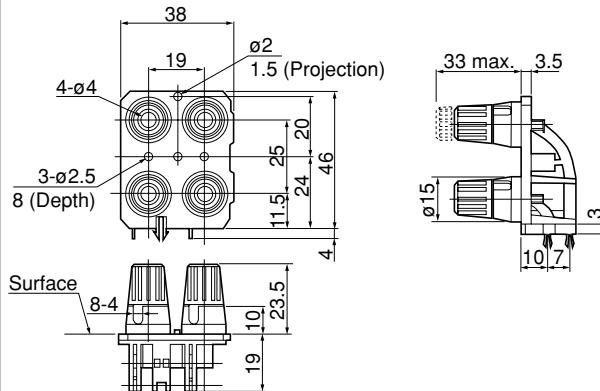


□□	Arrangement			
	A	B	C	D
10	Red	Red	Black	Black
20	Red	Black	Red	Black
30	Black	Black	Red	Red
40	Black	Red	Black	Red

P.C. Board Dimension (The Pattern Side)

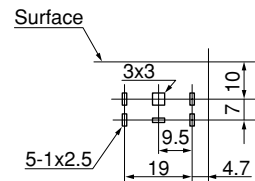


Right Angle (4P)

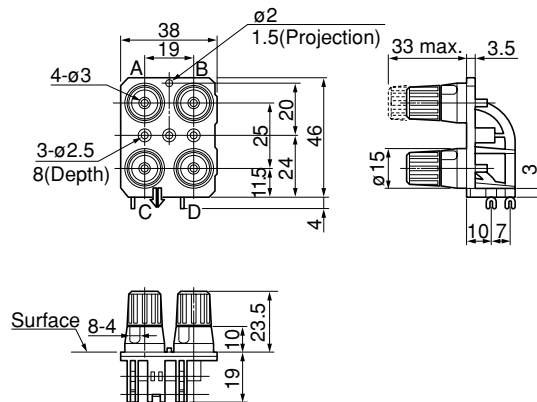


□□	Arrangement			
	A	B	C	D
10	Red	Red	Black	Black
20	Red	Black	Red	Black
30	Black	Black	Red	Red
40	Black	Red	Black	Red

P.C. Board Dimension (The Pattern Side)

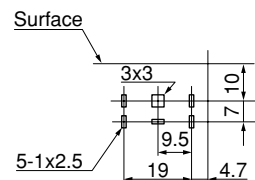


Right Angle (4P)



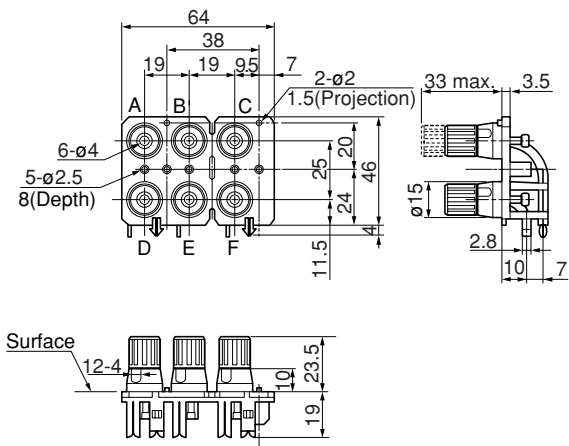
□□	Arrangement			
	A	B	C	D
10	Red	Red	Black	Black
20	Black	Red	Black	Red
30	Red	Black	Red	Black

P.C. Board Dimension (The Pattern Side)



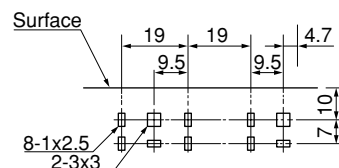
Screw Type Terminals

LTS0610-□□01F



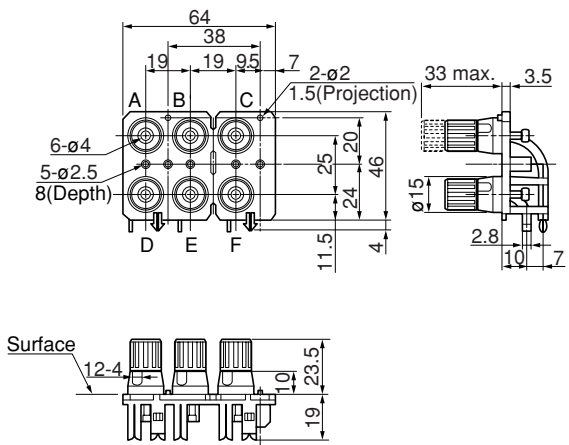
□□	Arrangement					
	A	B	C	D	E	F
10	Black	Black	Black	Red	Red	Red
20	Red	Red	Black	Black	Red	Black
30	Red	Red	Red	Black	Black	Black

P.C. Board Dimension (The Pattern Side)



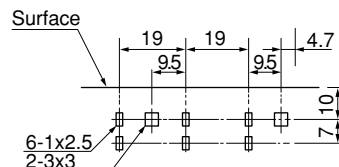
Right Angle (6P)

LTS0610-□□02F



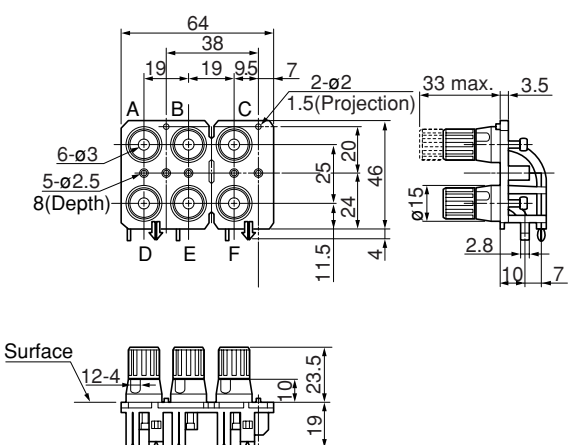
□□	Arrangement					
	A	B	C	D	E	F
10	Black	Black	Black	Red	Red	Red
20	Red	Red	Black	Black	Red	Black
30	Red	Red	Red	Black	Black	Black

P.C. Board Dimension (The Pattern Side)



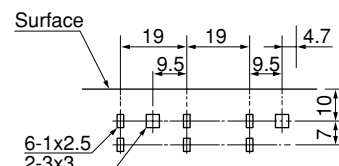
Right Angle (6P)

LTS0620-□□01F



□□	Arrangement					
	A	B	C	D	E	F
10	Black	Black	Black	Red	Red	Red
20	Red	Red	Black	Black	Red	Black
30	Red	Red	Red	Black	Black	Black

P.C. Board Dimension (The Pattern Side)

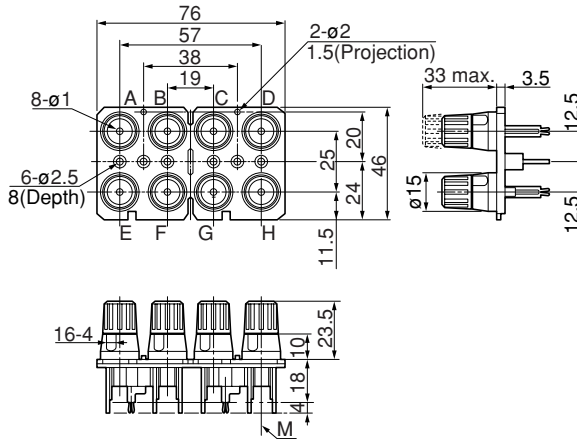


Right Angle (6P)

Screw Type Terminals

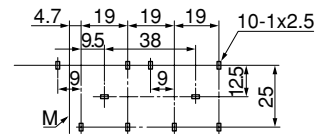


Straight (8P)

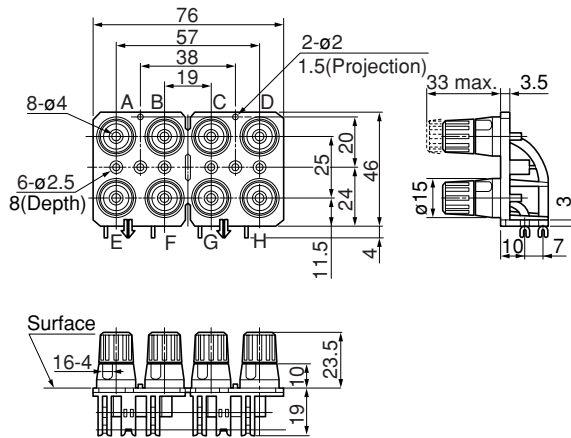


		Arrangement							
		A	B	C	D	E	F	G	H
10	□ □	Red	Black	Black	Red	Red	Black	Black	Red
20	□ □	Red	Black	Red	Black	Red	Black	Red	Black

P.C. Board Dimension (The Pattern Side)

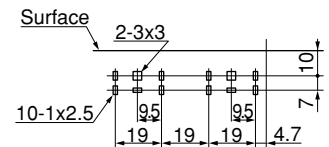


Right Angle (8P)

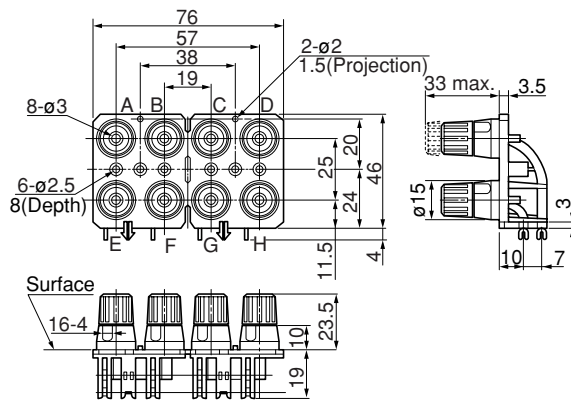


		Arrangement							
		A	B	C	D	E	F	G	H
10	□ □	Red	Black	Black	Red	Red	Black	Black	Red
20	□ □	Red	Black	Red	Black	Red	Black	Red	Black

P.C. Board Dimension (The Pattern Side)



Right Angle (8P)



		Arrangement							
		A	B	C	D	E	F	G	H
10	□ □	Red	Black	Black	Red	Red	Black	Black	Red
20	□ □	Red	Black	Red	Black	Red	Black	Red	Black
30	□ □	Black	Red	Black	Red	Black	Red	Black	Red

P.C. Board Dimension (The Pattern Side)

