

Customer Information Sheet

DRAWING No.: M80-5S2XXXXMQ

IF IN DOUBT - ASK

©

NOT TO SCALE

THIRD ANGLE PROJECTION

ALL DIMENSIONS IN mm

SPECIFICATIONS:

MATERIAL:
 MOULDING = GLASS-FILLED PPS,
 UL94V-0, BLACK
 CONTACTS, STRAIN RELIEF STRAPS = BRASS
 JACKSCREW = STAINLESS STEEL

FINISH:
CONTACTS:
 05 = 0.75µ 100% GOLD
 22 = 0.75µ GOLD ON CONTACT AREA,
 0.3µ90/10 TIN/LEAD ON TAILS
 42 = 0.75µ GOLD ON CONTACTS AREA,
 0.3µ 100% TIN OVER NICKEL ON TAILS
 STRAIN RELIEF STRAPS = 3.5/3.5µ 100% TIN
 OVER NICKEL

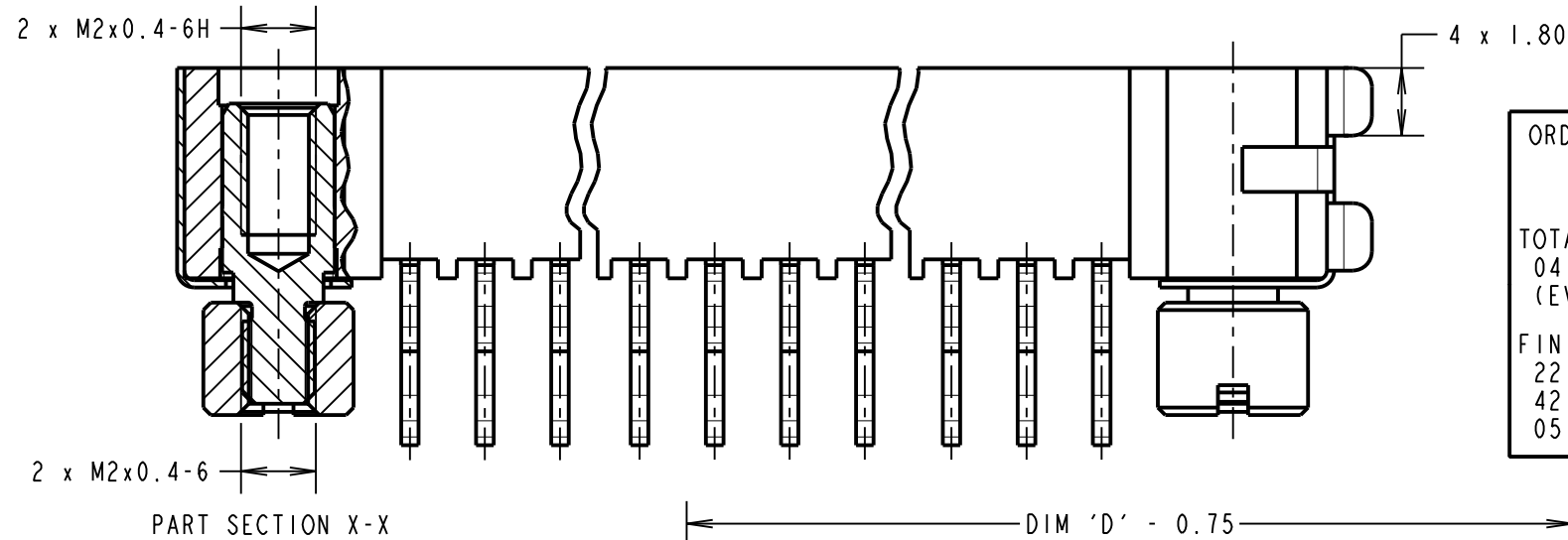
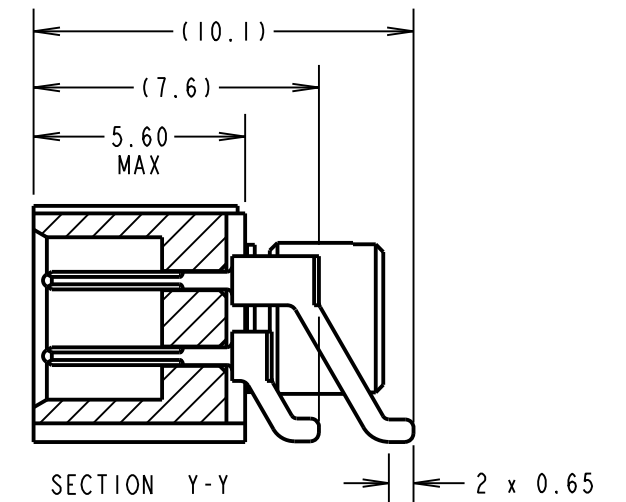
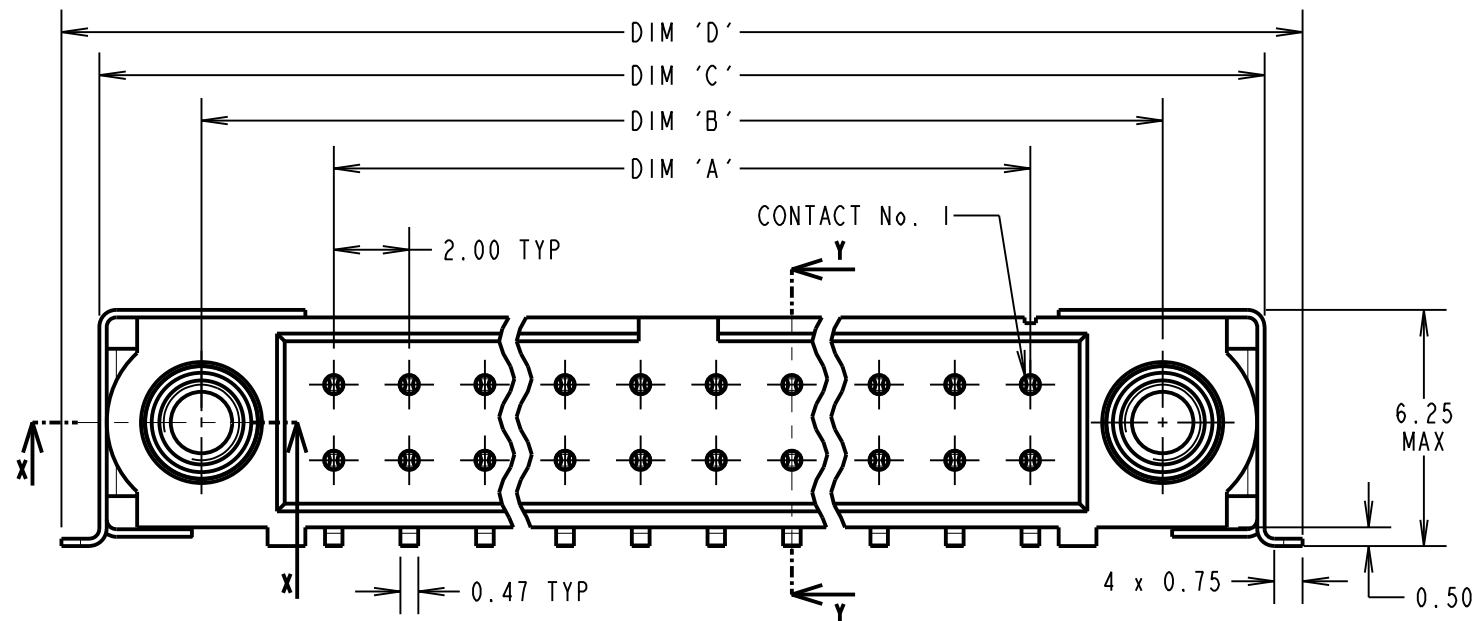
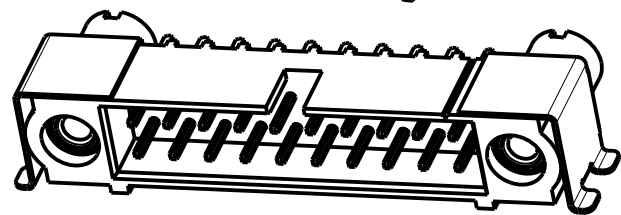
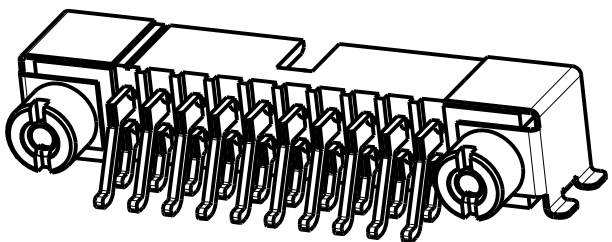
ELECTRICAL:
 CURRENT RATING AT 25°C = 3.0A MAX
 CURRENT RATING AT 85°C = 2.2A MAX
 WORKING VOLTAGE = 120V AC/DC
 VOLTAGE PROOF = 360V AC/DC
 CONTACT RESISTANCE = 25mΩ MAX
 INSULATION RESISTANCE = 100MΩ MIN

MECHANICAL:
 DURABILITY = 500 OPERATIONS

ENVIRONMENTAL:
 TEMPERATURE RANGE = -55°C TO +125°C

PACKING:
 TUBE

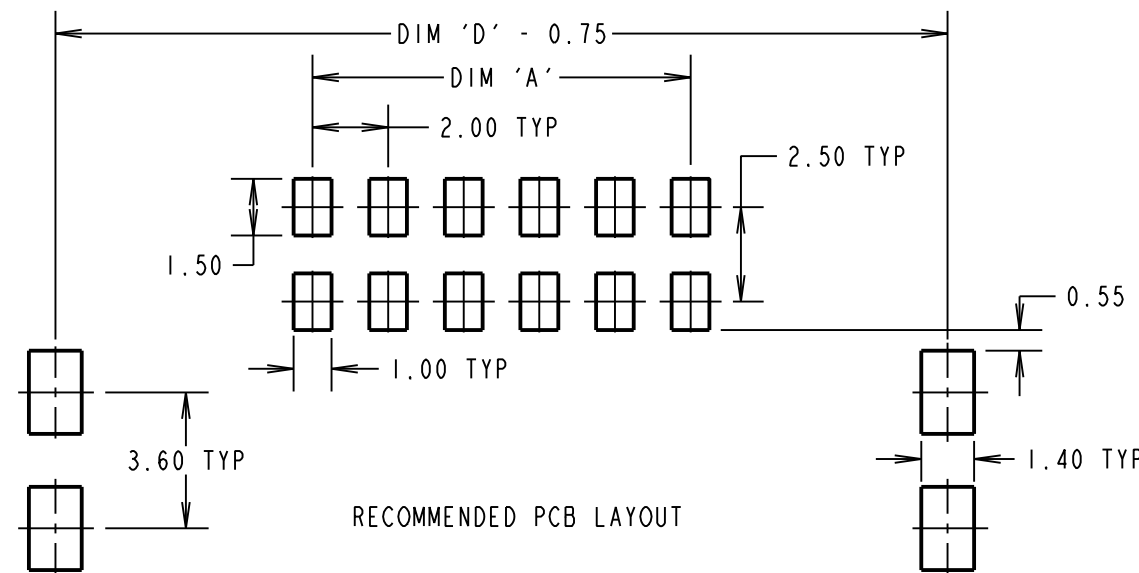
FOR COMPLETE SPECIFICATION, SEE COMPONENT SPECIFICATION C005XX (LATEST ISSUE)



ORDER CODE:
M80-5S2XXXXMQ

TOTAL No. OF CONTACTS _____
 04 TO 50
 (EVEN NUMBERS ONLY)

FINISH CODE _____
 22 - GOLD CONTACT AREA, TIN/LEAD TAIL
 42 - GOLD CONTACT AREA, 100% TIN OVER NICKEL TAIL
 05 - ALL OVER GOLD



DIMENSION	CALCULATION
DIM 'A'	TOTAL No. OF CONTACTS - 2.00
DIM 'B'	TOTAL No. OF CONTACTS + 5.00
DIM 'C'	TOTAL No. OF CONTACTS + 12.00 MAX
DIM 'D'	TOTAL No. OF CONTACTS + 14.00 MAX

EXAMPLE: CONNECTOR WITH 20 CONTACTS, GOLD ON CONTACT AREA AND 100% TIN OVER NICKEL ON TAIL
 M80-5S22042MQ

DIM 'A' = 18.00mm, DIM 'B' = 25.00mm,
 DIM 'C' = 32.00mm MAX, DIM 'D' = 34.00mm MAX

SM	2	17.02.11	11137
NAME	ISS.	DATE	C/NOTE
APPROVED: S. MCCULLAGH			
CHECKED: R. ADDE			
DRAWN: S. MCCULLAGH			
CUSTOMER REF.:			
ASSEMBLY DRG:			

HARWIN			THIS DRAWING AND ANY INFORMATION OR DESCRIPTIVE MATTER SET OUT HEREON ARE CONFIDENTIAL AND COPYRIGHT PROPERTY OF THE HARWIN GROUP AND MUST NOT BE DISCLOSED, LOANED, COPIED OR USED FOR MANUFACTURING, TENDERING OR FOR ANY OTHER PURPOSE WITHOUT THEIR WRITTEN PERMISSION.	TOLERANCES X. = ±1mm X.X = ±0.25mm X.XX = ±0.10mm X.XXX = ±0.01mm ANGLES = ±5° UNLESS STATED	MATERIAL: SEE ABOVE	TITLE: JACKSCREW DATAMATE DIL HORIZONTAL SMT MALE ASSY WITH SMT STRAIN RELIEF STRAPS
HARWIN USA TEL: 603 893 5376 FAX: 603 893 5396 mis@harwin.com	HARWIN Europe (UK) TEL: 023 9231 4545 FAX: 023 9231 4590 mis@harwin.co.uk	HARWIN Asia TEL: +65 6 779 4909 FAX: +65 6 779 3868 mis@harwin.com.sg		FINISH: SEE ABOVE	DRAWING NUMBER: M80-5S2XXXXMQ	SHT 2 OF 2