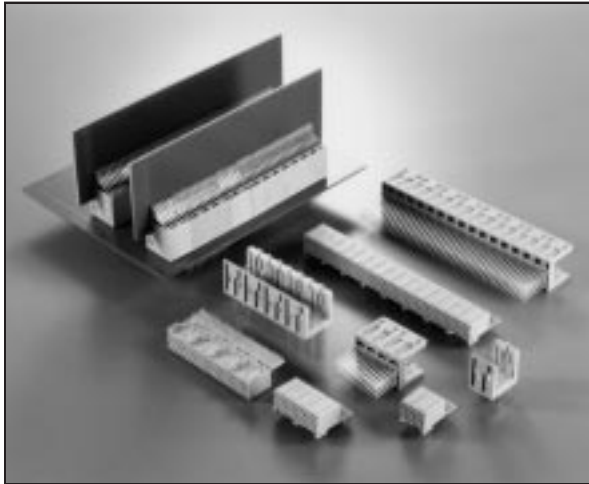


# MJ01 SERIES CONNECTORS

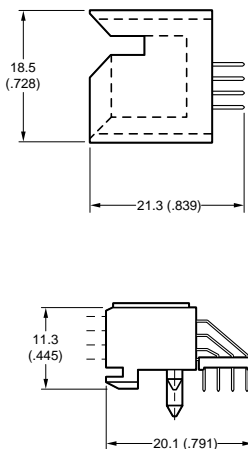
## 2.0mm (.079") Contact Spacing, PCB-to-PCB Connectors



### FEATURES

- 4 row, 2.0mm (.079") grid arrangement high density connector
- 24, 48, 96 and 192 contacts combinations permit easy design of signal circuit modules
- Wide body type housing with backplane pin connector for added strength
- Press-fit board mounting of pin connector leads
- Pin connectors for other connection sequences are available (please contact JAE.)

Connector Profile (Ref.)



The MJ01 Series was designed in accordance with future bus specifications for high density metric applications for all industrial products, including switching and transmission equipment.

### GENERAL SPECIFICATIONS

Number of Contacts	24, 48, 96, 192
Contact Spacing	2.0mm (.079")
Current Rating	1 Amp signal, 2.75 Amps power
Dielectric Withstanding Voltage	1000 VAC r.m.s. (for one minute)
Insulation Resistance	1000 megohms min.
Contact Resistance	10 milliohms max. signal/power 1 milliohms max. compliant
Operating Temperature	-55°C to +125°C

### MATERIALS AND FINISHES

#### • Pin

Description	Materials/Finishes
Insulator	Glass-filled LCP (UL94V-0, natural color)
Contact	Copper Alloy Contact: More than 0.1µm (.000004") Gold Plating over Nickel

#### • Socket

Insulator	Glass-filled LCP (UL94V-0, natural color)
Contact	Copper Alloy Plating: See Ordering Information below
Locator	Glass-filled LCP (UL94V-0, natural color)

### ORDERING INFORMATION

	MJ01	-	***	**	*	*	-	*	***
Series	_____								
No. of Contacts	_____								
	24, 48, 96, 192								
Mounting Type	_____								
	RP – Right Angle, SW – Straight								
Contact Type	_____								
	F – Socket, M – Pin								
Termination	_____								
	P – compliant Pin, T – Through Hole								
Contact Finish	_____								
	1 – Connecting Area: Gold 0.1µm (.00004") over Nickel Terminal Area: Socket – Tin over Nickel Pin – Gold flash over Nickel								
	9 – Connecting Area: Gold flash over 0.64µm (.025µin.) Palladium Nickel over Nickel Terminal Area: Socket – Tin over Nickel Pin – Gold flash over Nickel								
Terminal Length Code (see Table 1 and 2)	_____								

Dimensions and specifications subject to change without notice.

# MJ01 SERIES CONNECTORS

## 2.0mm (.079") Contact Spacing, PCB-to-PCB Connectors

TABLE 1 (Contact Terminal Length Code: Pin)

Contact LengthCode	Row	Dimensions A	Dimensions B	Contact LengthCode	Row	Dimensions A	Dimensions B	Contact LengthCode	Row	Dimensions A	Dimensions B
*10	D	5.00 (.197)	4.30 (.169)	*20	D	5.00 (.197)	13.60 (.535)	*30	D	5.00 (.197)	17.00 (.669)
	C	5.75 (.226)	4.30 (.169)		C	5.75 (.226)	13.60 (.535)		C	5.75 (.226)	17.00 (.669)
	B	5.75 (.226)	4.30 (.169)		B	5.75 (.226)	13.60 (.535)		B	5.75 (.226)	17.00 (.669)
	A	6.50 (.256)	4.30 (.169)		A	6.50 (.256)	13.60 (.535)		A	6.50 (.256)	17.00 (.669)
*11	D	5.00 (.197)	4.30 (.169)	*21	D	5.00 (.197)	13.60 (.535)	*31	D	5.00 (.197)	17.00 (.669)
	C	5.00 (.197)	4.30 (.169)		C	5.00 (.197)	13.60 (.535)		C	5.00 (.197)	17.00 (.669)
	B	5.00 (.197)	4.30 (.169)		B	5.00 (.197)	13.60 (.535)		B	5.00 (.197)	17.00 (.669)
	A	5.00 (.197)	4.30 (.169)		A	5.00 (.197)	13.60 (.535)		A	5.00 (.197)	17.00 (.669)
*12	D	5.00 (.197)	4.30 (.169)	*22	D	5.00 (.197)	13.60 (.535)	*32	D	5.00 (.197)	17.00 (.669)
	C	5.00 (.197)	4.30 (.169)		C	5.00 (.197)	13.60 (.535)		C	5.00 (.197)	17.00 (.669)
	B	5.00 (.197)	4.30 (.169)		B	5.00 (.197)	13.60 (.535)		B	5.00 (.197)	17.00 (.669)
	A	6.50 (.256)	4.30 (.169)		A	6.50 (.256)	13.60 (.535)		A	6.50 (.256)	17.00 (.669)
*13	D	6.50 (.256)	4.30 (.169)	*23	D	6.50 (.256)	13.60 (.535)	*33	D	6.50 (.256)	17.00 (.669)
	C	5.75 (.226)	4.30 (.169)		C	5.75 (.226)	13.60 (.535)		C	5.75 (.226)	17.00 (.669)
	B	5.75 (.226)	4.30 (.169)		B	5.75 (.226)	13.60 (.535)		B	5.75 (.226)	17.00 (.669)
	A	6.50 (.256)	4.30 (.169)		A	6.50 (.256)	13.60 (.535)		A	6.50 (.256)	17.00 (.669)
*14	D	7.25 (.285)	4.30 (.169)	*24	D	7.25 (.285)	13.60 (.535)	*34	D	7.25 (.285)	17.00 (.669)
	C	6.50 (.256)	4.30 (.169)		C	6.50 (.256)	13.60 (.535)		C	6.50 (.256)	17.00 (.669)
	B	6.50 (.256)	4.30 (.169)		B	6.50 (.256)	13.60 (.535)		B	6.50 (.256)	17.00 (.669)
	A	7.25 (.285)	4.30 (.169)		A	7.25 (.285)	13.60 (.535)		A	7.25 (.285)	17.00 (.669)
*15	D	6.50 (.256)	4.30 (.169)	*25	D	6.50 (.256)	13.60 (.535)	*35	D	6.50 (.256)	17.00 (.669)
	C	6.50 (.256)	4.30 (.169)		C	6.50 (.256)	13.60 (.535)		C	6.50 (.256)	17.00 (.669)
	B	6.50 (.256)	4.30 (.169)		B	6.50 (.256)	13.60 (.535)		B	6.50 (.256)	17.00 (.669)
	A	6.50 (.256)	4.30 (.169)		A	6.50 (.256)	13.60 (.535)		A	6.50 (.256)	17.00 (.669)
*16	D	5.75 (.226)	4.30 (.169)	*26	D	5.75 (.226)	13.60 (.535)	*36	D	5.75 (.226)	17.00 (.669)
	C	5.75 (.226)	4.30 (.169)		C	5.75 (.226)	13.60 (.535)		C	5.75 (.226)	17.00 (.669)
	B	5.75 (.226)	4.30 (.169)		B	5.75 (.226)	13.60 (.535)		B	5.75 (.226)	17.00 (.669)
	A	5.75 (.226)	4.30 (.169)		A	5.75 (.226)	13.60 (.535)		A	5.75 (.226)	17.00 (.669)
*17	D	6.50 (.256)	4.30 (.169)	*27	D	6.50 (.256)	13.60 (.535)	*37	D	6.50 (.256)	17.00 (.669)
	C	5.75 (.226)	4.30 (.169)		C	5.75 (.226)	13.60 (.535)		C	5.75 (.226)	17.00 (.669)
	B	5.75 (.226)	4.30 (.169)		B	5.75 (.226)	13.60 (.535)		B	5.75 (.226)	17.00 (.669)
	A	5.00 (.197)	4.30 (.169)		A	5.00 (.197)	13.60 (.535)		A	5.00 (.197)	17.00 (.669)
*18	D	6.50 (.256)	4.30 (.169)	*28	D	6.50 (.256)	13.60 (.535)	*38	D	6.50 (.256)	17.00 (.669)
	C	5.00 (.197)	4.30 (.169)		C	5.00 (.197)	13.60 (.535)		C	5.00 (.197)	17.00 (.669)
	B	5.00 (.197)	4.30 (.169)		B	5.00 (.197)	13.60 (.535)		B	5.00 (.197)	17.00 (.669)
	A	5.00 (.197)	4.30 (.169)		A	5.00 (.197)	13.60 (.535)		A	5.00 (.197)	17.00 (.669)
*19	D	7.25 (.285)	4.30 (.169)	*29	D	7.25 (.285)	13.60 (.535)	*39	D	7.25 (.285)	17.00 (.669)
	C	7.25 (.285)	4.30 (.169)		C	7.25 (.285)	13.60 (.535)		C	7.25 (.285)	17.00 (.669)
	B	7.25 (.285)	4.30 (.169)		B	7.25 (.285)	13.60 (.535)		B	7.25 (.285)	17.00 (.669)
	A	7.25 (.285)	4.30 (.169)		A	7.25 (.285)	13.60 (.535)		A	7.25 (.285)	17.00 (.669)

TABLE 2 (Contact Terminal Length Code: Socket)

Terminal Length Code	Dimensions (±0.3 [.012])	Applicable PCB Thickness
01	2.73 (.107)	t1.6 (.063)
11	3.53 (.139)	t2.4 (.094)

Dimensions in mm (inches).

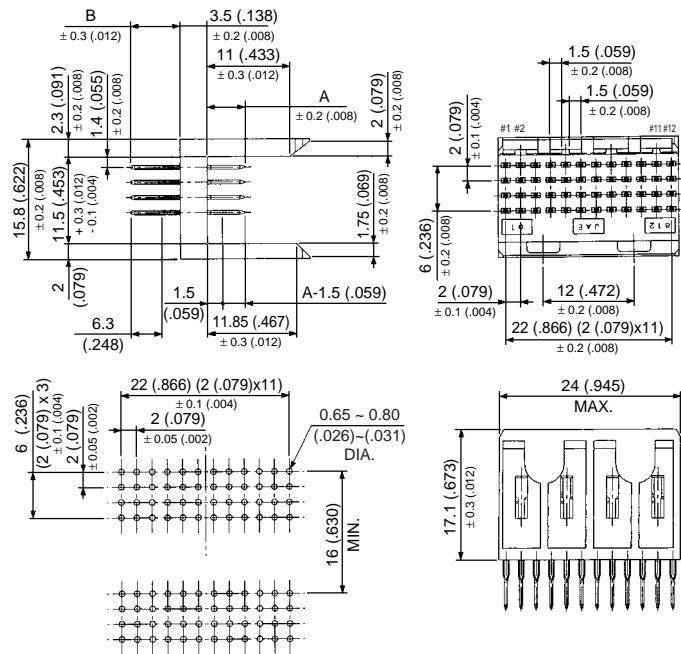




# MJ01 SERIES CONNECTORS

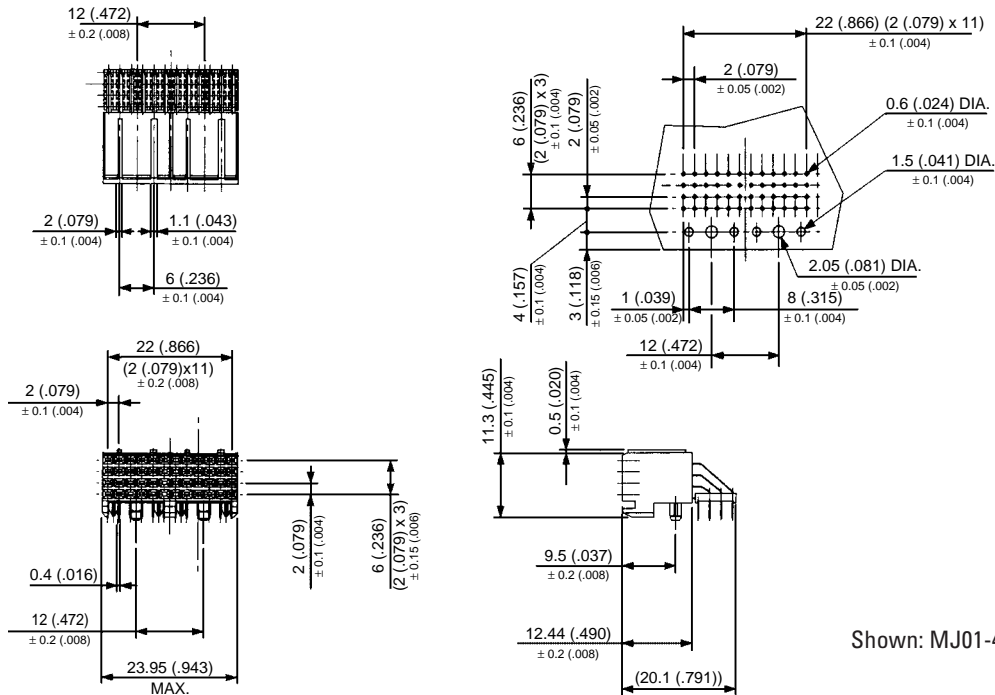
## 2.0mm (.079") Contact Spacing, PCB-to-PCB Connectors

PIN: MJ01-48SWMP-\*\*\* (Insert Contact Length Code, Refer to Table 1)



Shown: MJ01-48SWMP-121

SOCKET: MJ01-48RPFT-\*\*\* (Insert Terminal Length Code, Refer to Table 2)



Shown: MJ01-48RPFT-111

Dimensions in mm (inches).

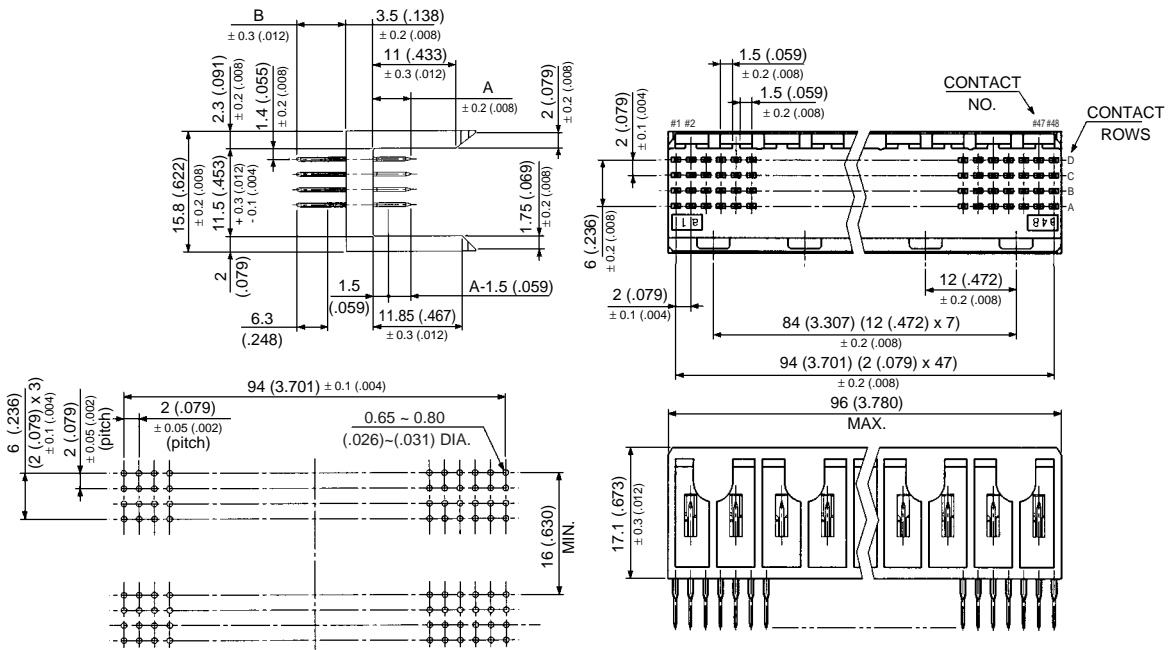




# MJ01 SERIES CONNECTORS

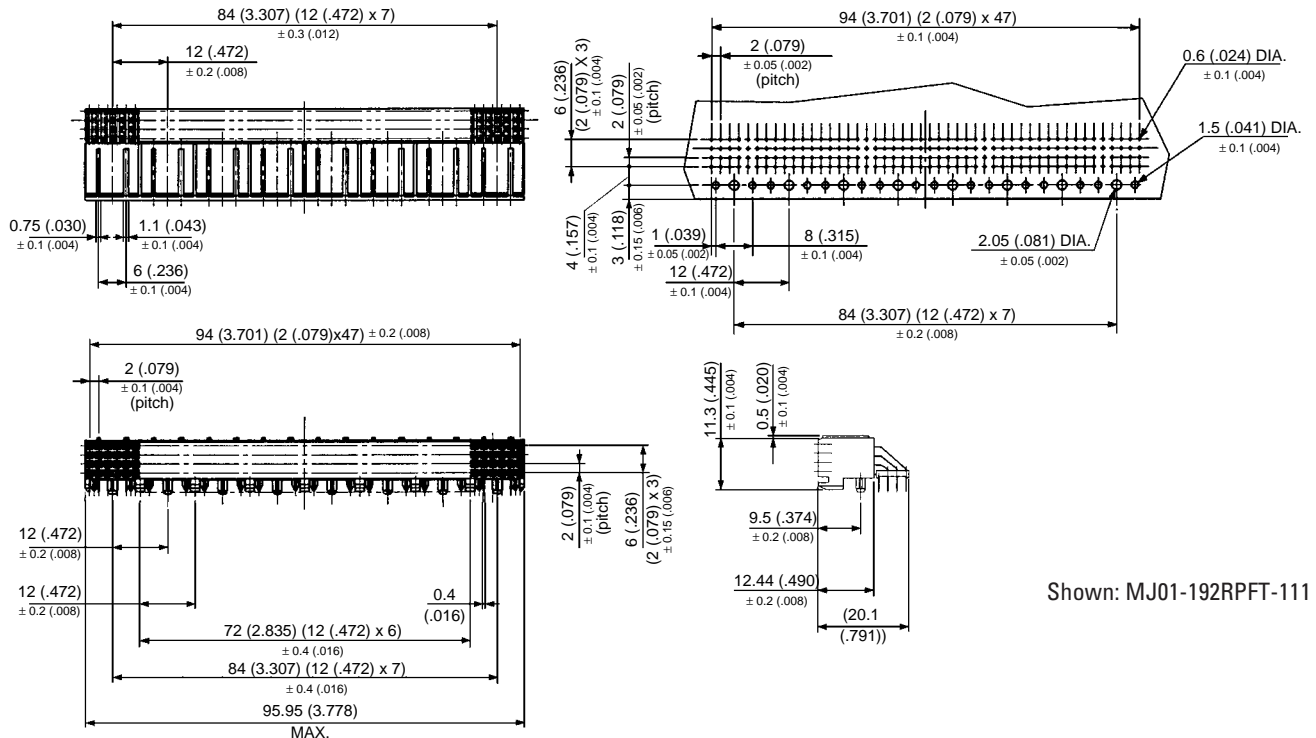
## 2.0mm (.079") Contact Spacing, PCB-to-PCB Connectors

PIN: MJ01-192SWMP-\*\*\* (Insert Contact Length Code, Refer to Table 1)



Shown: MJ01-192SWMP-121

SOCKET: MJ01-192RPFT-\*\*\* (Insert Terminal Length Code, Refer to Table 2)



Shown: MJ01-192RPFT-111

Dimensions in mm (inches).

