

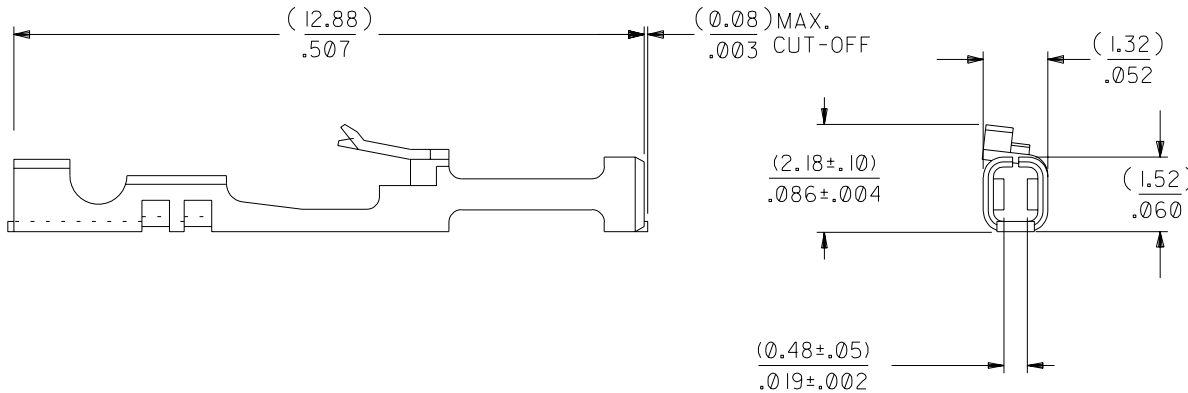
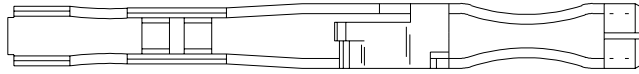
**NOTES:**

1. TERMINAL TO BE USED IN HOUSINGS 70066-\*\*\*\* AND 70450-\*\*\*\*
2. REFER TO PRODUCT SPECIFICATION PS-71851
3. REFER TO MOLEX OPERATIONS AND SERVICE MANUAL FOR CRIMP DETAILS
4. TERMINAL TO BE USED WITH (0.64)/.025 SQUARE PINS
5. TERMINAL TO BE USED WITH 32-36 AWG STRANDED WIRE WITH (0.64)/.025 MAX. DIA. INSULATION
6. TERMINALS SUPPLIED IN REEL FORM

**PLATING:**

.000030 MINIMUM GOLD PLATE IN SELECT AREA WITH .000075 MINIMUM TIN PLATE IN SELECT AREA OVER NICKEL PLATE OVERALL

\*THE PRIMARY SHIPPING CARTON WILL BE LABELED "COMPLIANT TO RoHS DIRECTIVE 2002/95/EC AND ELV ANNEX II OF DIRECTIVE 2000/53/EC". CARTONS WITHOUT THIS LABEL MAY CONTAIN PRODUCT WITH LEAD.



				B		REVISIONS		REVISIONS		DIMENSIONS SHOWN (METRIC) INCH		▽ = 0 ▼ = 0		REVISE ONLY ON CAD SYSTEM	
		C		A		BI		LTR.		UNLESS OTHERWISE SPECIFIED TOLERANCES: ANGULAR ± 1/2°		TITLE		TERMINAL-BOX/CRIMP HIGH FORCE CONTACT	
		LEAD FREE UCP2004-1769 RWWHITE 04/03/24		FINAL RELEASE PER ERO #26846 7/14/88 MJM		REVISED ECR #U80270 MCGRATH 97/07/31		LTR.		3 PLACE ± .010 ---		MOLEX INCORPORATED LITTLE, ILL. 60532 U.S.A.		SHEET NO. 1 DATE 03/25/88	
				3		REVISIONS		REVISIONS		2 PLACE ± .014 ± 0.25		PART NO. 016-02-1122		DRWG. NO. SD-71851-0017	
										1 PLACE --- ± 0.35		FILE NAME S71851X45		THIS DRAWING CONTAINS INFORMATION THAT IS PROPRIETARY TO MOLEX INC. AND SHOULD NOT BE USED WITHOUT WRITTEN PERMISSION.	
										DRAFT WHERE APPLICABLE MUST REMAIN WITHIN DIMENSIONS		DIV. DA		SIZE B	
										DRWG. BY MJM CHK'D. BY MJM					
										APP'D. BY WAZ SCALE 10:1					