

[Molex.com](#)

English  
日本語  
한국어  
简体中文

[Register](#) | [Login](#)  
[My Parts \( 0 items \)](#)

Search site: Search:  [Go](#)

- Product Name**
- Cross-Ref**
- Catalog**
- Literature**
- Industries**
- Standards**
- Contact Us**
- About Us**
- Investors**
- Careers**

- [Connectors](#)
- [Sockets](#)
- [I/O Connectors](#)
- [Cable Assemblies](#)
- [Fiber Optics](#)
- [Printed Circuit Products](#)
- [Industrial Products](#)
- [Lighting Products](#)

**Switch Language**

English

- [Home](#)
- [RF/Coax Connectors](#)
- [Datasheet](#)

**Need Assistance?**

- [Contact Us](#)
- [Find a Distributor](#)
- [Order Samples](#)
- [Tech Library](#)
- [Ecocare](#)
- [Electrical Models](#)

[Printer-friendly page](#)

[Email this page](#)

**Part Number:**

**0734152361**

**Status:**

**Active - Custom**

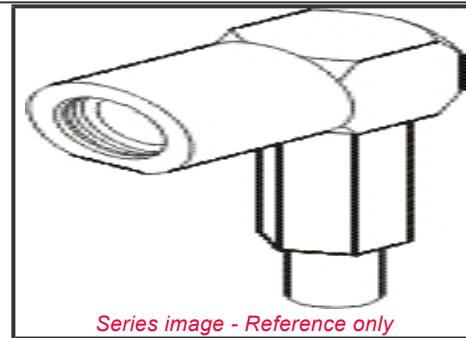
**Description:**

MMCX Right Angle Jack, Crimp, RG178

**Documents:** *Note - Please disable browser pop-up blockers for documents on www.molex.com*

[Drawing \(PDF\)](#)

[Datasheet \(PDF\)](#)



**EU RoHS**  
RoHS Compliant RF Product

**REACH SVHC**  
Not Reviewed

**Halogen-Free Status**  
Not Reviewed



**Need more information on product environmental compliance?**

Email [productcompliance@molex.com](mailto:productcompliance@molex.com)

For a multiple part number RoHS Certificate of Compliance, [click here](#)

Please visit the [Contact Us](#) section for any non-product compliance questions.

**Search Parts in this Series**

[73415Series](#)

[RoHS Certificate of Compliance \(PDF\)](#)

**Order Products:**

**Part Detail:** [\(show all\)](#)

[General](#)[Physical](#)[Electrical](#)[Material Info](#)[Reference - Drawing Numbers](#)

**General**

Product Family	RF/Coax Connectors
Series	<a href="#">73415</a>
More Detailed Tech Information	<a href="mailto:rf@molex.com">rf@molex.com</a>
Product Name	MMCX
Style	Cable
Wire/Cable Type	RG-178, RG-196

**Physical**

Cable Attachment	Crimp
Gender	Female
Keying to Mating Part	N/A
Orientation	Right Angle
PCB Mounting	N/A
Packaging Type	Bag
Panel Mount	No
Panel Mount Method	N/A
Reverse Polar	No
Shield Type	Single Shield

**Electrical**(Please review the Product Specification for specific details.)

Impedance	50 ohms
-----------	---------

**Material Info****Reference - Drawing Numbers**

Sales Drawing	SD-73415-236
---------------	--------------