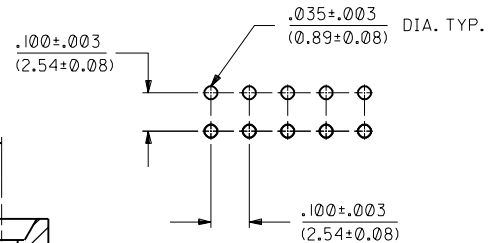
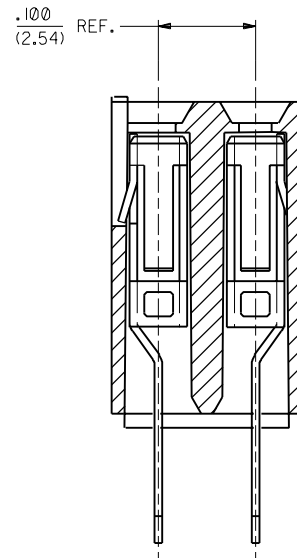
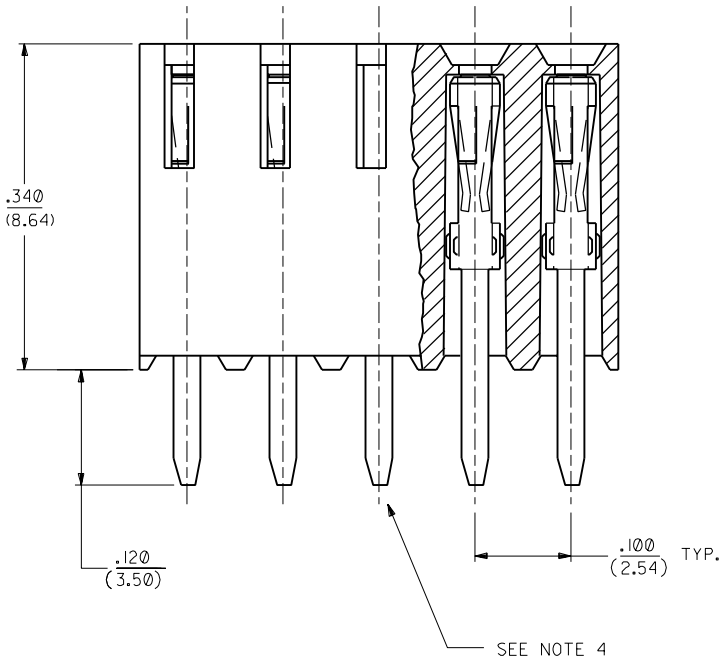
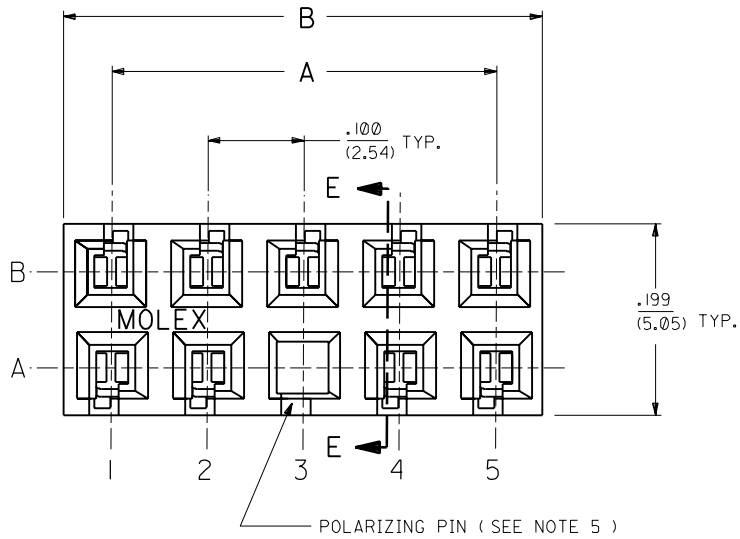


NOTES:

- 1 - HOUSING MATERIAL: GLASS FILLED POLYESTER, UL 94V-0.
COLOR: BLACK
- 2 - TERMINAL MATERIAL: PHOSPHOR BRONZE
- 3 - SEE SHEET 2 FOR CKT. SIZES AND VOID LOCATIONS.
- 4 - TERMINALS FROM VOID LOCATIONS MUST BE REMOVED (VOID A3 AS SHOWN).
- 5 - POLARIZING PIN 40713 MUST BE INSERTED INTO VOID LOCATIONS (PIN A-3 SHOWN).
- 6 - REFER TO PRODUCT SPECIFICATION P.S.-70181.
- 7 - PACKAGING INFORMATION: (UNLESS OTHERWISE NOTED IN TABLES) PACKAGED PER PK-70873-0660.

PLATING CODES

- (571) SELECTIVE GOLD (Au) IN THE CONTACT AREA; THICKNESS=(0.37 MICROMETER)/15 MICROINCH MINIMUM; SELECTIVE TIN-LEAD (Sn-Pb) ALLOY IN THE PC TAIL AREA; THICKNESS=(1.88 MICROMETER)/75 MICROINCH MINIMUM; NICKEL (Ni) UNDERPLATE OVER ENTIRE PIN.
- (574) SELECTIVE GOLD (Au) IN THE CONTACT AREA; THICKNESS=(0.75 MICROMETER)/30 MICROINCH MINIMUM; SELECTIVE TIN-LEAD (Sn-Pb) ALLOY IN THE PC TAIL AREA; THICKNESS=(1.88 MICROMETER)/75 MICROINCH MINIMUM; NICKEL (Ni) UNDERPLATE OVER ENTIRE PIN.



RECOMMENDED P.C. BOARD HOLE LAYOUT
SCALE = 4:1

C	CHANGE PACK SPEC ECN# UDT2000-0503 DMORGAN 99/12/10
B2	ADDED PACKAGING PER ECN U80707 BARKER 97/08/11
B1	REVISED PLATING PER ECR # U60013 95/07/07 CAC
2	B2
1	C
B	RELEASE TO CAD PER ECR U0 0967 PM 01/27/92

SECTION E-E

DIMENSIONS SHOWN (METRIC) INCH		▽ = 0 ▽ = 0		REVISE ONLY ON CAD SYSTEM	
UNLESS OTHERWISE SPECIFIED TOLERANCES ANGULAR ± 1/2°					
5 PLACE ± .010 ---		INCH		METRIC	
2 PLACE ± .014 ± 0.25		---		---	
1 PLACE --- ± 0.35		---		---	
DRAFT WHERE APPLICABLE MUST REMAIN WITHIN DIMENSIONS					
DRWG. NO. S70823X1	FILE NAME S70823X1	DRWG. NO. SDA-70823-0000	SHEET NO. 1 OF 2	DATE 01/27/92	U.S.A.
DRWG. BY PM	CHK'D BY PM	SEE CHART			
APP'D. BY DJB	SCALE 10:1	THIS DRAWING CONTAINS INFORMATION THAT IS PROPRIETARY TO MOLEX INC. AND SHOULD NOT BE USED WITHOUT WRITTEN PERMISSION.			

