

**MATERIAL AND FINISH:**

Insulator: Polycarbonate,  
UL-94V-0 rated  
Contacts: Copper, Tin plated

**ELECTRICAL SPECIFICATIONS:**

Current rating: 10 A  
Voltage rating: 250 VAC  
Insulation resistance: 100 Mohm  
min. at 500 VDC  
Dielectric withstanding voltage:  
2000 VAC for one minute

**RoHS  
COMPLIANT**

**ORDERING CODE:**

42R37-                   
          1 2 3 4

1) SNAP-IN MOUNT  
3 = WITHOUT LAMP  
8 = WITH NEON LAMP

2) COLOR  
1 = BLACK  
2 = GRAY

3) ELECTRICAL CIRCUIT  
CONFIGURATION

1 = 10A 250V 70°C  
2+GROUND, 1 FUSE  
1 POLE SWITCH



3 = 10A 250V 70°C  
2+GROUND, 1 FUSE  
2 POLE SWITCH



4 = 10A 250V 70°C  
2+GROUND, 2 FUSE  
2 POLE SWITCH



7 = 10A 250V 120°C  
2+GROUND, 1 FUSE  
2 POLE SWITCH



8 = 10A 250V 120°C  
2+GROUND, 2 FUSE  
2 POLE SWITCH



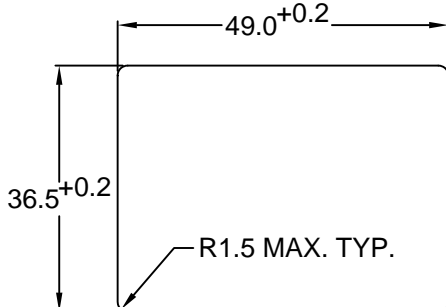
11 = 10A 250V 70°C  
2 POLE, 1 FUSE  
2 POLE SWITCH



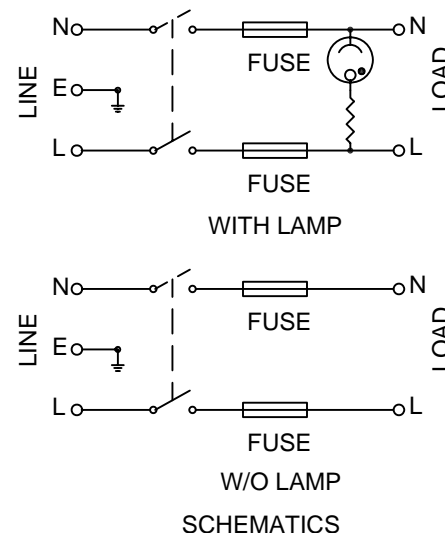
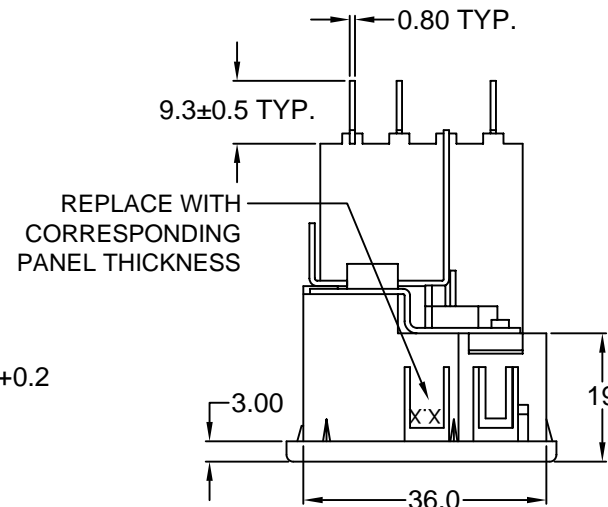
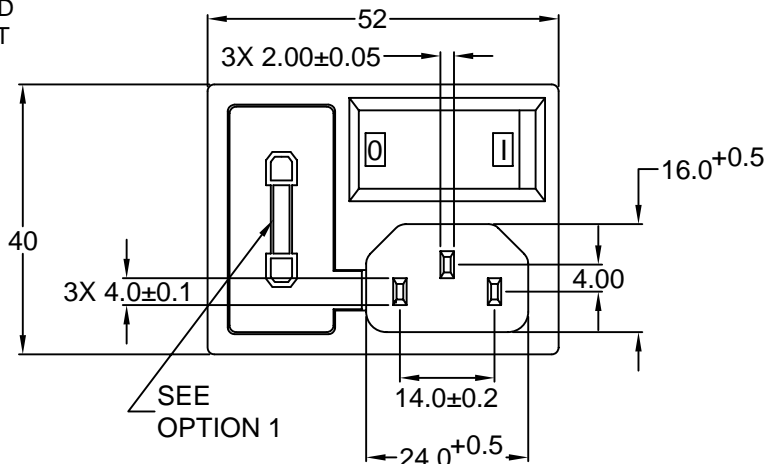
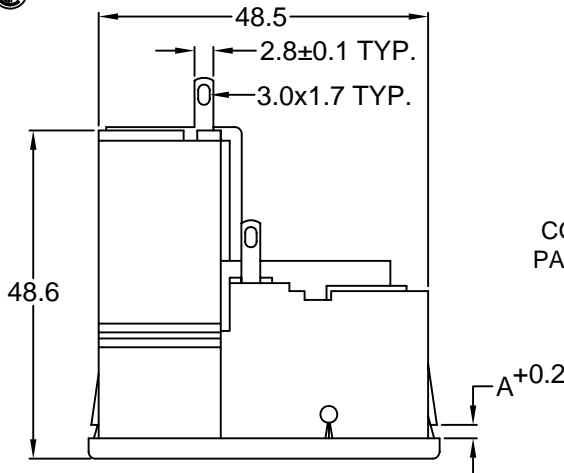
12 = 10A 250V 70°C  
2 POLE, 2 FUSE  
2 POLE SWITCH



4) PANEL THICKNESS



**RECOMMENDED  
PANEL CUTOUT**



**SCHEMATICS**

REV	DATE	CHANGE	CHNG	CHECK	APPR

P/N	A	MAX. PANEL THICKNESS
42R37-XX2X-150	1.5	1.5
42R37-XX2X-200	2.0	2.0

ADDITIONAL PANEL THICKNESS AND ONE  
POLE SWITCH AVAILABLE ON REQUEST

TOLERANCE UNLESS OTHERWISE SPECIFIED	
X	± 1
X.X	± 0.4
X.XX	± 0.20
DRAWN BY	GQ
DATE:	09/21/01
CHECK BY	TD
DATE:	09/26/01
APPR BY	PB
DATE:	09/26/01

**Power Dynamics, Inc.**

Phone: 973 560-0019 Whippany, New Jersey Fax: 973 560-0076

PART: IEC 60320 FUSE HOLDER AND POWER  
SWITCH APPL. INLET; SOLDER TERMINALS

PART #: <b>42R37-XX2X-XXX</b>		SHEET 1 of 1
SIZE: A	ALL DIMENSIONS FOR REFERENCE ONLY DIMENSIONS ARE IN MILLIMETERS	
SCALE: NTS	REV:	