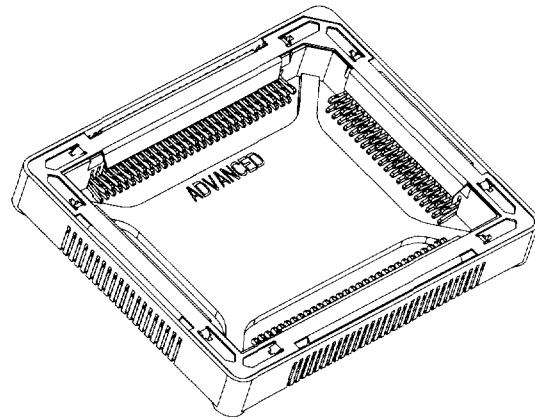


QFP Sockets



Preliminary - Consult Factory



Features:

- Surface mounts to existing PCB QFP footprint.
- Solder joints are visible after surface mounting to PCB.
- Vacuum pick up pad for automated placement.
- Low profile, 4mm above PCB.
- Cover retains device during insertion to align and protect QFP leads.
- Insertion/Extraction tool available.
- High temperature molded plastic for SMT reflow.
- Capable of multiple insertions for device upgrade, reprogramming, field replacement, etc.

Contacts:

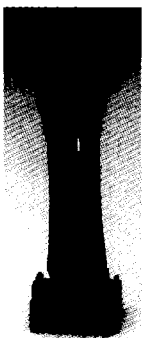
Beryllium Copper - Tin-Lead Plated

Body Material:

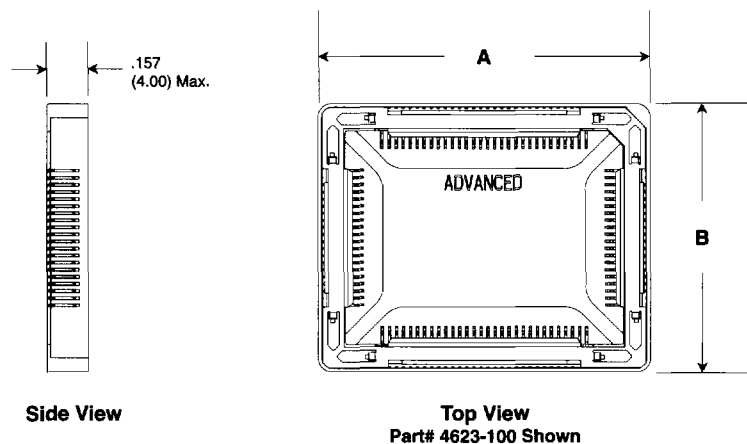
Liquid Crystal Polymer (L.C.P.)
U.L. Rated 94V-O

Latch:

Stainless Steel



QFP Socket
Insertion/Extraction Tool



Part Number	# of Leads	Pitch	A	B	Leads/Side
4218-80	80	.8 mm	1.225 (31.12)	.990 (25.15)	24/16
4623-100	100	.65 mm	1.208 (30.68)	.972 (24.69)	30/20
4623-136	136	.65 mm	1.518 (38.56)	1.518 (38.56)	34
4623-144	144	.65 mm	1.518 (38.56)	1.518 (38.56)	36
4623-160	160	.65 mm	1.518 (38.56)	1.518 (38.56)	40
5044-160	160	.5 mm	*	*	40
5044-208	208	.5 mm	*	*	52

For other QFP sizes consult factory.

* Consult factory