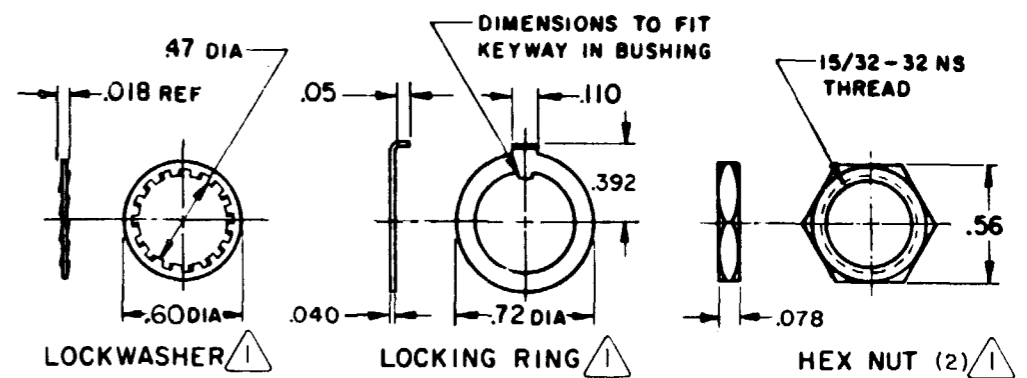
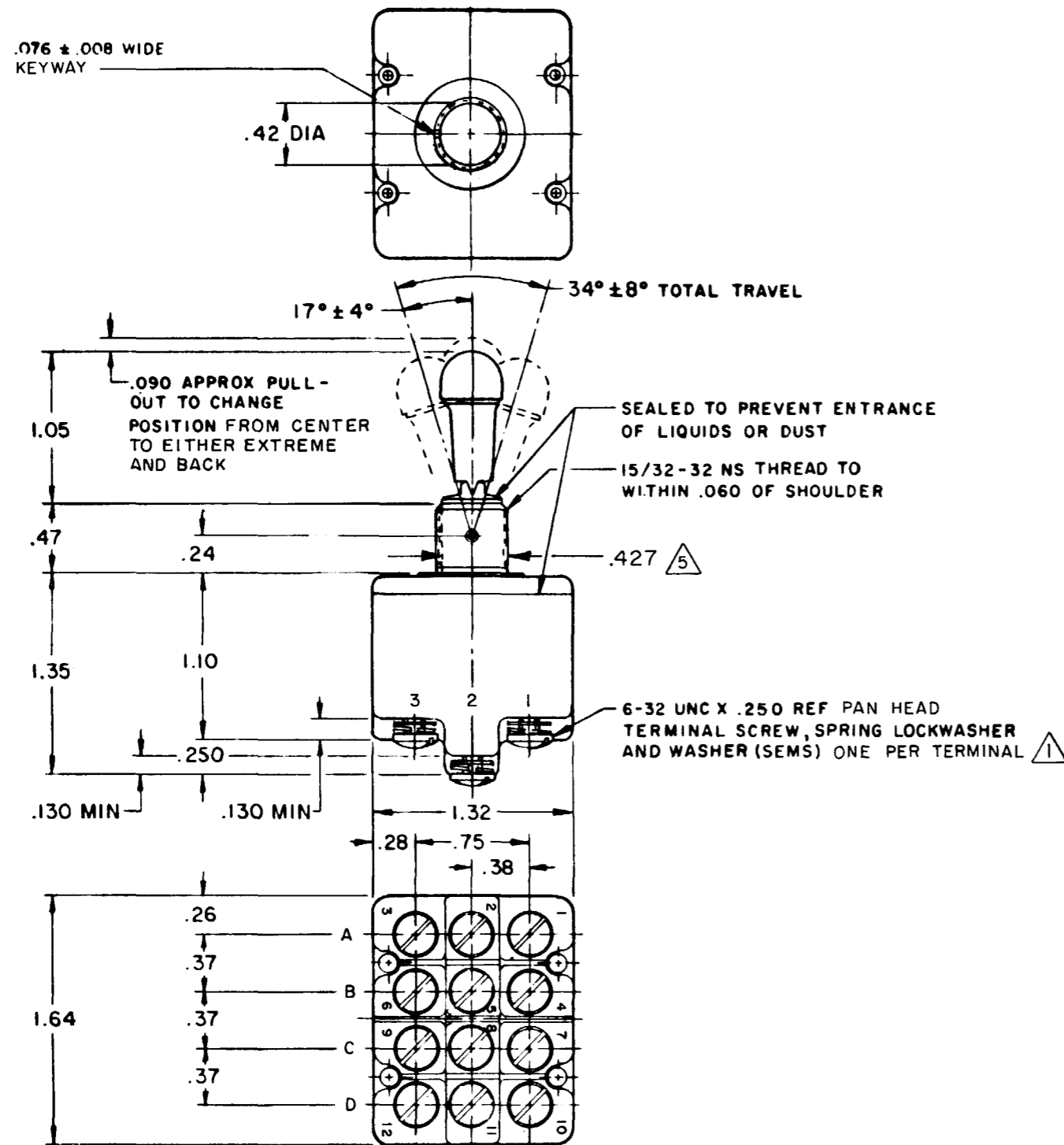
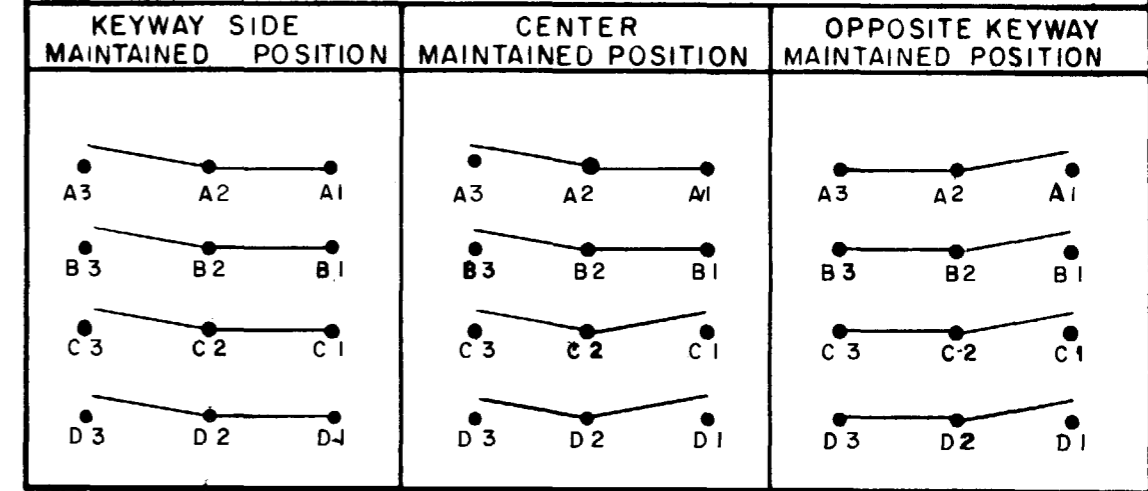


DRAWING NUMBER **4TL11-11A** PAGE 1 OF 1
 ISSUE **M** 10
 REVISIONS
 A CO-81150 J A K 19 JUN 95
 B REINST 200080 J J A 28 FEB 00
 CHECKED **LSH** 1 DEC 69
 CHECKED **SC H**
 CHECKED **LS D** 26 NOV 69
 DRAWN **FORMTEK**



CIRCUIT DIAGRAM



THIS DRAWING COVERS A PROPRIETARY ITEM AND IS THE PROPERTY OF MICRO SWITCH, A DIVISION OF MINNEAPOLIS-HONEYWELL REGULATOR CO. THIS DRAWING IS NOT TO BE COPIED OR USED WITHOUT THE APPROVAL OF MICRO SWITCH.

ELECTRICAL DATA										SCALE FULL	
CURRENT CAPACITY (AMPS)										DO NOT SCALE PRINT	
CONTINUOUS	RESISTIVE LOAD				LAMP LOAD		INDUCTIVE LOAD		UNLESS OTHERWISE NOTED DIMENSIONS ARE IN INCHES TOLERANCES ARE: ONE PLACE (.0) ± .030 TWO PLACE (.00) ± .018 THREE PLACE (.000) ± .008 ANGLES		
	DC VOLTS		AC VOLTS		30 VDC	115 VAC	30 VDC	115 VAC			
	30	115	250	115	230	5	4	12	15	WEIGHT 95 GRAM MAX	

NOTE -
 △ FURNISHED UNASSEMBLED
 2-MICRO SWITCH CATALOG LISTING, TERMINAL, POLE AND CIRCUIT DESIGNATION MARKED ON SIDE OF SWITCH
 3-FOR TERMINAL COVER SEE MICRO SWITCH CAT. LIST. 5PA9
 4-SWITCH IS CAPABLE OF WITHSTANDING A.
 TEMPERATURE OF 160°F CONTINUOUSLY AT FULL RATED LOAD
 △ FROM BOTTOM OF KEYWAY TO MAJOR DIA OF 15/32 THREAD