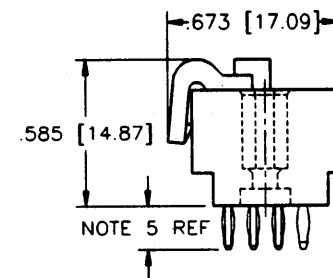
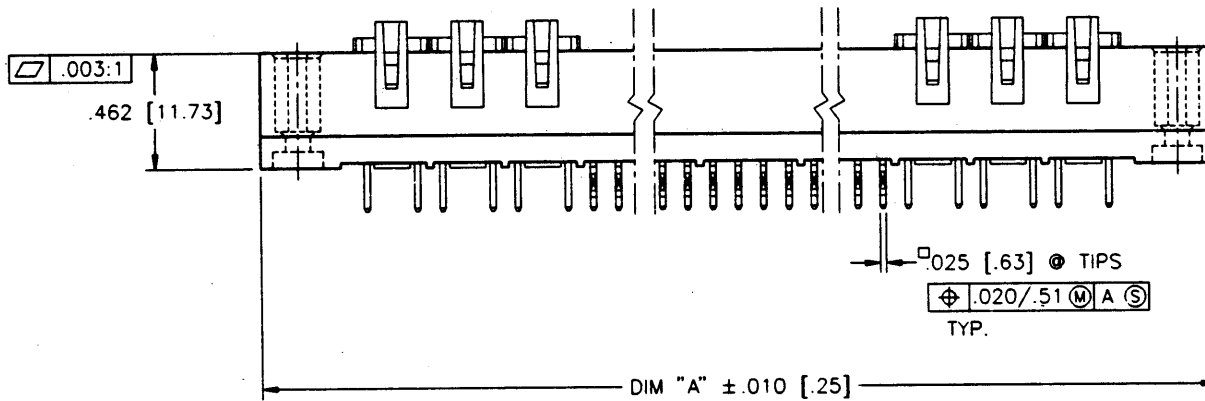
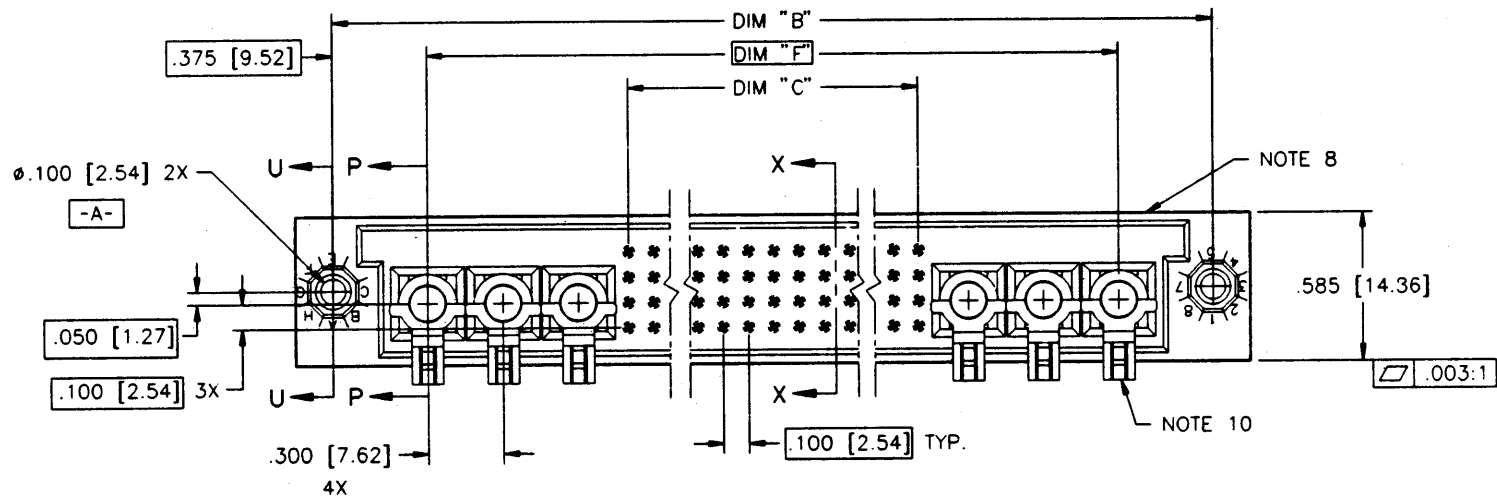


PRODUCT NUMBER
50891-XXXXX



REVISIONS				SHEET INDEX	ISSUE		A	
REV	ECN/DDR#	BY	DATE		SH NO.	1	2	
A	V41734	GIP	12/8/94					
				TOLERANCES UNLESS OTHERWISE SPECIFIED		MAY NOTE 3		
				LINEAR		FINISH		
				0.008 01 / 0.013		PRODUCT FAMILY		
				0.0008 0020 / 0.006 051		HPC		
				ANGLES		APP'X		
				0.2		S. CLARK		

BERG ELECTRONICS

CUSTOMER COPY

DATE: 12/14/94
BY: G. PETERS

DATE: 12/8/94
BY: J. AFTON

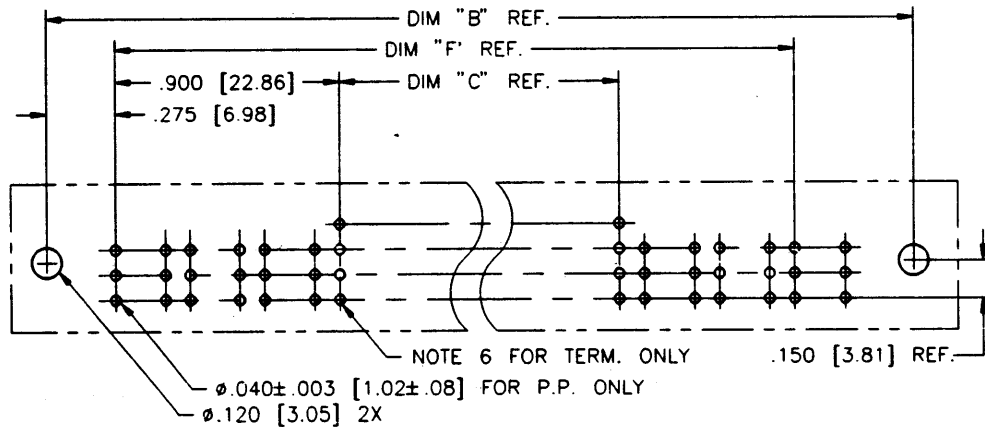
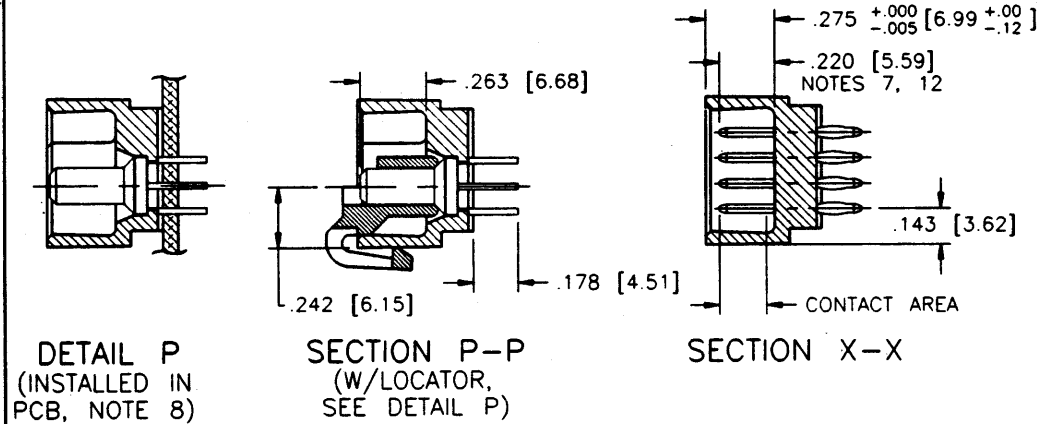
DATE: 12/16/94
BY: J. AFTON

DATE: 12/16/94
BY: S. CLARK

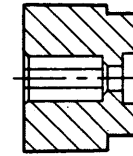
SCALE: 3:1
SIZE: C
TOL. NO.: 50891
SHEET: 1 of 2

ROW, VERT. HDR. ASSY., OG.P.
w/P.F. PINS, 6 P.P. w/S.T.

PRODUCT NUMBER	DIM.	LENGTH FORMULAS
50891-XXXX	DIM "A"	.100/2.54 x NO. OF COLUMNS + 2.55/64.8
	DIM "B"	.100/2.54 x NO. OF COLUMNS + 2.250/57.15
	DIM "C"	.100/2.54 x NO. OF COLUMNS - .100/2.54
	DIM "F"	.100/2.54 x NO. OF COLUMNS + .500/38.10



RECOMMENDED PCB LAYOUT
(ALL HOLES LOCATED ON .100/2.54 GRID UNLESS OTHERWISE SPECIFIED)



SECTION U-U

NOTES:

- PRODUCT NUMBERING CODE:
50891 - X XXX X
TAIL LENGTH(NOTE 5)
NO. OF POSITIONS(NOTE 2)
PLATING(NOTE 4)
BASE NUMBER
- THIS PRODUCT IS CONFIGURED IN SIZES OF 6 thru 80 COLUMNS IN INCREMENTS OF ONE.
i.e.: 6,7,8,9,.....79,80.
- HOUSING MATERIAL: GLASS FILLED PPS.
PIN MATERIAL: PHOS BRONZE
- PLATING CONTACT AREA OPTIONS:
A = 50u" Ni UNDER ALL WITH 30u" Au ON CONTACT AREA, SnPb ON PCB INTERFACE AND Au FLASH ON ALL OTHER AREAS.
C = 50u" Ni UNDER ALL WITH 30u" Au ON CONTACT AREA, SnPb ON PCB INTERFACE, 30u" ON TAIL SIDE CONTACT AREA, AND Au FLASH ON ALL OTHER AREAS.
- TAIL LENGTH OPTIONS:
FOR PLATING OPTION "A":
A = .177/4.5
G = .250/6.35
FOR PLATING OPTION "C":
C = .533/13.54
D = .733/18.62
- 0.0453/1.151 DRILLED HOLE PLATED WITH .0003/.007 MIN. SnPb OVER .001/.03 to .003/.08 Cu. PLATING TO ACHIEVE A 0.040 ± 0.003/1.02 ± 0.08 HOLE.
- TO ASSURE PROPER INSTALLATION: BERG TOOLING, AS SPECIFIED IN INSTRUCTION MANUAL 155915-001 MUST BE USED. PIN MATING LENGTH WILL BE ± 0.02/.05 AFTER INSTALLATION.
- "BERG" NAME, PART NUMBER AND LOT CODE TO APPEAR ON THIS SURFACE PER BUS-12-108.
- FOR DOCUMENTATION MENU, SEE BERG BUS-01-057.
- POWER PIN LOCATOR (REF. 50234) TO BE REMOVED AFTER INSTALLATION.
- MANUFACTURE AS PER BUS-24-004.
- REFERENCE 50804 FOR F.M.L.B. OPTIONS AND WORKSHEET.

REVISIONS				SHEET INDEX	ISSUE A	SH NO. 2	DATE	BY	CHK	ENGR	DATE	CUSTOMER COPY	TITLE	SCALE	SIZE	DWG. NO.	SHEET	
REV	ECN/DDR#	BY	DATE															
A																		
TOLERANCES UNLESS OTHERWISE SPECIFIED										NOTE 3	12/14/94							
LINEAR										0.001 / 0.003	12/8/94							
ANGLES										0.0008 / 0.0015	12/15/94							
										0.0008 / 0.0015	12/16/94							
										0.001								
										0.002								
										0.005								
										0.010								
										0.020								
										0.050								
										0.100								
										0.200								
										0.500								
										1.000								
										2.000								
										5.000								
										0.001								
										0.002								
										0.005								
										0.010								
										0.020								
										0.050								
										0.100								
										0.200								
										0.500								
										1.000								
										2.000								
										5.000								
										0.001								
										0.002								
										0.005								
										0.010								
										0.020								
										0.050								
										0.100								
										0.200								
										0.500								
										1.000								
										2.000								
										5.000								
										0.001								
										0.002								
										0.005								
										0.010								
										0.020								
										0.050								
										0.100								
										0.200								
										0.500								
										1.000								
										2.000								
										5.000								
										0.001								
										0.002								
										0.005								
										0.010								
										0.020								
										0.050								
										0.100								
										0.200								
										0.500								
										1.000								
										2.000								
										5.000								
										0.001								
										0.002								
										0.005								
										0.010								
										0.020								
										0.050								
										0.100								
										0.200								
										0.500								
										1.000								
										2.000								
										5.000								
										0.001								
										0.002								
										0.005								
										0.010								
										0.020								
										0.050								
										0.100								
										0.200								
										0.500								
										1.000								
										2.000								
										5.000								
										0.001								
										0.002								
										0.005								
										0.010								
										0.020								
										0.050								
										0.100								
										0.200								
										0.500								
										1.000								
										2.000								
										5.000								
										0.001								
										0.002								
										0.005								
										0.010								
										0.020								
										0.050								
										0.100								
										0.200								
										0.500								
										1.000								
										2.000								
										5.000								

BERG ELECTRONICS

4 ROW, VERT. HDR. ASSY., OG.P.
w/ P.F. PINS, 6 P.P. w/S.T.

SCALE: 3:1 C

UNIT: INCH

50891

2 of 2