

Tous droits strictement réservés. Reproduction ou communication à des tiers sans autorisation écrite du propriétaire. Droits de reproduction FCI ELECTRONICS by

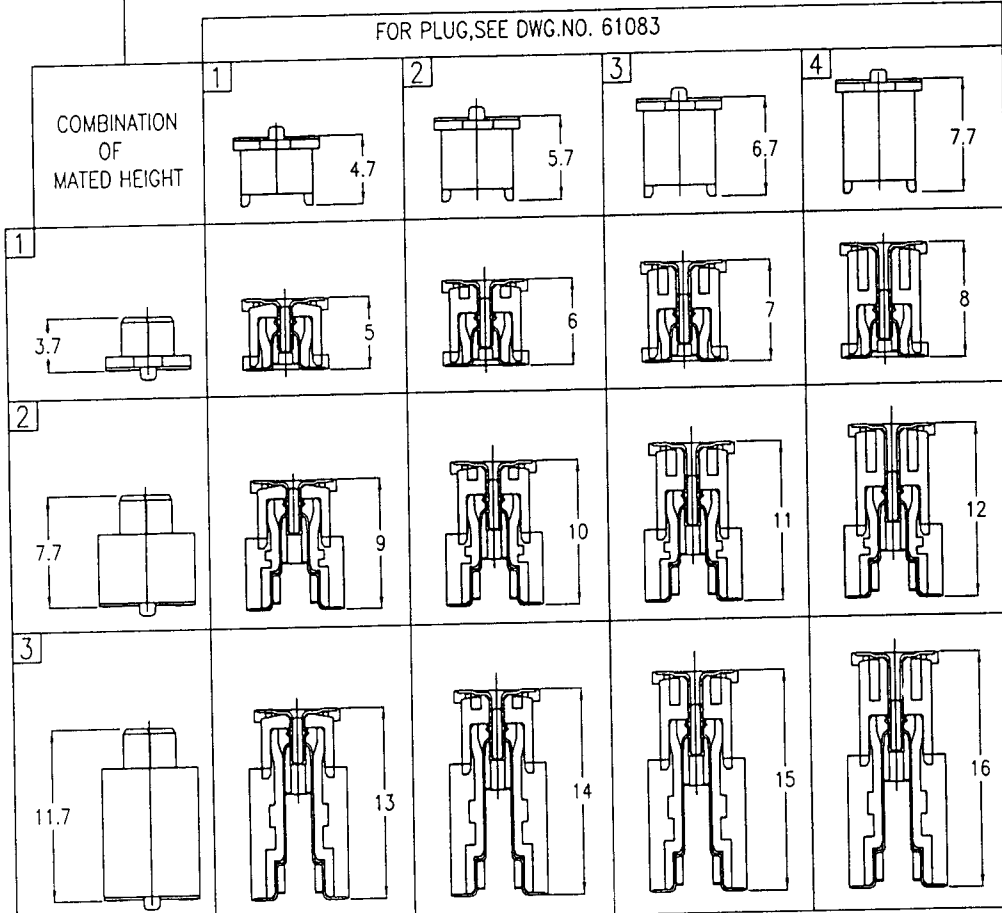
All rights strictly reserved. Reproduction or issue to third parties in any form without written authority from the proprietor. Property of FCI ELECTRONICS. Copyright, FCI ELECTRONICS by

61082-□□□□□

NUMBER OF POSITIONS

04	2 X20
06	2 X30
08	2 X40
10	2 X50
12	2 X60
14	2 X70
16	2 X80
18	2 X90
20	2 X100

COMBINATION OF MATED HEIGHT



PACKAGING	
0	TUBE
1	TAPE & REEL WITHOUT CAP
2	TAPE & REEL WITH CAP
9	TUBE WITH CAP

POLARIZATION PEG		HOLD DOWN	
0	YES	NO	
2	NO	NO	
4	YES	YES	

PLATING ON CONTACT AREA	
0	GOLD 0.2 μm MIN.
1	PALLADIUM-NICKEL 0.76 μm MIN. WITH GOLD FLASH

- NOTES:
- MATERIAL
HOUSING: G.F.LCP UL94V-0
TERMINAL: BERYLLIUM COPPER.
 - PLATING
SEE COLUMN ON CONTACT AREA.
SOLDER: 1.5 μm MIN. ON TAIL
 - SEE NO.110-327 FOR PRODUCT SPECIFICATION.
 - SEE GES-14-551 FOR PACKAGING SPECIFICATION.

REMARK :
FOR BOARD-IN APPLICATION USE.

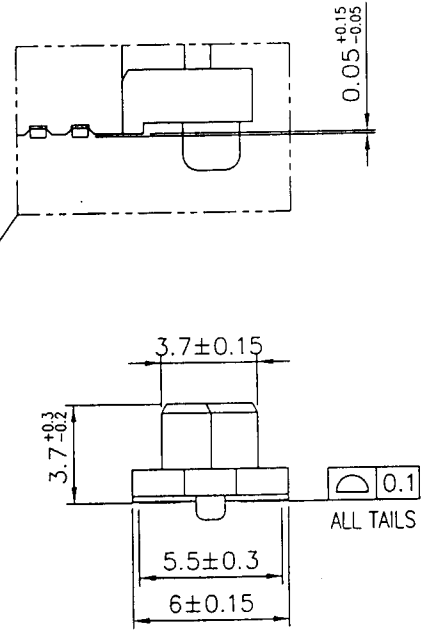
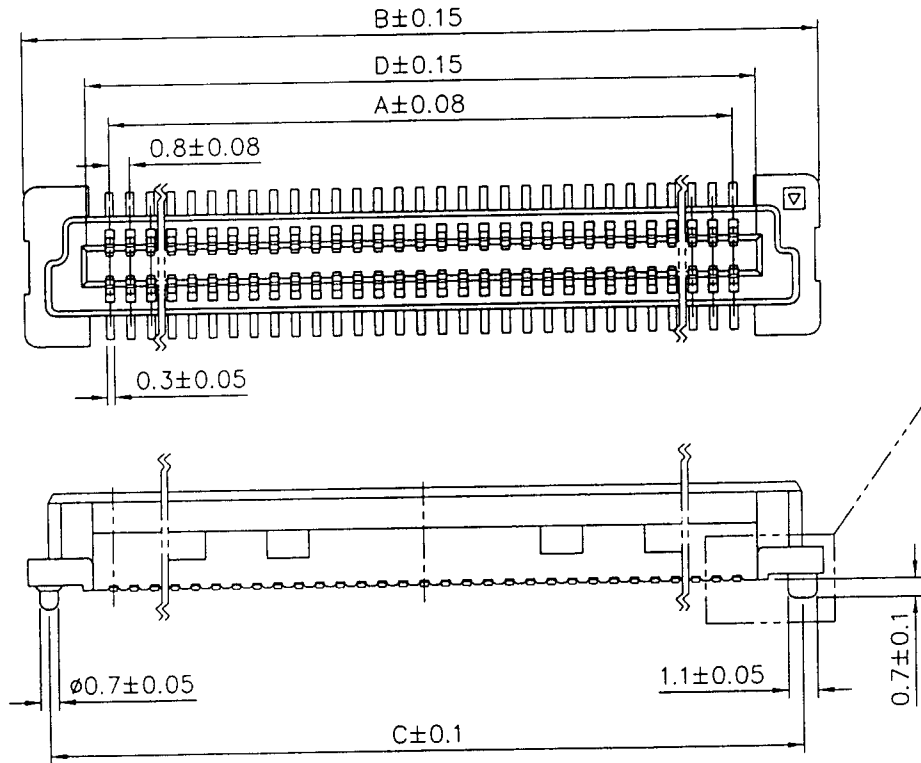
mat'l code		tolerance unless otherwise specified		CUSTOMER COPY		FCI Electronics www.fciconnect.com	
rev.	ecn no.	dr	date	linear	.0 ±	projection	title
A	J60142	N.Y	07/03/98		.00 ±		0.8mm BOARD TO BOARD RECEPTACLE ASS'Y
B	J60189	N.Y	08/28/98		.000±		
C	J70053	N.Y	02/28/97	angles	±		
D	J80347	N.Y	08/31/98	dr	MAGGIE WU 03/26/99	unit	product family BERGSTAK
E	J80456	N.Y	11/18/98	enqr	YU WEN CHU 03/26/99	mm/inch	code
F	J90067	N.Y	02/25/99	chr	JOSEPH HSIA 03/26/99	scale	size
G	T00118	M W	04/18/00	appd	JENN TSAO 03/26/99	5 : 1	dwg no.
sheet	revision	G	G	G	G	G	61082
index	sheet	1	2	3	4	5	A3
							product family BERGSTAK
							code
							size
							dwg no.
							61082
							product family BERGSTAK
							code
							size
							dwg no.
							61082
							product family BERGSTAK
							code
							size
							dwg no.
							61082
							product family BERGSTAK
							code
							size
							dwg no.
							61082
							product family BERGSTAK
							code
							size
							dwg no.
							61082
							product family BERGSTAK
							code
							size
							dwg no.
							61082
							product family BERGSTAK
							code
							size
							dwg no.
							61082
							product family BERGSTAK
							code
							size
							dwg no.
							61082
							product family BERGSTAK
							code
							size
							dwg no.
							61082
							product family BERGSTAK
							code
							size
							dwg no.
							61082
							product family BERGSTAK
							code
							size
							dwg no.
							61082
							product family BERGSTAK
							code
							size
							dwg no.
							61082
							product family BERGSTAK
							code
							size
							dwg no.
							61082
							product family BERGSTAK
							code
							size
							dwg no.
							61082
							product family BERGSTAK
							code
							size
							dwg no.
							61082
							product family BERGSTAK
							code
							size
							dwg no.
							61082
							product family BERGSTAK
							code
							size
							dwg no.
							61082
							product family BERGSTAK
							code
							size
							dwg no.
							61082
							product family BERGSTAK
							code
							size
							dwg no.
							61082
							product family BERGSTAK
							code
							size
							dwg no.
							61082
							product family BERGSTAK
							code
							size
							dwg no.
							61082
							product family BERGSTAK
							code
							size
							dwg no.
							61082
							product family BERGSTAK
							code
							size
							dwg no.
							61082
							product family BERGSTAK
							code
							size
							dwg no.
							61082
							product family BERGSTAK
							code
							size
							dwg no.
							61082
							product family BERGSTAK
							code
							size
							dwg no.
							61082
							product family BERGSTAK
							code
							size
							dwg no.
							61082
							product family BERGSTAK
							code
							size
							dwg no.
							61082
							product family BERGSTAK
							code
							size
							dwg no.
							61082
							product family BERGSTAK
							code
							size
							dwg no.
							61082
							product family BERGSTAK
							code
							size
							dwg no.
							61082
							product family BERGSTAK
							code
							size
							dwg no.
							61082
							product family BERGSTAK
							code
							size
							dwg no.
							61082
							product family BERGSTAK
							code
							size
							dwg no.
							61082
							product family BERGSTAK
							code
							size
							dwg no.
							61082
							product family BERGSTAK
							code
							size
							dwg no.
							61082
							product family BERGSTAK
							code
							size
							dwg no.
							61082
							product family BERGSTAK
							code
							size
							dwg no.
							61082
							product family BERGSTAK
							code
							size
							dwg no.
							61082

Tous droits strictement réservés. Reproduction ou communication à des tiers sans autorisation écrite du propriétaire.
 Property of FCI ELECTRONICS.
 All rights strictly reserved. Reproduction or communication to third parties without written authority from the proprietor.
 Copyright FCI ELECTRONICS by



All rights strictly reserved. Reproduction or communication to third parties without written authority from the proprietor.
 Property of FCI ELECTRONICS.
 Copyright FCI ELECTRONICS by

PRODUCT NO.	NUMBER OF POSITIONS	DIMENSION			
		A	B	C	D
61082-041***	2 X20	15.2	21.8	20.2	17.23
61082-061***	2 X30	23.2	29.8	28.2	25.23
61082-081***	2 X40	31.2	37.8	36.2	33.23
61082-101***	2 X50	39.2	45.8	44.2	41.23
61082-121***	2 X60	47.2	53.8	52.2	49.23
61082-141***	2 X70	55.2	61.8	60.2	57.23
61082-161***	2 X80	63.2	69.8	68.2	65.23
61082-181***	2 X90	71.2	77.8	76.2	73.23
61082-201***	2 X100	79.2	85.8	84.2	81.23



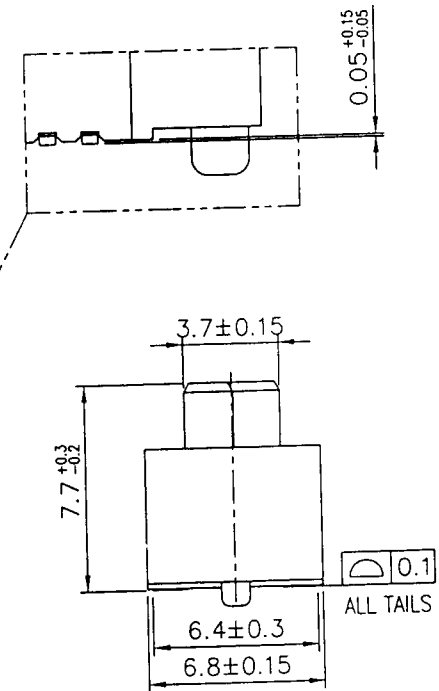
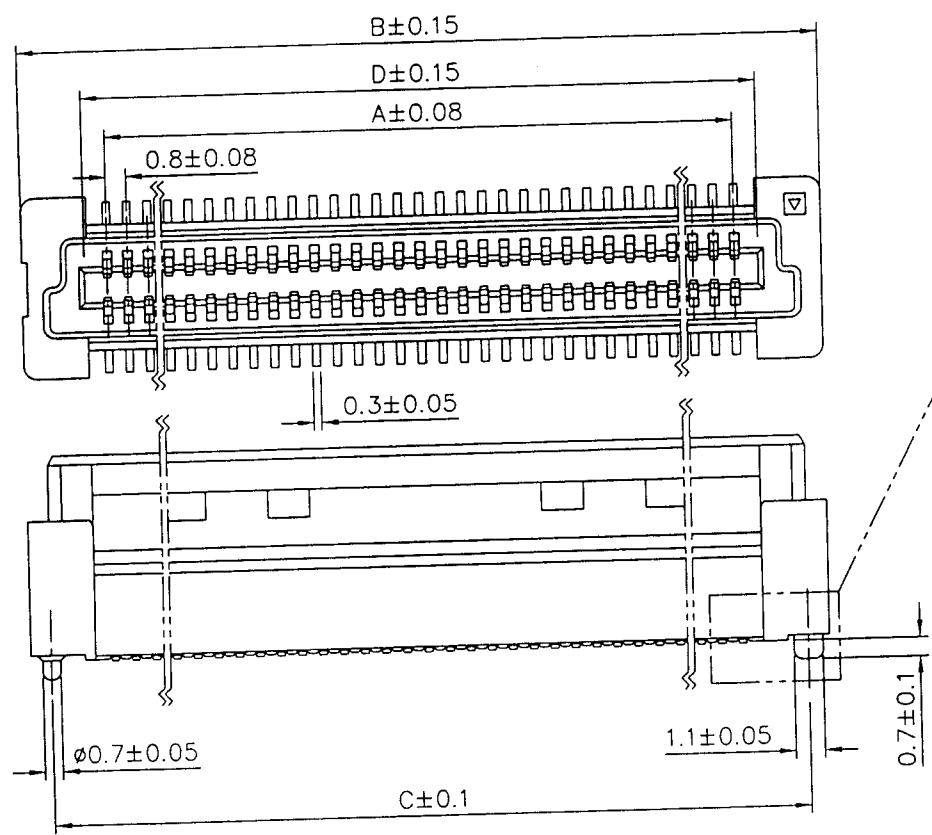
mat'l code		tolerance unless otherwise specified		CUSTOMER COPY		Electronics www.fciconnect.com	
rev.	ecn no.	dr	date	linear	.0 ±	projection	title 0.8mm BOARD TO BOARD RECEPTACLE ASS'Y
G					.00 ±		
				angles	.000 ±		product family BERGSTAK code -
		dr	MAGGIE WU	03/26/99	unit	mm/inch	size
		enr	YU WEN CHU	03/26/99	scale	5 : 1	dwg no.
		chr	JOSEPH HSIA	03/26/99			61082
		appd	JENN TSAO	03/26/99			sheet 2 OF
sheet	revision						
index	sheet						

Tous droits strictement réservés. Reproduction ou communication à des tiers sans autorisation écrite de FCI ELECTRONICS.
 Tous droits strictement réservés. Reproduction ou communication à des tiers sans autorisation écrite de FCI ELECTRONICS.
 All rights strictly reserved. Reproduction or communication to third parties without written authority from the proprietor.
 All rights strictly reserved. Reproduction or communication to third parties without written authority from the proprietor.



All rights strictly reserved. Reproduction or communication to third parties without written authority from the proprietor.
 All rights strictly reserved. Reproduction or communication to third parties without written authority from the proprietor.

PRODUCT NO.	NUMBER OF POSITIONS	DIMENSION			
		A	B	C	D
61082-042***	2 X20	15.2	21.8	20.2	17.23
61082-062***	2 X30	23.2	29.8	28.2	25.23
61082-082***	2 X40	31.2	37.8	36.2	33.23
61082-102***	2 X50	39.2	45.8	44.2	41.23
61082-122***	2 X60	47.2	53.8	52.2	49.23
61082-142***	2 X70	55.2	61.8	60.2	57.23
61082-162***	2 X80	63.2	69.8	68.2	65.23
61082-182***	2 X90	71.2	77.8	76.2	73.23
61082-202***	2 X100	79.2	85.8	84.2	81.23

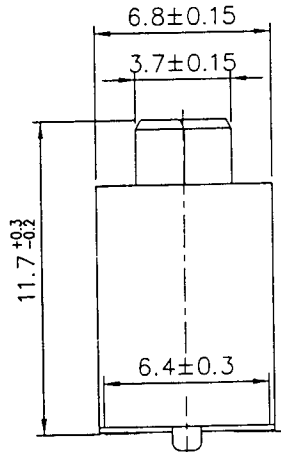
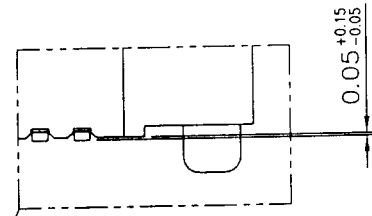
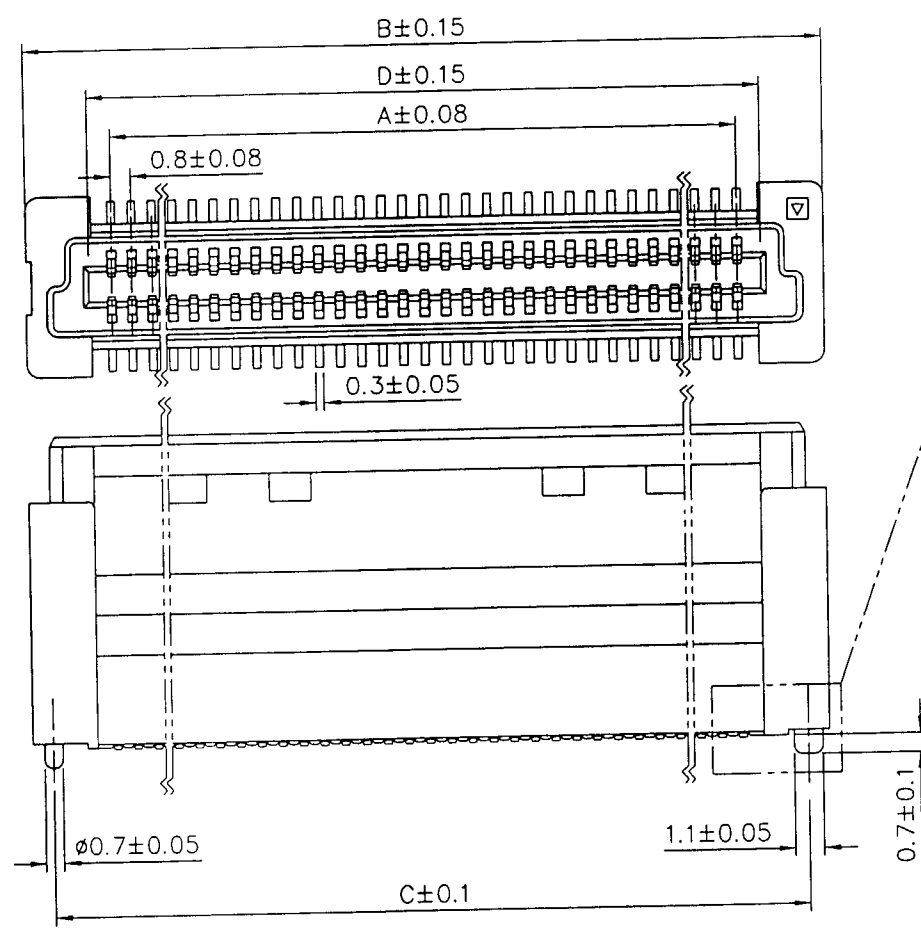


mat'l code		tolerance unless otherwise specified		CUSTOMER COPY		 Electronics FCI www.fciconnect.com	
rev.	ecn no.	dr	date	linear	0 ±	projection	title 0.8mm BOARD TO BOARD RECEPTACLE ASS'Y
G					.00 ±		
				angles	.000 ±		unit
		dr	MAGGIE WU	03/26/99		mm/inch	code
		enqr	YU WEN CHU	03/26/99		scale	size
		chr	JOSEPH HSIA	03/26/99		5 : 1	dwg no.
		appd	JENN TSAO	03/26/99			61082
sheet	revision						code
index	sheet						sheet
							3 OF

Tous droits strictement réservés. Reproduction ou communication à des tiers sans autorisation écrite du propriétaire.
 Property of FCI ELECTRONICS.
 Copyright FCI ELECTRONICS by

All rights strictly reserved. Reproduction or issue to third parties in any form without written authority from the proprietor.
 Property of FCI ELECTRONICS.
 Copyright FCI ELECTRONICS by

PRODUCT NO.	NUMBER OF POSITIONS	DIMENSION			
		A	B	C	D
61082-043***	2 X20	15.2	21.8	20.2	17.23
61082-063***	2 X30	23.2	29.8	28.2	25.23
61082-083***	2 X40	31.2	37.8	36.2	33.23
61082-103***	2 X50	39.2	45.8	44.2	41.23
61082-123***	2 X60	47.2	53.8	52.2	49.23
61082-143***	2 X70	55.2	61.8	60.2	57.23
61082-163***	2 X80	63.2	69.8	68.2	65.23
61082-183***	2 X90	71.2	77.8	76.2	73.23
61082-203***	2 X100	79.2	85.8	84.2	81.23



∇ 0.1
ALL TAILS

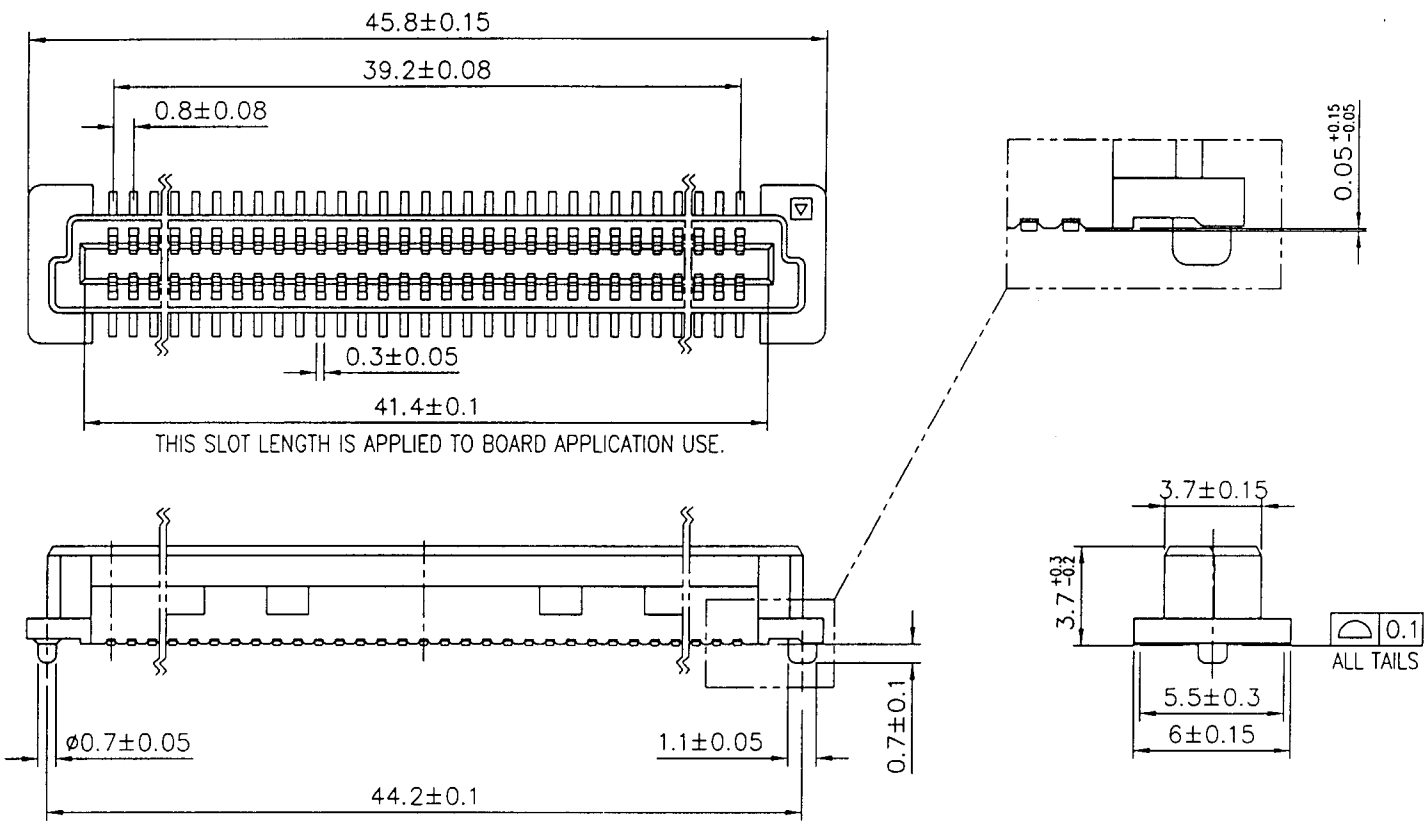
mat'l code		tolerance unless otherwise specified		CUSTOMER COPY		Electronics FCI www.fciconnect.com	
rev.	ecn no.	dr	date	linear	$0 \pm$	projection	title 0.8mm BOARD TO BOARD RECEPTACLE ASSY product family BERGSTAK size A3 code - sheet 4 OF
G				angles	$.00 \pm$		
					$.000 \pm$	unit	dwg no. 61082
		dr	MAGGIE WU	03/26/99		mm/inch	
		enr	YU WEN CHU	03/26/99		scale	
		chr	JOSEPH HSIA	03/26/99		5 : 1	
		appd	JENN TSAO	03/26/99			
sheet	revision						
index	sheet						

Tous droits strictement réservés. Reproduction ou communication à des tiers sans autorisation écrite du propriétaire.
 FCI ELECTRONICS BY

All rights strictly reserved. Reproduction or issue to third parties in any form without written authority from the proprietor.
 FCI ELECTRONICS BY

PRODUCT NO.	NUMBER OF POSITIONS
61082-10 0* *	2 X50

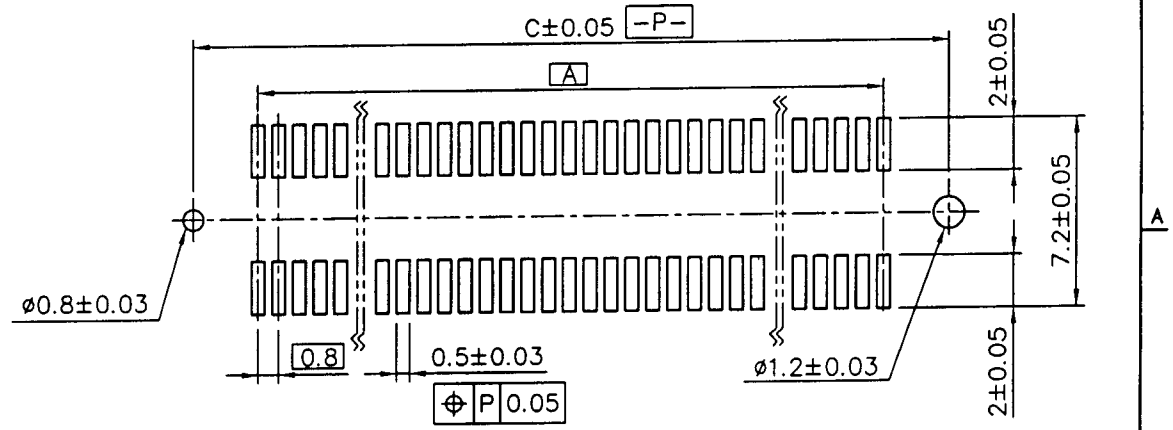
FOR BOARD-IN APPLICATION USE ONLY.



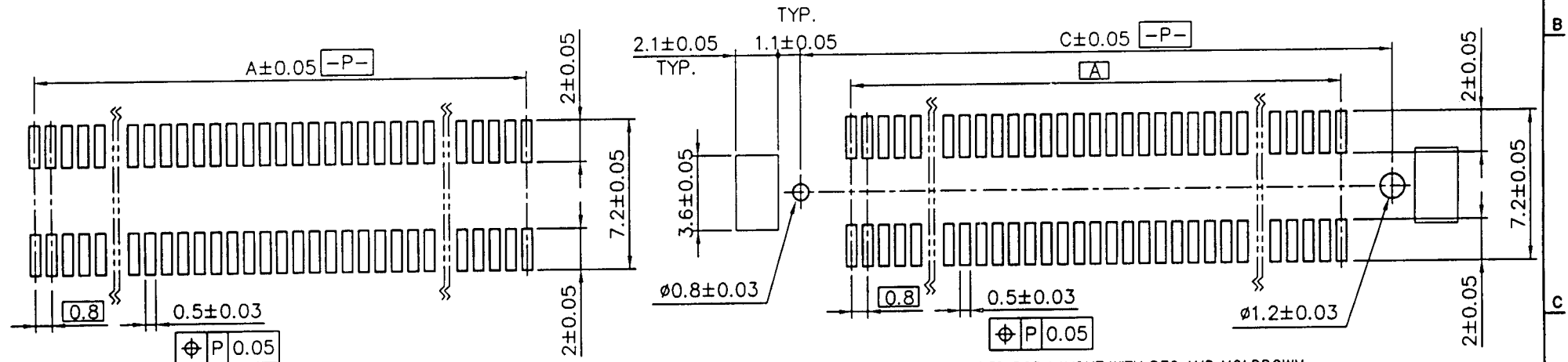
mat'l code		tolerance unless otherwise specified		CUSTOMER COPY		 FCI www.fciconnect.com	
rev.	ecn no.	dr	date	linear	.0 ±	projection	title 0.8mm BOARD TO BOARD RECEPTACLE ASS'Y
G				angles	.00 ±		
					.000 ±		product family
		dr	MAGGIE WU	03/26/99	unit	mm/inch	size
		enr	YU WEN CHU	03/26/99	scale	5 : 1	dwg no.
		chr	JOSEPH HSIA	03/26/99			61082
		appd	JENN TSAO	03/26/99			code
sheet	revision						5 OF
index	sheet						

Tous droits réservés. Toute réimpression ou communication sans l'autorisation écrite de FCI Electronics est formellement interdite. Toute réimpression FCI Electronics est formellement interdite.

All rights strictly reserved. Reproduction or issue to third parties in any form without the written authority of FCI Electronics is strictly prohibited. Copyright © FCI Electronics.



RECOMMENDED PCB LAYOUT WITH PEG
FOR NO. OF POSITION 2X20, 2X30, 2X40, 2X50, 2X60



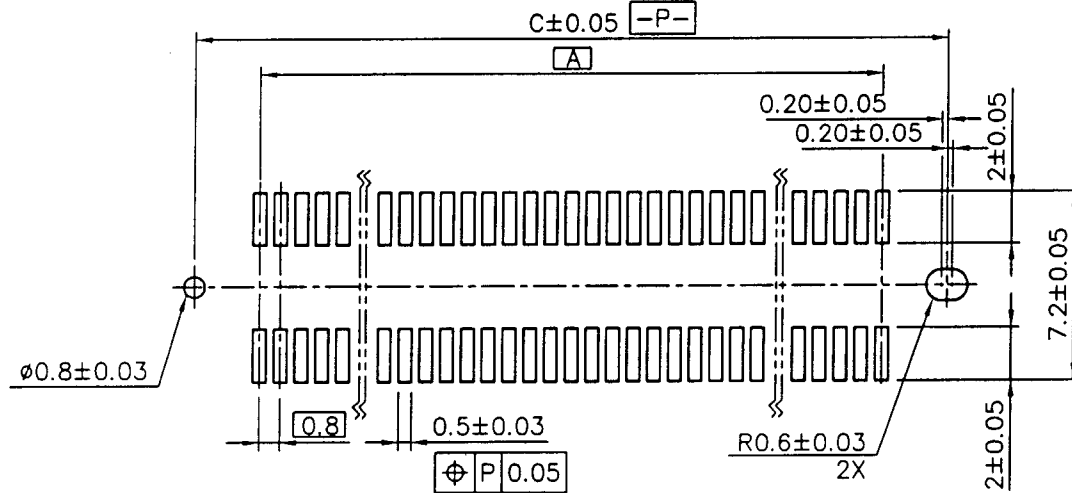
RECOMMENDED PCB LAYOUT WITHOUT PEG AND HOLDDOWN

RECOMMENDED PCB LAYOUT WITH PEG AND HOLDDOWN
FOR NO. OF POSITION 2X20, 2X30, 2X40, 2X50, 2X60

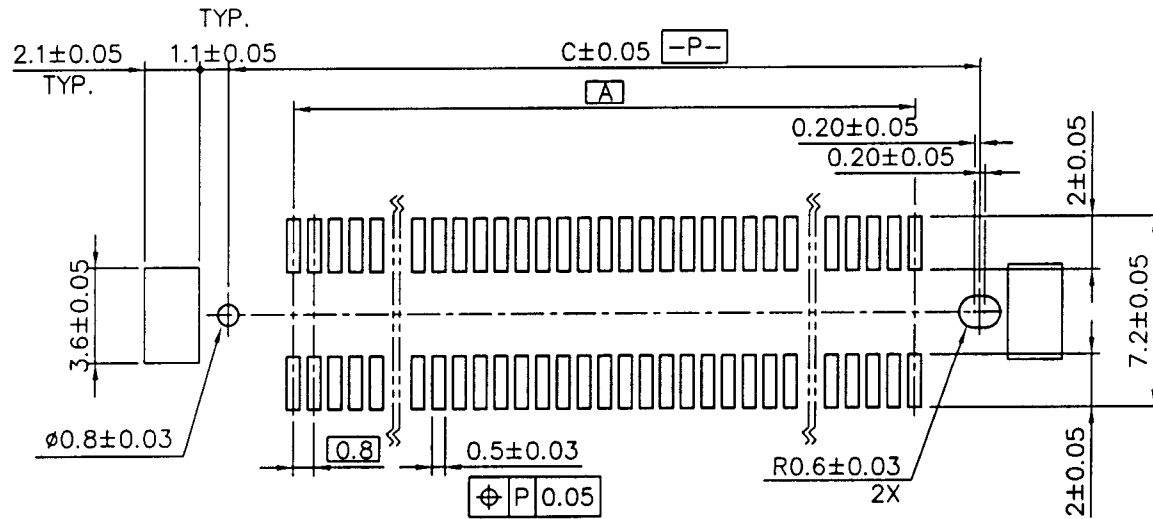
mat'l code		tolerance unless otherwise specified		CUSTOMER COPY		Electronics www.fciconnect.com		
rev.	ecn no.	dr	date	linear	projection	title		
G				.0 ±		0.8mm BOARD TO BOARD RECEPTACLE ASS'Y		
				.00 ±		product family	code	
				.000 ±		BERGSTAK	-	
				angles	unit	size	sheet	
		dr	MAGGIE WU 03/26/99	±	mm/inch	A3	6 OF	
		enr	YU WEN CHU 03/26/99		scale	61082		
		chr	YU WEN CHU 03/26/99		5 : 1			
		appd	JOSEPH HSIU 03/26/99					
sheet	revision							
index	sheet							

Tous droits réservés. Reproduction ou communication sans autorisation de FCI Electronics. Toute réimpression sans autorisation de FCI Electronics est interdite.

All rights reserved. Reproduction or communication in any form without written authority from the proprietor. Copyright © FCI Electronics. All rights reserved.



RECOMMENDED PCB LAYOUT WITH PEG
FOR NO. OF POS. 2X70, 2X80, 2X90, 2X100



RECOMMENDED PCB LAYOUT WITH PEG AND HOLDDOWN
FOR NO. OF POS. 2X70, 2X80, 2X90, 2X100

mat'l code		tolerance unless otherwise specified		CUSTOMER COPY		Electronics www.fciconnect.com	
rev.	ecn no.	dr	date	linear	.0 ±	projection	
G					.00 ±		
				angles	.000±		
		dr	MAGGIE WU	03/26/99	unit	mm/inch	product family
		enr	YU WEN CHU	03/26/99	scale	5 : 1	BERGSTAK
		chr	YU WEN CHU	03/26/99			code
		appd	JOSEPH HSA	03/26/99			-
sheet	revision						size
index	sheet						A3
							dwg no.
							61082
							sheet
							7 OF