

FEATURES AND SPECIFICATIONS

Features and Benefits

- Designed to mate with industry-standard headers utilizing short latch/eject levers
- Shipped with upper housing preloaded in convenient plastic tubes for ease of termination and handling
- Chamfered pin lead-ins
- Optional strain relief
- Locking IDT section
- Various packaging options for ease of termination and handling

Reference Information

Product Specification: PS-40312
 Packaging: Tube and tape
 Tooling Information: See pages B-30 to B-33
 UL File No.: E29179
 CSA File No.: LR19980
 Mates With: .025" square pins, mating length .220 to .310"
 Use Molex Cable: 6800, 8863 and 40158
 Designed In: Inches

Electrical

Voltage: 125V
 Current: 1.0A
 Contact Resistance: 30mΩ max.
 Dielectric Withstanding Voltage: 600V rms
 Insulation Resistance: 5000 MΩ min.

Mechanical

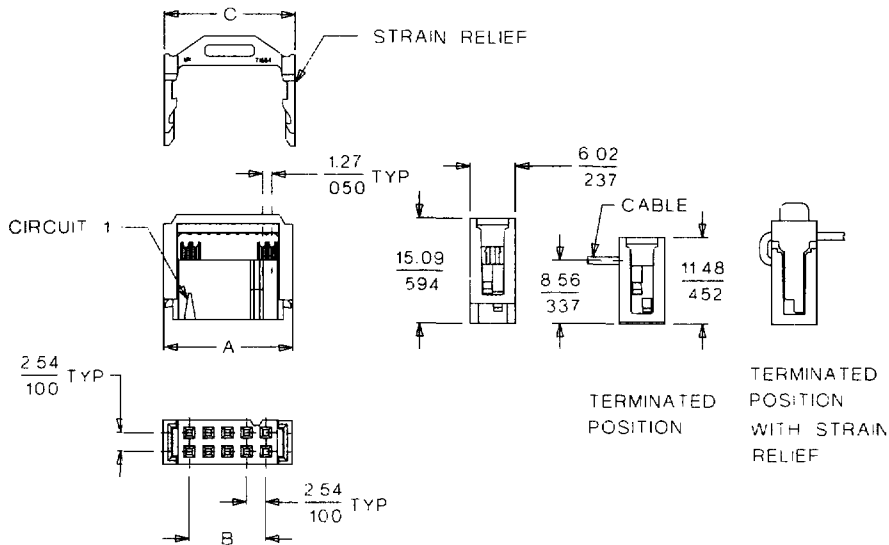
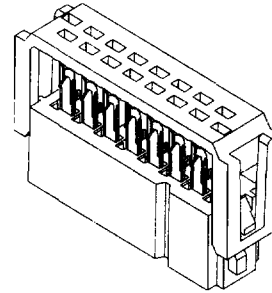
Contact Insertion Force: 8 oz per circuit max.
 Durability: 50 cycles Gold and 25 cycles Tin/Lead

Physical

Housing: Black glass-filled polyester, UL 94V-0
 Contact: Beryllium Copper Alloy
 Plating: See Table
 Temperature: -40 to +105°C
 Cable Accommodation: 26 AWG stranded tinned and 28 AWG stranded tinned and topcoat
 Insulation Range: 1.14mm (.045") diameter max.



**1.27mm (.050") Pitch
 MX-50™
 Ribbon Cable Connector
 71247
 MIL-C-83503 Type
 Polarization**



Delivered on a carrier with 20 pieces per strip.

Actual Size



Universal Polarizing Pin

40713-1

Order No. 15-04-0292

molex 1.27mm (.050") Pitch
MX-50™
Ribbon Cable Connector

Ribbon Cable
Connectors



71247
MIL-C-83503 Type
Polarization

Circuits	Order No.		Plating No.	Dimension	
	With Strain Relief	Without Strain Relief		A	B
8	71247-0826	71247-0026	1	14.55 (.573)	7.62 (.300)
	71247-0851	71247-0051	2		
	71247-0800	71247-0001	3		
10	71247-0827	71247-0027	1	17.09 (.673)	10.16 (.400)
	71247-0852	71247-0052	2		
	71247-0801	71247-0002	3		
12	71247-0828	71247-0028	1	19.63 (.773)	12.70 (.500)
	71247-0853	71247-0053	2		
	71247-0802	71247-0003	3		
14	71247-0829	71247-0029	1	22.17 (.873)	15.24 (.600)
	71247-0854	71247-0054	2		
	71247-0803	71247-0004	3		
16	71247-0830	71247-0030	1	24.74 (.973)	17.78 (.700)
	71247-0855	71247-0055	2		
	71247-0804	71247-0005	3		
20	71247-0831	71247-0031	1	29.79 (1.173)	22.86 (.900)
	71247-0856	71247-0056	2		
	71247-0805	71247-0006	3		
22	71247-0832	71247-0032	1	32.33 (1.273)	25.40 (1.000)
	71247-0857	71247-0057	2		
	71247-0806	71247-0007	3		
24	71247-0833	71247-0033	1	34.87 (1.373)	27.94 (1.100)
	71247-0858	71247-0058	2		
	71247-0807	71247-0008	3		
26	71247-0834	71247-0034	1	37.41 (1.473)	30.48 (1.200)
	71247-0859	71247-0059	2		
	71247-0808	71247-0009	3		
28	71247-0835	71247-0035	1	39.95 (1.573)	33.02 (1.300)
	71247-0860	71247-0060	2		
	71247-0809	71247-0010	3		
30	71247-0836	71247-0036	1	42.49 (1.673)	35.56 (1.400)
	71247-0861	71247-0061	2		
	71247-0810	71247-0011	3		
34	71247-0837	71247-0037	1	47.57 (1.873)	40.64 (1.600)
	71247-0862	71247-0062	2		
	71247-0811	71247-0012	3		
36	71247-0838	71247-0038	1	50.11 (1.973)	43.18 (1.700)
	71247-0863	71247-0063	2		
	71247-0812	71247-0013	3		
40	71247-0839	71247-0039	1	55.19 (2.173)	48.26 (1.900)
	71247-0864	71247-0064	2		
	71247-0813	71247-0014	3		
44	71247-0840	71247-0040	1	60.27 (2.373)	53.34 (2.100)
	71247-0865	71247-0065	2		
	71247-0814	71247-0015	3		
50	71247-0841	71247-0041	1	67.89 (2.673)	60.96 (2.400)
	71247-0866	71247-0066	2		
	71247-0815	71247-0016	3		
60	71247-0842	71247-0042	1	80.59 (3.173)	73.66 (2.900)
	71247-0867	71247-0067	2		
	71247-0816	71247-0017	3		
62	71247-0843	71247-0043	1	83.13 (3.273)	76.20 (3.000)
	71247-0868	71247-0068	2		
	71247-0817	71247-0018	3		
64	71247-0844	71247-0044	1	85.67 (3.373)	78.74 (3.100)
	71247-0869	71247-0069	2		
	71247-0818	71247-0019	3		

Plating No. 1: 0.38µm (15µ") min. Gold in contact area, 1.91µm (75µ") min. Tin/Lead in termination area, both over 1.27µm (50µ") min. Nickel underplate

Plating No. 2: 0.76µm (30µ") min. Gold in contact area, 1.91µm (75µ") min. Tin/Lead in termination area, both over 1.27µm (50µ") min. Nickel underplate

Plating No. 3: 3.81µm (150µ") Tin/Lead over 1.27µm (50µ") Nickel underplate

FEATURES AND SPECIFICATIONS

Features and Benefits

- Designed to mate with industry-standard headers utilizing short latch/eject levers
- Shipped with upper housing preloaded in convenient plastic tubes for ease of termination and handling
- Chamfered pin lead-ins
- Optional strain relief
- Locking IDT section
- Various packaging options for ease of termination and handling

Reference Information

Product Specification: PS-40312
 Packaging: Tube and tape
 Tooling Information: See pages B-30 to B-33
 UL File No.: E29179
 CSA File No.: LR19980
 Mates With: 70246, 70247 and .025" square or round pin, mating length .220 to .310"
 Use Molex Cable: 6800, 8863 and 40158
 Designed In: Inches

Electrical

Voltage: 125V
 Current: 1.0A
 Contact Resistance: 30mΩ max.
 Dielectric Withstanding Voltage: 600V rms
 Insulation Resistance: 5000 MΩ min.

Mechanical

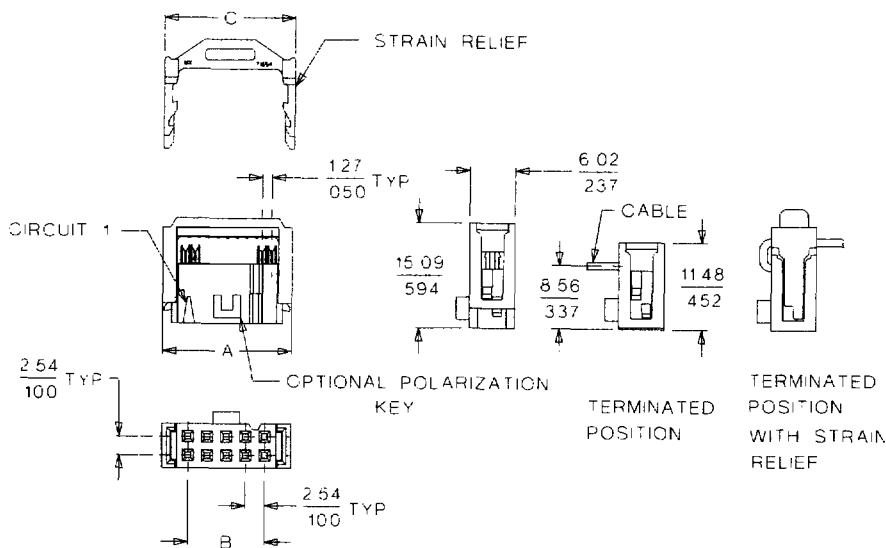
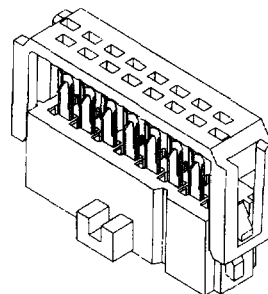
Contact Insertion Force: 8 oz per circuit max.
 Durability: 50 cycles Gold and 25 cycles Tin/Lead


Physical

Housing: Black glass-filled polyester, UL 94V-0
 Contact: Beryllium Copper Alloy
 Plating: See Table
 Temperature: -40 to +105°C
 Cable Accommodation: 26 AWG stranded tinned and 28 AWG stranded tinned and topcoat
 Insulation Range: 1.14mm (.045") diameter max.



**1.27mm (.050") Pitch
 MX-50™
 Ribbon Cable Connector
 71247
 Center Polarization**



Delivered on a carrier with 20 pieces per strip.
Actual Size  **Universal Polarizing Pin 40713-1**
 Order No. 15-04-0292

molex 1.27mm (.050") Pitch
MX-50™
Ribbon Cable Connector
71247
Center Polarization

Ribbon Cable
Connectors
B

Circuits	Order No.		Plating No.	Dimension	
	With Strain Relief	Without Strain Relief		A	B
8	71247-1226	71247-0426	1	14.55 (.573)	7.62 (.300)
	71247-1251	71247-0451	2		
	71247-1200	71247-0400	3		
10	71247-1227	71247-0427	1	17.09 (.673)	10.16 (.400)
	71247-1252	71247-0452	2		
	71247-1201	71247-0401	3		
12	71247-1228	71247-0428	1	19.63 (.773)	12.70 (.500)
	71247-1253	71247-0453	2		
	71247-1202	71247-0402	3		
14	71247-1229	71247-0429	1	22.7 (.873)	15.24 (.600)
	71247-1254	71247-0454	2		
	71247-1203	71247-0403	3		
16	71247-1230	71247-0430	1	24.74 (.973)	17.78 (.700)
	71247-1255	71247-0455	2		
	71247-1204	71247-0404	3		
20	71247-1231	71247-0431	1	29.79 (1.173)	22.86 (.900)
	71247-1256	71247-0456	2		
	71247-1205	71247-0405	3		
22	71247-1232	71247-0432	1	32.33 (1.273)	25.40 (1.000)
	71247-1257	71247-0457	2		
	71247-1206	71247-0406	3		
24	71247-1233	71247-0433	1	34.87 (1.373)	27.94 (1.100)
	71247-1258	71247-0458	2		
	71247-1207	71247-0407	3		
26	71247-1234	71247-0434	1	37.41 (1.473)	30.48 (1.200)
	71247-1259	71247-0459	2		
	71247-1208	71247-0408	3		
28	71247-1235	71247-0435	1	39.95 (1.573)	33.02 (1.300)
	71247-1260	71247-0460	2		
	71247-1209	71247-0409	3		
30	71247-1236	71247-0436	1	42.49 (1.673)	35.56 (1.400)
	71247-1261	71247-0461	2		
	71247-1210	71247-0410	3		
34	71247-1237	71247-0437	1	47.57 (1.873)	40.64 (1.600)
	71247-1262	71247-0462	2		
	71247-1211	71247-0411	3		
36	71247-1238	71247-0438	1	50.11 (1.973)	43.18 (1.700)
	71247-1263	71247-0463	2		
	71247-1212	71247-0412	3		
40	71247-1239	71247-0439	1	55.19 (2.173)	48.26 (1.900)
	71247-1264	71247-0464	2		
	71247-1213	71247-0413	3		
44	71247-1240	71247-0440	1	60.27 (2.373)	53.34 (2.100)
	71247-1265	71247-0465	2		
	71247-1214	71247-0414	3		
50	71247-1241	71247-0441	1	67.39 (2.673)	60.96 (2.400)
	71247-1266	71247-0466	2		
	71247-1215	71247-0415	3		
60	71247-1242	71247-0442	1	80.59 (3.173)	73.66 (2.900)
	71247-1267	71247-0467	2		
	71247-1216	71247-0416	3		
62	71247-1243	71247-0443	1	83.13 (3.273)	76.20 (3.000)
	71247-1268	71247-0468	2		
	71247-1217	71247-0417	3		
64	71247-1244	71247-0444	1	85.67 (3.373)	78.74 (3.100)
	71247-1269	71247-0469	2		
	71247-1218	71247-0418	3		

Plating No. 1: 0.38µm (15µ") min. Gold in contact area, 1.91µm (75µ") min. Tin/Lead in termination area, both over 1.27µm (50µ") min. Nickel underplate

Plating No. 2: 0.76µm (30µ") min. Gold in contact area, 1.91µm (75µ") min. Tin/Lead in termination area, both over 1.27µm (50µ") min. Nickel underplate

Plating No. 3: 3.81µm (150µ") Tin/Lead over 1.27µm (50µ") Nickel underplate