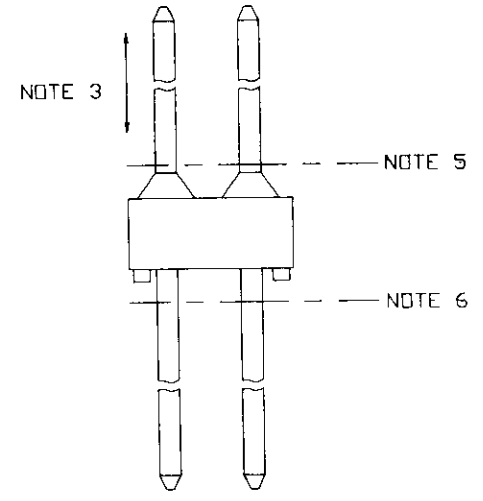
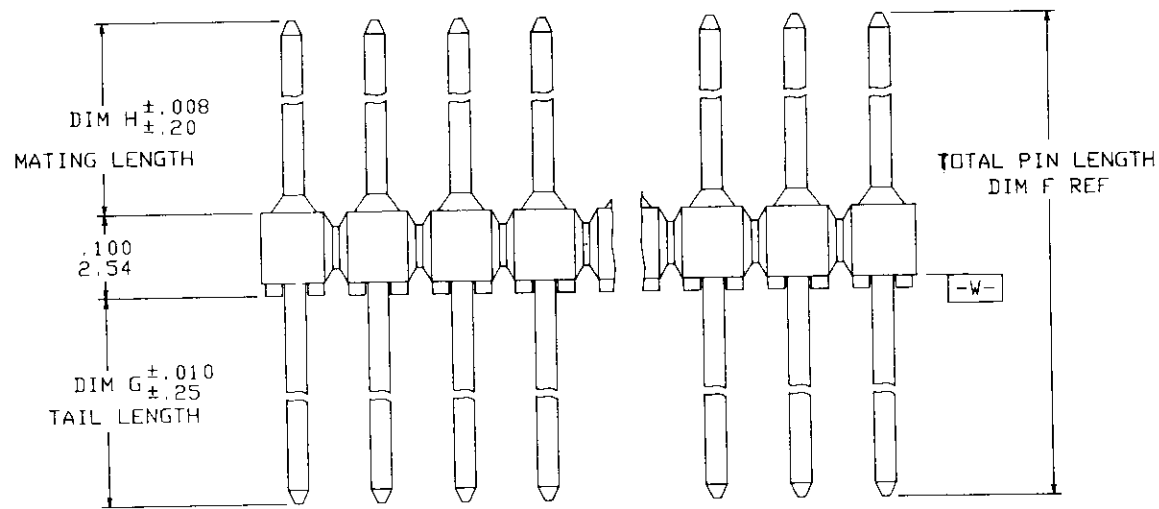
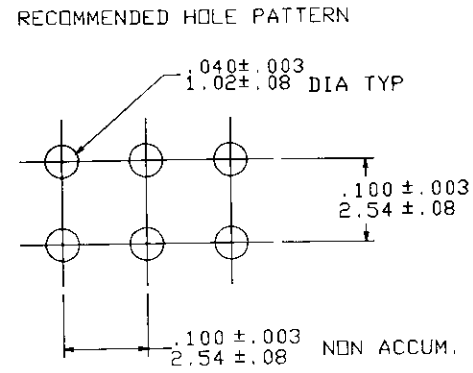
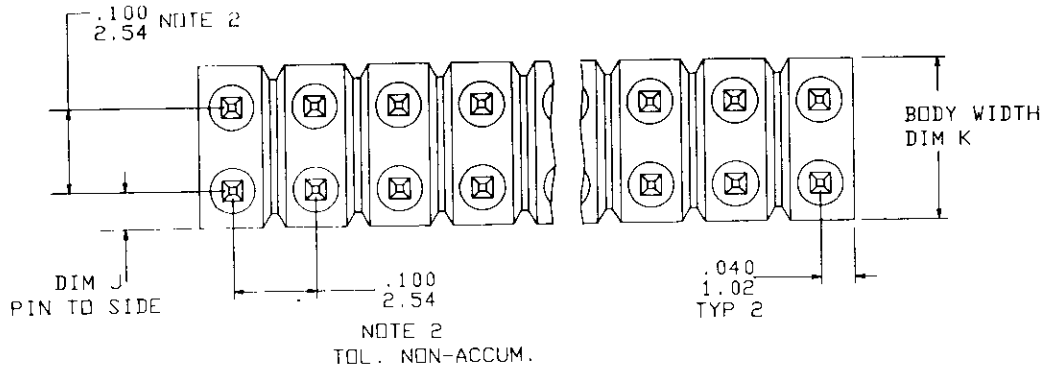


Tous droits strictement reserves. Reproduction ou communication a des tiers interdite sans quelque forme que ce soit sans autorisation écrite du propriétaire.
 Propriete de ©BERG ELECTRONICS. Droits de reproduction BERG ELECTRONICS INC.



All rights strictly reserved. Reproduction or issue to third parties in any form whatever is not permitted without written authority from the proprietor.
 Property of ©BERG ELECTRONICS Copyright BERG ELECTRONICS INC.



mat'l. code				tolerances unless otherwise specified				CUSTOMER COPY		BERG ELECTRONICS	
ltr	ecn no	dr	date	linear	.XX ± .01 / X ± 3		projection	title			
AK	V5051B	HTB	29MAR.95		.XXX ± .005 / XX ± .13			BERGSTIK® 1 HEADER			
AL	I50003	R.SRI	19OCT.95	angles	.XXX ± .0020 / .XXX ± .051			.100/2.54cc DR STRAIGHT			
AM	S60613	S.LOW	15JUL.96		σ ± z		INCH/MM	product family	code		
AN	V61069	HTB	29JUL.96	dr	BK CHUA	15JUL.96	scale	size	dwg no	sheet	
				engr	JOYCE PEH	15JUL.96	5:1	A	65610	1 of 4	
				chr	JOYCE PEH	15JUL.96					
				appd	MK KAN	15JUL.96					
sheet index	revision sheet	AN	AJ	AM	AJ						
		1	2	3	4						

Tous droits strictement réservés. Reproduction ou communication à des tiers interdite sans quelque forme que ce soit sans autorisation écrite du propriétaire.
 Property of © BERG ELECTRONICS. Droits de reproduction BERG ELECTRONICS INC.

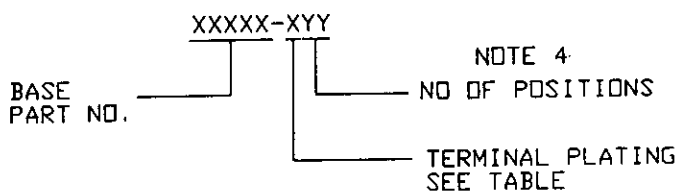


All rights strictly reserved. Reproduction or issue to third parties in any form whatever is not permitted without written authority from the proprietor.
 Property of © BERG ELECTRONICS Copyright BERG ELECTRONICS INC.

PLATING VARIATIONS			
DASH NO.	OVERPLATING	UNDERPLATING	PLASTIC COLOR
-1YY	30u"/76u Gold	50u"/1.27u Nickel	BLACK
-2YY	15u"/.38u Gold	50u"/1.27u Nickel	CREAM
-3YY	50u"/1.27u Gold	50u"/1.27u Nickel	BROWN
-4YY	150u"/3.81u SnPb	-----	BLACK
-5YY	15u"/.38u Pd Alloy WITH Au FLASH	50u"/1.27u Nickel	DK BLUE
-6YY	30u"/.76u Pd Alloy WITH Au FLASH	50u"/1.27u Nickel	LT BLUE
-9YY	5u"/.13u Gold	50u"/1.27u Nickel	BLACK

OBSOLETE
OBSOLETE

PART NO INFORMATION



NOTES:

- BODY MAT'L: 20% MIN GLASS FILLED NYLON RATED PER UL 94V-0. PIN MAT'L: 3/4 HARD PHOS BRONZE.
- MEASURED AT DATUM -W- WITH PART IN RESTRAINED CONDITION.
- 5LBS/2.3KG MINIMUM TERMINAL PUSH-OUT FORCE IN EITHER DIRECTION.
- MIN NO. OF POSITIONS -2. MAX NO. OF POSITIONS -72.
- .03/.76 MAX FLASH AROUND PIN IN AREA INDICATED.
- .02/.51 MAX FLASH AROUND PIN IN AREA INDICATED.
- TWO SIDES OF LEAD-IN ON PINS NOT PLATED. TYPICAL BOTH ENDS.

mat'l. code				tolerances unless otherwise specified		CUSTOMER COPY		BERG ELECTRONICS	
ltr	ecn no	dr	date	linear	angles	projection	title	product family	code
AH				.XXX ±.005/.XX ±.13	σ ±Z		BERGSTIK® I HEADER	.100/2.54cc DR STRAIGHT	-
AJ				.XXX ±.0020/.XX ±.051					
				dr BK CHUA 15JUL98		INCH/MM	size	dwg no	sheet
				engr JOYCE PEH 15JUL98		scale	A	65610	2 of
				chr JOYCE PEH 15JUL98		3:1			
				appd MK KAN 15JUL98					
sheet index	revision sheet								

Tous droits strictement réservés. Reproduction ou communication à des tiers interdite sans quelque forme que ce soit sans autorisation écrite du propriétaire. Droits de reproduction BERG ELECTRONICS INC. Propriété de ©BERG ELECTRONICS.



All rights strictly reserved. Reproduction or issue to third parties in any form whatever is not permitted without written authority from the proprietor. Property of ©BERG ELECTRONICS Copyright BERG ELECTRONICS INC.

PRODUCT NO.	TOTAL PIN LENGTH		TAIL LENGTH		MATING LENGTH		PIN TO SIDE		BODY WIDTH			
	DIM F	DIM F	DIM G	DIM G	DIM H	DIM H	DIM J	DIM J	DIM K	DIM K		
	ENGLISH	METRIC	ENGLISH	METRIC	ENGLISH	METRIC	ENGLISH	METRIC	ENGLISH	METRIC		
65610-YYY	0.425	10.80	0.095	2.41	0.230	5.84	0.045	1.14	0.195	4.95		
65611-YYY	0.450	11.43	0.120	3.05	0.230	5.84	0.045	1.14	0.195	4.95		
65614-YYY	0.555	14.10	0.225	5.72	0.230	5.84	0.045	1.14	0.195	4.95		
65619-YYY	0.615	15.62	0.285	7.24	0.230	5.84	0.045	1.14	0.195	4.95		
65805-YYY	0.525	13.34	0.107	2.72	0.318	8.08	0.045	1.14	0.195	4.95		
65954-YYY				DISCONTINUED								
65989-YYY	0.533	13.54	0.115	2.92	0.318	8.08	0.045	1.14	0.195	4.95		
66068-YYY	0.548	13.92	0.130	3.30	0.318	8.08	0.045	1.14	0.195	4.95		
66486-YYY				DISCONTINUED								
66872-YYY	0.838	21.29	0.420	10.67	0.318	8.08	0.045	1.14	0.195	4.95		
66873-YYY				DISCONTINUED								
66887-YYY	0.650	16.51	0.120	3.05	0.430	10.92	0.045	1.14	0.195	4.95		
67156-YYY	0.638	16.21	0.220	5.59	0.318	8.08	0.045	1.14	0.195	4.95		
67279-YYY	0.980	24.89	0.650	16.51	0.230	5.84	0.045	1.14	0.195	4.95		
67385-YYY	0.425	10.80	0.217	5.51	0.108	2.74	0.045	1.14	0.195	4.95		
67397-YYY				DISCONTINUED								
67538-YYY				DISCONTINUED								
68034-YYY	0.705	17.91	0.110	2.79	0.495	12.57	0.045	1.14	0.195	4.95		
68414-YYY	0.510	12.95	0.180	4.57	0.230	5.84	0.045	1.14	0.195	4.95		
68635-YYY	0.480	12.19	0.150	3.81	0.230	5.84	0.045	1.14	0.195	4.95		
68724-YYY				DISCONTINUED								
78953-YYY	0.375	9.53	0.045	1.14	0.230	5.84	0.045	1.14	0.195	4.95		
89160-YYY	0.480	12.19	0.150	3.81	0.230	5.84	0.045	1.14	0.195	4.95		
89161-YYY	0.525	13.34	0.195	4.95	0.230	5.84	0.045	1.14	0.195	4.95		
89166-YYY	0.715	18.16	0.385	9.78	0.230	5.84	0.050	1.27	0.195	4.95		
89169-YYY	0.538	13.67	0.120	3.05	0.318	8.08	0.045	1.14	0.195	4.95		
89175-YYY	0.620	15.75	0.120	3.05	0.400	10.16	0.045	1.14	0.195	4.95		

mat'l. code				tolerances unless otherwise specified			CUSTOMER COPY		BERG ELECTRONICS	
lfr	ecr no	dr	date	linear	.XX ± .01 / X ± .3	projection	title		BERGSTIK® I HEADER	
AL					.XXX ± .005 / .XX ± .13		100/2.54CC DR STRAIGHT		code	
AM				angles	.XXX ± .0020 / .XX ± .05		product family		-	
				dr	BK CHUA 15JUL96	INCH/MM	size		-	
				enqr	JOYCE PEH 15JUL96	scale 1:1	65610		sheet 3 of	
				chr	JOYCE PEH 15JUL96		A			
				oppd	MK KAN 15JUL96					
sheet index	revision sheet							cage code	22526	

Tous droits strictement reserves. Reproduction ou communication e des tiers interdite sous quelque forme que ce soit sans autorisation écrite du propriétaire.
 Property of ©BERG ELECTRONICS. Droits de reproduction BERG ELECTRONICS INC.



All rights strictly reserved. Reproduction or issue to third parties in any form whatever is not permitted without written authority from the proprietor.
 Property of ©BERG ELECTRONICS Copyright BERG ELECTRONICS INC.

PRODUCT NO.	TOTAL PIN LENGTH		TAIL LENGTH		MATING LENGTH		PIN TO SIDE		BODY WIDTH	
	DIM F	DIM F	DIM G	DIM G	DIM H	DIM H	DIM J	DIM J	DIM K	DIM K
	ENGLISH	METRIC	ENGLISH	METRIC	ENGLISH	METRIC	ENGLISH	METRIC	ENGLISH	METRIC
90012-XY	0.490	12.45	0.120	3.05	0.270	6.86	0.045	1.14	0.195	4.95
90013-XY	0.785	19.94	0.120	3.05	0.565	14.35	0.045	1.14	0.195	4.95
90014-XY	0.990	25.15	0.120	3.05	0.770	19.56	0.045	1.14	0.195	4.95
95043-XY	0.430	10.92	0.090	2.29	0.240	6.10	0.045	1.14	0.195	4.95
95044-XY	0.725	18.42	0.090	2.29	0.535	13.59	0.045	1.14	0.195	4.95
95045-XY	0.930	23.62	0.090	2.29	0.740	18.80	0.045	1.14	0.195	4.95

mat'l. code				tolerances unless otherwise specified				CUSTOMER COPY		BERG ELECTRONICS	
ltr	ecr no	dr	date	linear	.XX ± .01 / .X ± .3	projection	title				
AJ					.XXX ± .005 / .XX ± .13		BERGSTIK #1 HEADER				
				angles	.000X ± .0020 / .00X ± .05	INCH/MM	product family				
				dr	0° ± 2'	←	size				
				enr	BK CHUA 15JUL.96	scale	dwg no				
				chr	JOYCE PEH 15JUL.96	1:1	A 65610				
				appd	MK KAN 15JUL.96		code				
sheet	revision						sheet				
index	sheet						4 of				