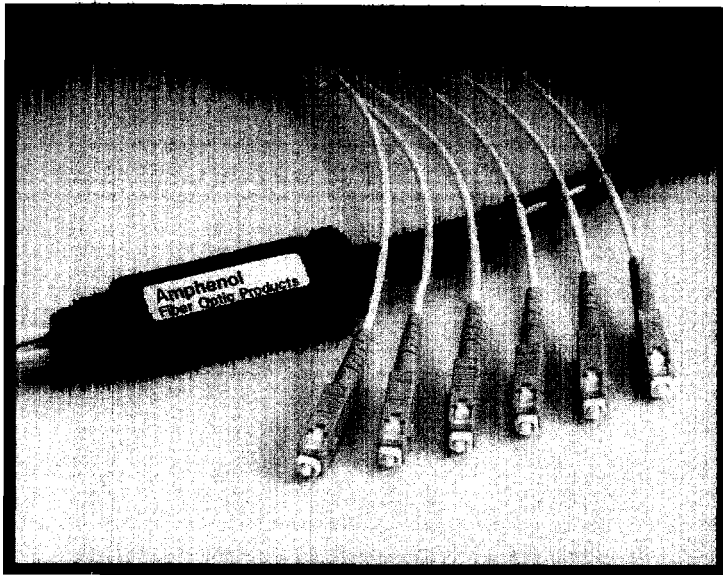


Amphenol®

942 Series Service Cable Assemblies



- Indoor/Outdoor use
- Low loss fiber optic connectors
- All assemblies are 100% optically tested for insertion and return loss
- Optional: stainless steel feed through adapter in lieu of aluminum feed through adapter for additional mechanical strength
- Optional: strain relief boot for applications where excessive or repeated bending of the cable is likely to occur

Description

Amphenol's 942 Series Service Cable Assemblies link the fiber optic transport cable directly to the fiber optic processing equipment.

The service cables utilize a fully water blocked loose tube cable which passes OFNR/FT-4 and IEEE flame tests, providing full outdoor protection while complying with National Electric Code riser cable requirements for indoor use.

All assemblies can be equipped with FC, SC, or ST connectors and your choice of two to twelve fibers.

Features

- Excellent thermal stability: < .15 dB variation in insertion loss -40° to +85° C
- 5/8" - 24 thread feed through adapter spins independently to prevent cable and furcation tubes from twisting during installation
- Multiple o-ring design and an anodized surface for superior weather protection

Applications

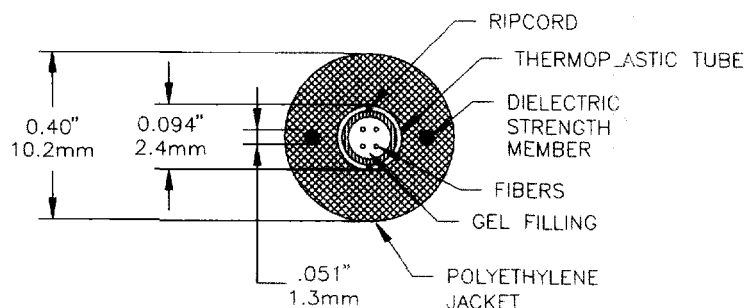
- ◆ CATV - nodes and headends
- ◆ Telecommunications

Cable Specifications

Fiber Type: 8.3/125 Corning SMF-28

Attenuation: 0.5 dB/Km @ 1300 nm
0.4 dB/Km @ 1550 nm

Coating: UV cured Acrylate to 250 μm



Cable is qualified to Bellcore GR-20-CORE generic requirements for optical fiber and fiber optic cable

Order Information (Contact factory for custom engineered cable assemblies.)

Termination Type	Connector Loss (dB)		Return Loss (dB)		Operating Temperature
	Typical	Maximum	Typical	Maximum	
Super FC, SC, ST	0.20	0.50	-49	-45	-40° to +85° C
Ultra FC, SC, ST	0.13	0.30	-60	-55	-40° to +85° C
Angle FC, SC, ST	0.25	0.50	-68	-65	-40° to +85° C

942 - 7 0 XXX - X XX 0 XX

Configuration

0 = Pigtail, aluminum body
 1 = Jumper, aluminum body
 2 = Pigtail, steel body
 3 = Jumper, steel body

Connector/Polish Type

077 = Super ST	522 = Ultra FC
088 = Super SC	555 = Ultra ST
099 = Super FC	566 = Ultra SC
422 = Angle FC	466 = Angle SC

of Fibers

2 = 2 Fibers	8 = 8 Fibers
4 = 4 Fibers	0 = 10 Fibers
6 = 6 Fibers	1 = 12 Fibers

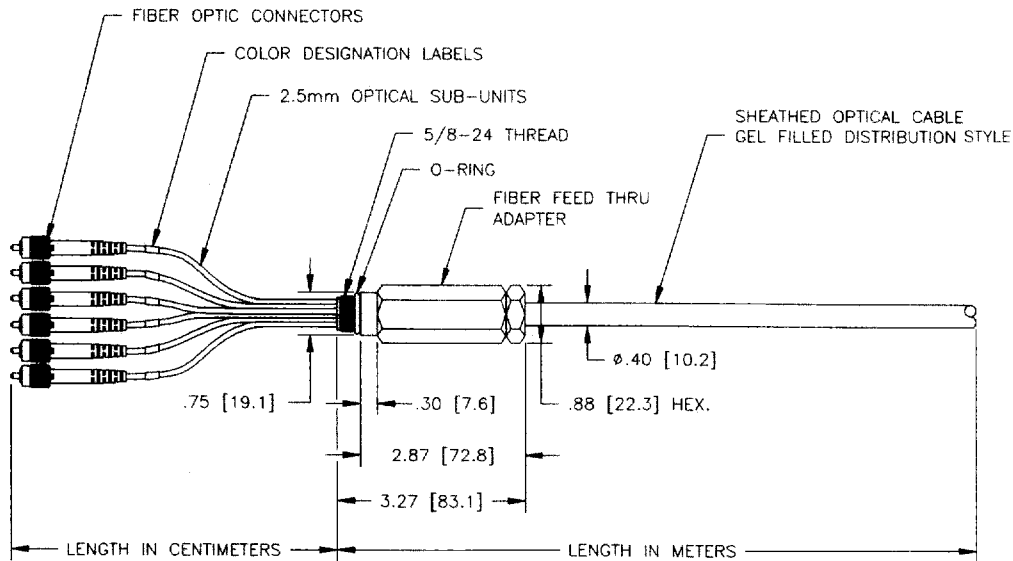
Cable Length in Meters
is right justified

Breakout Length
In Centimeters

Note: Jumpers are only offered as a standard with same connectors on both ends.

All dimensions are shown in inches [millimeters] unless otherwise specified.

Service Cable



Amphenol Fiber Optic Products
 1925 A Ohio Street
 Lisle, Illinois 60532
 Tel: (630) 810-5800 or (800) 944-6446
 Fax: (630) 810-5640

International Offices
 Australia (61 8) 341 0665
 Austria (43 1) 985 1511
 Belgium (32) 2 360 2366
 Canada (416) 291 4401
 England (44 1227) 773 200

France (33) 1 490 053000
 Germany (49) 7131 9290
 Hong Kong (852 2) 699 2663
 India (92 212) 790 363
 Italy (39 2) 939 04192

Japan (81 3) 3263 5611
 Netherlands (31) 30 63 58019
 Singapore (65) 743 3022
 Sweden (46) 859 077100
 Taiwan (886 3) 379 5577

Notice: Specifications are subject to change without notice. Contact your nearest Amphenol sales office for the latest specification. All statements, information and data given herein are believed to be accurate and reliable but are presented without guarantee, warranty or responsibility of any kind, express or implied. Statements or suggestions concerning possible use of our products are made without representation or warranty that any such use is free of patent infringement and are not recommendations to infringe any patent. The user should not assume that all safety measures are indicated or that other measures may not be required. **Amphenol** is a registered trademark.



Amphenol®
Fiber Optic Products

Illuminating the world of fiber optics™