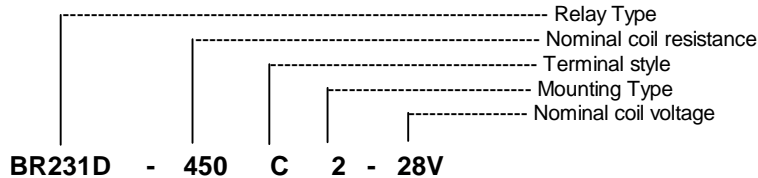


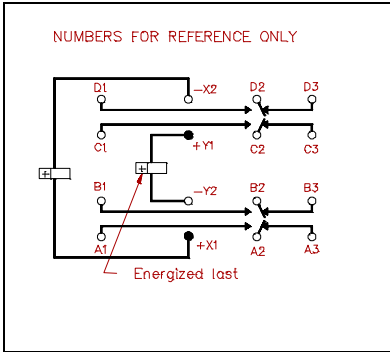
COIL DATA:

MODEL BR231 PART NUMBER	BR231-28(0)-6V	BR231-112(0)-12V	BR231-450(0)-28V	BR231-1500(0)-48V	BR231AC-(0)-115V (Note 3)
NOMINAL COIL VOLTAGE	6 VDC	12 VDC	28 VDC	48 VDC	115 VAC
MAXIMUM COIL VOLTAGE	8 VDC	15 VDC	29 VDC	59 VDC	122 VAC
LATCH/RESET VOLTAGE (MAX @ +125°C)	4.5 VDC	9 VDC	18 VDC	36 VDC	90 VAC
LATCH/RESET VOLTAGE (MAX)	3 VDC	6 VDC	13 VDC	24 VDC	72 VAC
COIL RESISTANCE ± 10% @ 25°C	28 OHMS	112 OHMS	450 OHMS	1500 OHMS	I = 0.04 AMPS

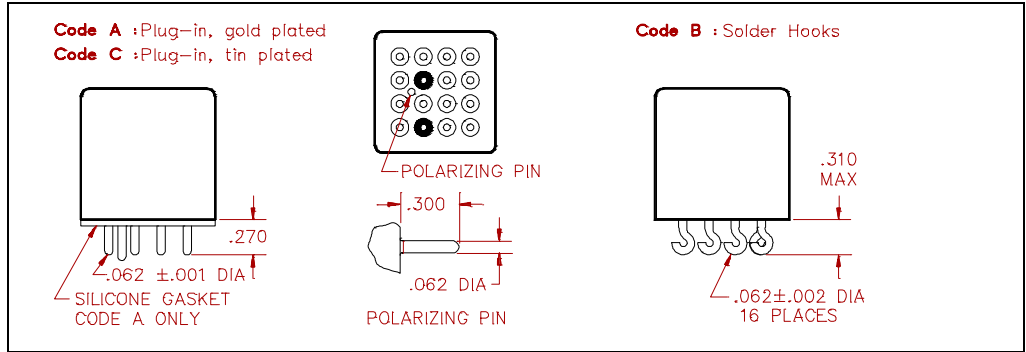


SCHEMATIC

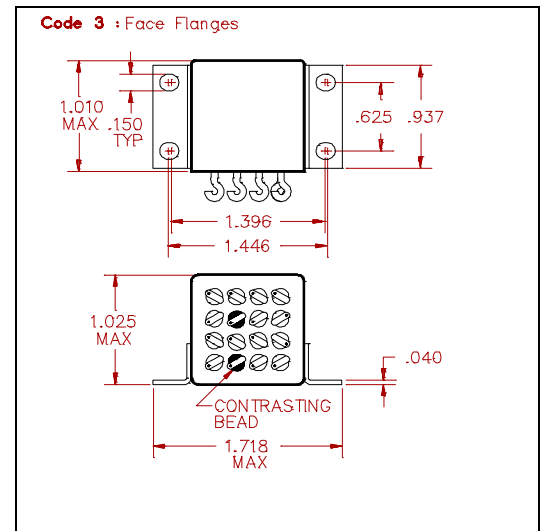
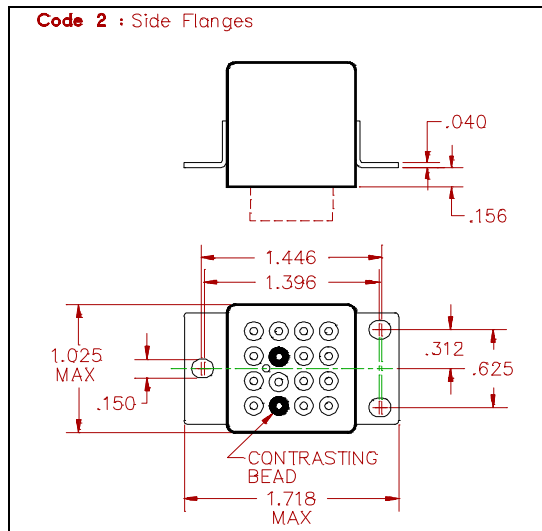
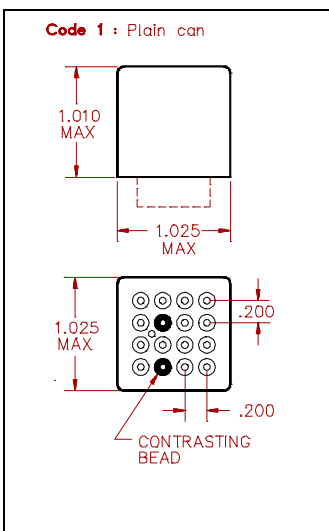
TERMINAL VIEW



TERMINAL STYLES



MOUNTING CODES



GENERAL NOTES

- Unless otherwise specified, all tests made at nominal coil voltages, @ 25°C.
- For special coil variations, switching configurations, terminals styles and mounting types, consult the factory.
- Unless otherwise specified, tolerances on decimal dimensions are ± .010".
- Specifications contained herein are subject to change without notice.