

MICRO SWITCH

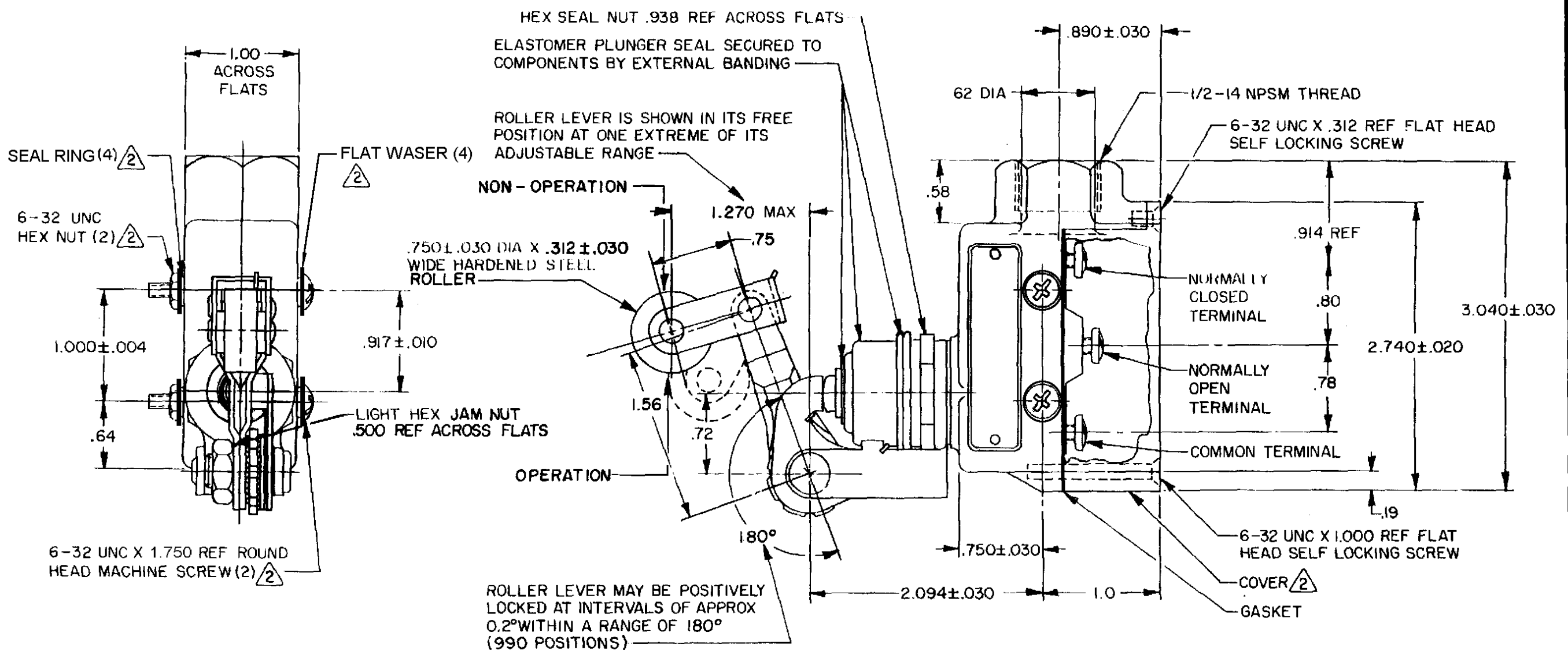
FREEDPORT ILLINOIS, U.S.A.
A DIVISION OF HONEYWELL

FED. MFG. CODE 91928

SWITCH-ENCLOSED

CATALOG LISTING
BZE6-2RN28-S

MIBZE6-2RN28-S
 DRAWING NUMBER
 ISSUE 7
 REPLACES PR-15394
 29AUG07 PSR
 24AUG06 CHECK DVM
 24AUG06 CHECK DVM
 0025947 CHECK
 30OCT06
 0033014
 29AUG07
 RASTER DRAWN
 J A S 23 FEB 87 CHECK GJH Z MAT 87
 J A S 23 FEB 87 CHECK GJH Z MAT 87



NOTES

- 1 - 6-32 UNC X .219 REF BINDING HEAD TERMINAL SCREW AND CUPWASHER (3)
- 2 - FURNISHED UNASSEMBLED
- 3 - ROLLER LEVER BRACKET ASSEMBLY MAY BE SET AT ANY POSITION AROUND AXIS OF PLUNGER
- 4 - SEAL RATING: NEMA 1,3,4
IP66

THIS DRAWING COVERS A PROPRIETARY ITEM AND IS THE PROPERTY OF MICRO SWITCH, A DIVISION OF HONEYWELL. THIS DRAWING IS NOT TO BE COPIED OR USED WITHOUT THE APPROVAL OF MICRO SWITCH		SCALE FULL
CHARACTERISTICS		DO NOT SCALE PRINT
OPERATING FORCE-----	8-20 OZ	TOLERANCES
RELEASE FORCE-----	6 OZ MIN	APPLIES TO DIMENSIONS UNLESS OTHERWISE SPECIFIED AND ONLY FOR REFERENCE UNLESS NOTED. TOLERANCES ARE IN INCHES
PRETRAVEL-----	.234 MAX	DIM. TOL. DIM. TOL.
DIFFERENTIAL TRAVEL-----	.006 MAX	INCHES MILLIMETERS
OVERTRAVEL-----	.219 MIN	0.001 0.0254
BASIC SWITCH REPLACEMENT-----	BZ-2RN702	0.002 0.0508
ELECTRICAL DATA		0.005 0.127
CONTACT ARRANGEMENT		0.010 0.254
SPDT		0.015 0.381
L74		0.020 0.508
15A 125, 250, OR 480VAC 2A 600 VAC		0.025 0.635
1/8 HP 125 VAC, 1/4 HP 250 VAC		0.030 0.762
1/2A 125 VDC, 1/4A 250 VDC		0.035 0.889
CE 1.5A, 240 Vac		0.040 1.016
WEIGHT .71 LB		0.045 1.143