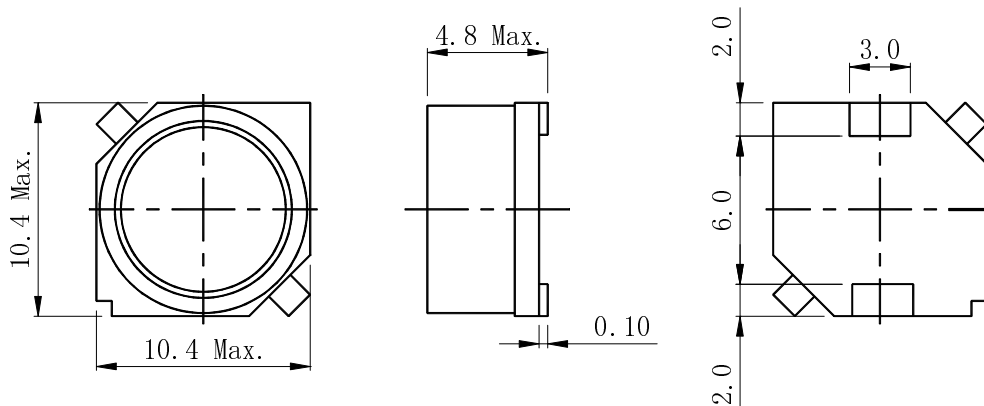


**Type: CDRR105**
**◆ Product Description**

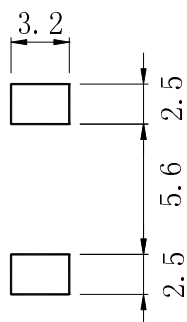
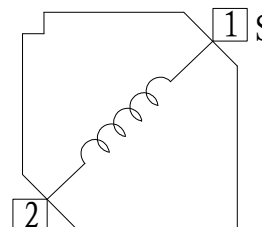
- 10.4×10.4mm Max. (L×W), 4.8mm Max. Height.
- Inductance range: 3.3~1500  $\mu$  H.
- Rated current range: 0.21~4.80A.
- Custom design is available.


**◆ Feature**

- Magnetically shielded construction.
- Operating temperature range: -40°C~+125°C(Including coil's self temperature rise).
- Ideally used as automotive components(engine control module).
- RoHS Compliance.

**◆ Dimensions (mm)**


- \* Dimensions without tolerance are approx.
- \* Dimension does not include solder used on coil.

**◆ Land Pattern (mm)**

**◆ Schematics (Bottom)**


**Type: CDRR105**
**◆ Specification**

Part No.	Stamp	Inductance ( $\mu$ H)	D.C.R. ( $\Omega$ ) Max.(Typ.) (at 20°C)	Saturation current (A) ※1		Temperature rise current (A) ※2
				(at 20°C)	(at 125°C)	
CDRR105NP-3R3N□	3R3	3.3±30%	21.0m(16.8m)	4.80(6.00)	3.76(4.70)	4.90(5.60)
CDRR105NP-5R6M□	5R6	5.6±20%	29.6m(23.7m)	3.52(4.40)	2.88(3.60)	3.90(4.50)
CDRR105NP-100M□	100	10±20%	47.5m(38.0m)	2.48(3.10)	1.92(2.40)	3.00(3.42)
CDRR105NP-150M□	150	15±20%	63.8m(51.0m)	2.00(2.50)	1.56(1.95)	2.71(3.08)
CDRR105NP-220M□	220	22±20%	77.5m(62.0m)	1.66(2.08)	1.30(1.62)	2.35(2.70)
CDRR105NP-330M□	330	33±20%	0.105(84.0m)	1.32(1.65)	1.00(1.25)	1.93(2.20)
CDRR105NP-470M□	470	47±20%	0.138(0.110)	1.12(1.40)	0.87(1.09)	1.70(1.92)
CDRR105NP-680M□	680	68±20%	0.195(0.156)	0.98(1.22)	0.70(0.87)	1.38(1.58)
CDRR105NP-101M□	101	100±20%	0.278(0.222)	0.80(1.00)	0.63(0.79)	1.16(1.33)
CDRR105NP-151M□	151	150±20%	0.425(0.340)	0.67(0.84)	0.52(0.65)	0.93(1.05)
CDRR105NP-221M□	221	220±20%	0.573(0.458)	0.51(0.64)	0.40(0.50)	0.76(0.87)
CDRR105NP-331M□	331	330±20%	0.848(0.678)	0.44(0.54)	0.34(0.42)	0.61(0.71)
CDRR105NP-471M□	471	470±20%	1.20(1.01)	0.38(0.48)	0.30(0.37)	0.54(0.62)
CDRR105NP-681M□	681	680±20%	1.82(1.52)	0.32(0.39)	0.24(0.30)	0.42(0.48)
CDRR105NP-102M□	102	1000±20%	2.71(2.26)	0.26(0.32)	0.20(0.24)	0.32(0.37)
CDRR105NP-152M□	152	1500±20%	4.00(3.33)	0.21(0.26)	0.16(0.20)	0.27(0.32)

**※ Description of part name**

CDRR105NP-3R3N□  
 └── B Box  
 └── C Carrier Tape

※1.Saturation Current: The DC current at which the inductance decreases by 10% of its nominal value.

※2.Temperature rise current: The DC current at which the temperature rise is  $\Delta t=40^{\circ}\text{C}$  ( $T_a=20^{\circ}\text{C}$ ).