

EC-05 Series 0.5mm Spacing (Easy Flip Lock Type)



FPC / FFC Connectors

Features

1. The wire-fixation lever is of our own easy flip lock system where the locking action is completed by sliding the cover with the rotating lever, resulting in better operability (a structure where the cover moves in conjunction with the lever).
2. The contact section is made of a slider structure least susceptible to warping. High level reliability is ensured even for multi-pole design.
3. Upon request, it is possible to provide a structure whereby unintended disconnection of FPC/FFC can be protected and insufficient insertion prevented.
4. A lead-free product < * () excepted >.

Specifications

1. Rating : 0.5A, 50V AC/DC
2. Contact Resistance : 30mΩ, max.
3. Insulation Resistance : 100MΩ, min. at 100V DC
4. Withstanding Voltage : 100V AC for one minute
5. Operating Temperature Range : -30°C to +105°C

Material and Plating

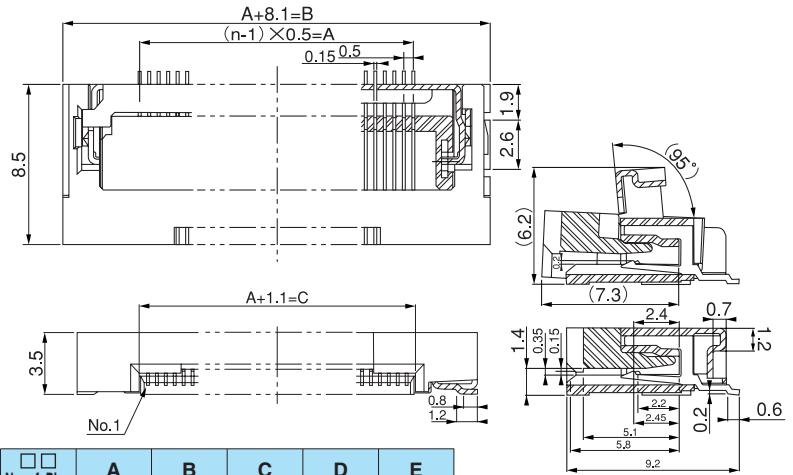
- Housing : Liquid Crystal Polymer (LCP), Natural Color
- Cover : Polyphenylene Sulfide (PPS), Natural Color
- Lever : Steel Use Stainless

● CFP64 - 3

Mechanical locking system of FPC
0 : With
5 : Without

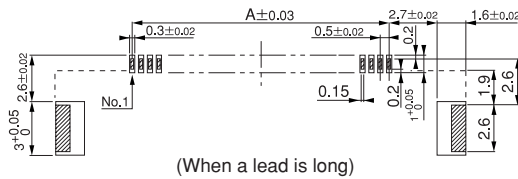
No. of Pins

	Finish	
	Contact	Soldering
52F	Au	Au
*(51G)	(Au)	(Sn-Pb)
*(70G)	(Sn-Pb)	(Sn-Pb)

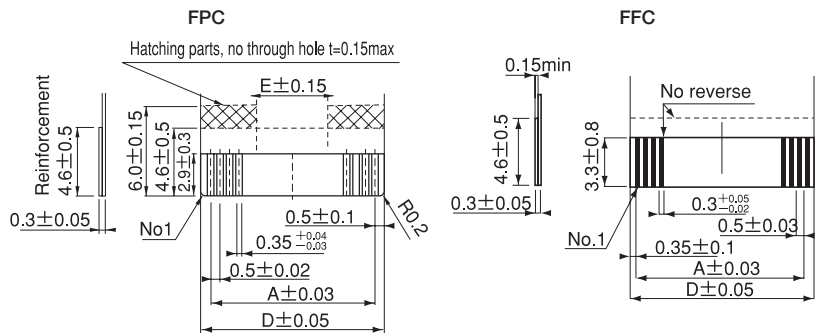


No. of Pins	A	B	C	D	E
50	24.5	32.6	25.6	25.5	18.5
60	29.5	37.6	30.6	30.5	21.5
80	39.5	47.6	40.6	40.5	27.5

P.C. Board Dimension



Applicable FPC/FFC Dimension (t=0.3±0.05mm)



* (FPC plating (Sn-Pb) to recommend
Finish Sn : Pb=9 : 1 ,
Thickness 1~5μm)