

13P Connector with Lock



Features

1. The connector is applicable to a large current.
2. It can be plugged into a receptacle on a single touch basis.
3. It is shielded.

Specifications

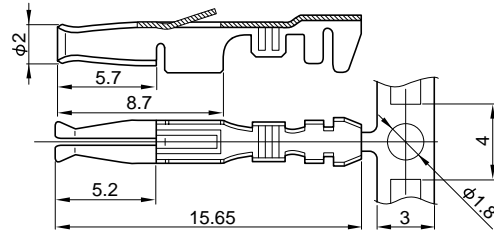
1. Rating : 3A 30V DC
2. Contact Resistance : 30mΩ max.
3. Insulation Resistance : 100MΩ min. at 100V DC
4. Withstanding Voltage : 250V AC for one minute
5. Operating Temperature Range : -30°C to +80°C

Material and Plating

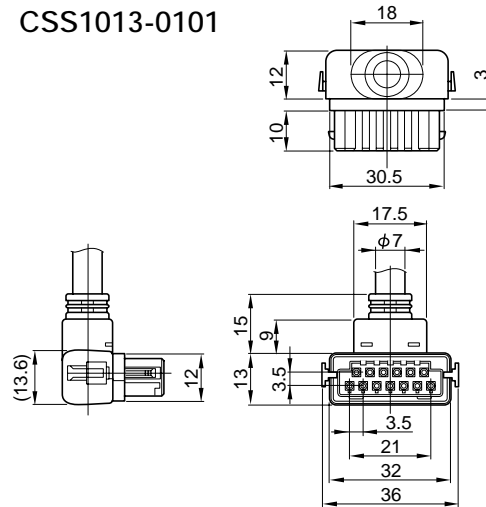
- Socket
 - Housing : Polycarbonate (Black) 94V-0
 - Terminal : Copper Alloy Silver Plating
 - Ground Terminal : Copper Alloy Nickel Plating
- Plug
 - Housing : Polybutylene Terephthalate (Black) 94V-0
 - Contact : Copper Alloy Silver Plating
 - Ground Terminal : Copper Alloy Tin-lead Plating

Terminal

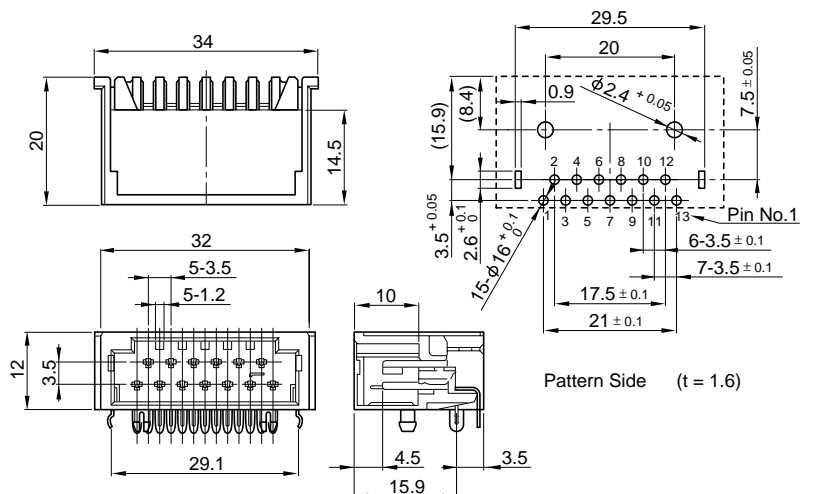
Part No.	Applicable Electrical Wire Size (AWG)	Electrical Wire Sheath Dia. (mm)	Material	Plating	No. of Terminal/Reel
CTA1118-0401	20~24	φ2.2~1.3	Copper Alloy	Silver Plating	6,000
CTA1118-0402	24~28	φ1.7~0.8	Copper Alloy	Silver Plating	8,000



Socket CSS1013-0101



Plug CSC5013-0101



PC Board Dimension

Pattern Side (t = 1.6)