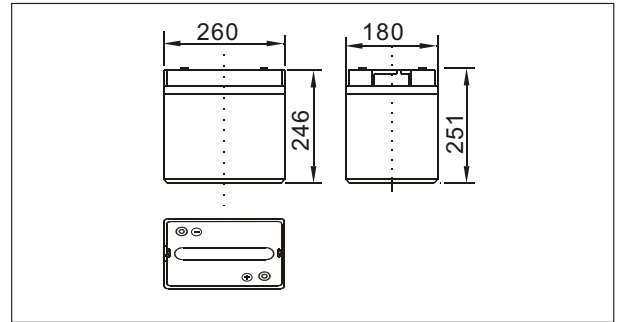




SW61800E(6V180AH)



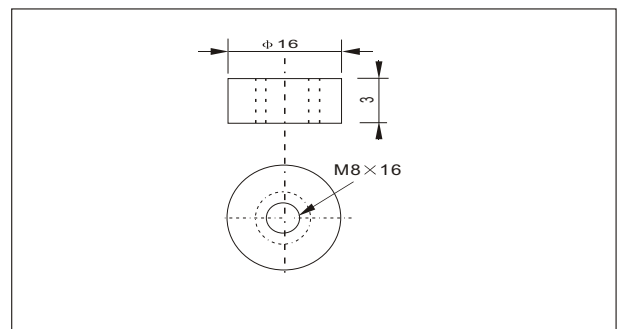
Outer dimensions (mm)



Specifications

Nominal Voltage	6V	
Rated capacity (10 hour rate)	180 Ah	
Dimensions	Total Height	251mm (9.88 inches)
	Height	246 mm (9.68 inches)
	Length	260 mm (10.2 inches)
	Width	180mm (7.09 inches)
Weight Approx	29Kg (63.8 lbs)	

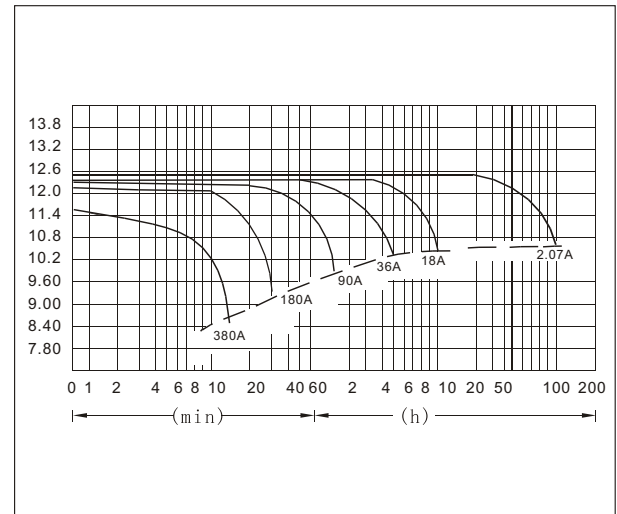
Terminal Type (mm)



Characteristics

Capacity 25°C(77°F)	10 hour rate(18.0A)	180 AH
	5 hour rate(28.8A) 1 hour rate(99A)	144 AH 99 AH
Internal Resistance	1.5 hour discharge to 5.25V	72 A
	Full charged Battery at 25°C(77°F)	2m Ω
Capacity affected by Temperature (10hour rate)	40°C(104°F)	102%
	25°C(77°F)	100%
	0°C(32°F)	85%
	-15°C(5°F)	65%
Self-Discharge at 25°C(77°F)	Capacity after 3 month storage	91%
	Capacity after 6 month storage	82%
	Capacity after 12 month storage	64%
Terminal		T19
Charge (constant Voltage)	Cycle	Initial Charging Current less than 45 A Voltage 7.05-7.2V
	Float	Voltage 6.75-6.90V

Discharge Curves 25°C(77°F)



Constant Current(Amp) and Constant Power(Watt) Discharge Table at 25°C(77°F)

Time		10min	30min	1h	3h	4h	5h	8h	10h	20h	50h	100h
4.80V	A	380	205	108	46.3	36.0	29.7	20.9	18.9	10.21	4.25	2.18
	W	4218	2198	1251	536	417	344	242	219	118.2	50.6	25.9
5.10V	A	369	200	101.5	45.0	35.1	29.2	20.5	18.4	9.95	4.10	2.12
	W	4056	2178	1176	521	406	338	237	213	115.3	48.8	25.2
5.25V	A	353	190	98	43.9	34.6	28.8	20.3	18.0	9.83	4.03	2.07
	W	3931	2056	1138	509	400	334	236	211	113.8	48.1	24.7
5.40V	A	329	184	95	42.8	34.0	28.1	19.8	17.6	9.72	3.96	2.05
	W	3778	1978	1088	499	392	327	230	210	113.1	47.2	24.5
5.55V	A	302	169	89	41.4	33.0	27.4	19.3	17.10	9.23	3.89	1.98
	W	3713	1962	1060	493	390	326	229	203	109.9	46.3	23.6