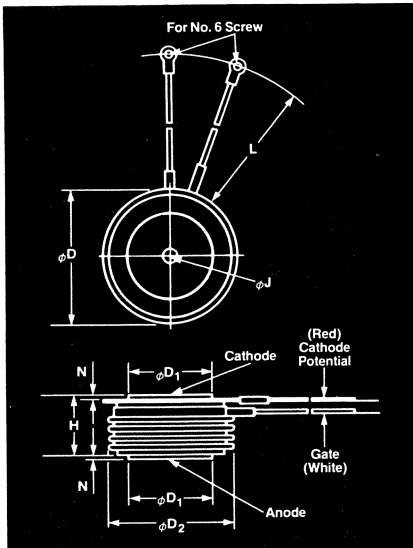


Fast Switching SCR T82F

650A Avg.
(1000A RMS)
Up to 1200 Volts
15-50 μ sec



Symbol	Inches		Millimeters	
	Min.	Max.	Min.	Max.
ϕD	2.250	2.290	57.15	58.17
ϕD_1	1.333	1.343	33.86	34.11
ϕD_2	2.030	2.090	51.56	53.09
H	1.020	1.060	25.91	26.92
ϕJ	.135	.145	3.43	3.68
J_1	.075	.090	1.91	2.29
L	7.75	8.50	196.85	215.90
N	.040		1.02	

Creep Distance—1.00 in. min. (25.40 mm).
Strike Distance—.69 in. min. (17.53 mm).
(In accordance with NEMA standards.)
Finish—Nickel Plate.
Approx. Weight—8 oz. (227 g).
Dimension "H" is a clamped dimension.



T82 Outline

Features:

- Interdigitated, di/namic Gate structure
- Hard Commutation Turn-Off
- Forward Blocking Voltage Capabilities to 1200 Volts
- Low Switching Losses at High Frequency
- Soft Commutation (Feedback Diode) Testing Available
- High di/dt with soft gate control

Applications:

- Induction Heating
- Transportation
- Inverters
- Crowbars
- Cycloconverters

Ordering Information

Type	Voltage		Current		Turn-off		Gate current		Leads	
	Code	V_{DRM} and V_{RRM} (V)	$I_{T(av)}$ (A)	Code	t_q μ sec	Code	I_{GT} (ma)	Code	Case	Code
T82F		100	650	65	15	7	200	3	T82	DN
		200			20	6				
		300			25	5				
		400			30	5				
		500			40	4				
		600			50	3				
		700			100	K				
		800								
		900								
		1000								
		1100								
		1200								

1400 14

Example: Obtain optimum device performance for your application by selecting proper Order Code.

Type T82F rated at 650 A average with $V_{DRM} = 1000V$, $I_{GT} = 200$ ma, $t_q = 30 \mu$ sec max. and leads—order as:

Type	Voltage	Current	Turn Off	Gate Current	Leads
T 8 2 F	1 0	6 5	5	3	D N

**650A Avg.
(1000A RMS)
Up to 1200 Volts
15-50 μ sec**

**Fast Switching
SCR
T82F**

Voltage ②

Blocking State Maximums ($T_J = 125^\circ\text{C}$) **Symbol**

Repetitive peak forward blocking voltage, V V_{DRM}
 Repetitive peak reverse voltage, V V_{RRM}
 Non-repetitive transient peak reverse voltage,
 $t \leq 5.0$ msec, V V_{RSM}
 Forward leakage current, mA peak I_{DRM}
 Reverse leakage current, mA peak I_{RRM}

100	200	300	400	500	600	700	800	900	1000	1100	1200
100	200	300	400	500	600	700	800	900	1000	1100	1200
200	300	400	500	600	700	800	900	1000	1100	1200	1300

←----- 45 -----→
 ←----- 45 -----→

Current

Conducting State Maximums
($T_J = 125^\circ\text{C}$)

Symbol	T82F __ 65
RMS forward current, A I_T (rms)	1000
Ave. forward current, A I_T (av)	650
One-half cycle surge current ③, A I_{TSM}	8500
I^2t for fusing (for times ≥ 8.3 ms) A ² sec I^2t	300,000
Forward voltage drop at $I_{TM} = 1500A$ and $T_J = 25^\circ\text{C}$, V V_{TM}	2.2
Min. repetitive di/dt ④⑤ A/ μ sec di/dt	400

Switching

($T_J = 25^\circ\text{C}$)

Symbol	
Max. turn-off time, $I_T = 1000A$, $T_J = 125^\circ\text{C}$, $t_p = 100 \mu\text{sec}$, $di/dt = 50$ A/ μ sec., reapplied $dv/dt =$ 400 V/ μ sec linear to 0.8 V_{DRM} , μsec . ⑥⑦ t_q	15 to 50
Typ. delay time, $I_{TM} = 1000A$ $T_D = .8 V_{DRM}$ ⑧, μsec t_d	.5
Min. critical dv/dt exponential to 8 V_{DRM} $T_J = 125^\circ\text{C}$, V/ μ sec ②⑤ dv/dt	400
Min. di/dt non-repetitive, A/ μ sec ④⑤⑥ di/dt	1000

Gate

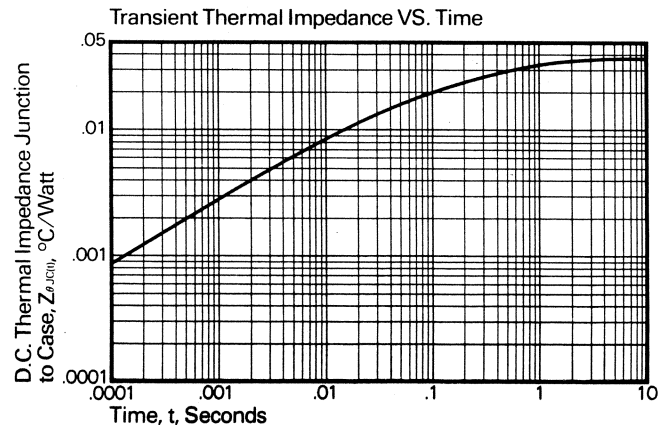
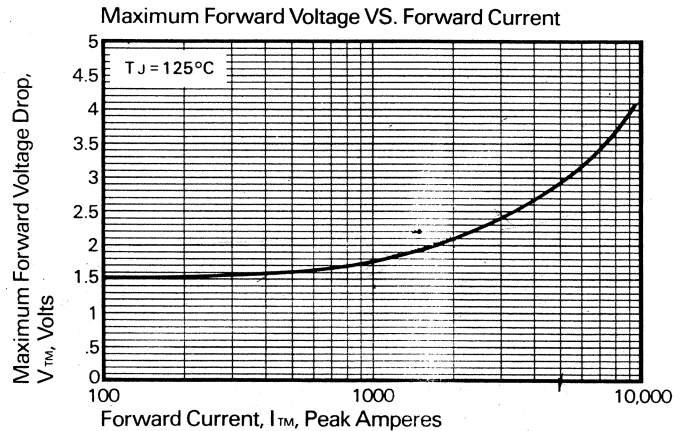
Maximum Parameters
($T_J = 25^\circ\text{C}$)

Symbol	
Gate current to trigger at $V_D = 12V$, mA I_{GT}	200
Gate voltage to trigger at $V_D = 12V$, V V_{GT}	3
Non-triggering gate voltage, $T_J = 125^\circ\text{C}$, and rated V_{DRM} , V V_{GDM}	.25
Peak forward gate current, A I_{GTM}	4
Peak reverse gate voltage, V V_{GRM}	5
Peak gate power, Watts P_{GM}	16
Average gate power, Watts $P_{G(av)}$	3

Thermal and Mechanical

Symbol	
Min., Max. oper. junction temp., $^\circ\text{C}$ T_J	-40 to +125
Min., Max. storage temp., $^\circ\text{C}$ T_{stg}	-40 to +150
Max. mounting force, lb. ①	3600 to 4000
Thermal resistance ①, double- side cooling, junction to case, $^\circ\text{C}/\text{Watt}$ $R_{\theta JC}$.037
Case to sink, lubricated, $^\circ\text{C}/\text{Watt}$ $R_{\theta CS}$.02

3000 to 3500



- ① Consult recommended mounting procedures.
- ② Applies for zero or negative gate bias.
- ③ Per JEDEC RS-397, 5.2.2.1.
- ④ With recommended gate drive.
- ⑤ Higher dv/dt ratings available, consult factory.
- ⑥ Per JEDEC standard RS-397, 5.2.2.8.
- ⑦ For operation with antiparallel diode, consult factory.

FAST SWITCHING
THYRISTORS